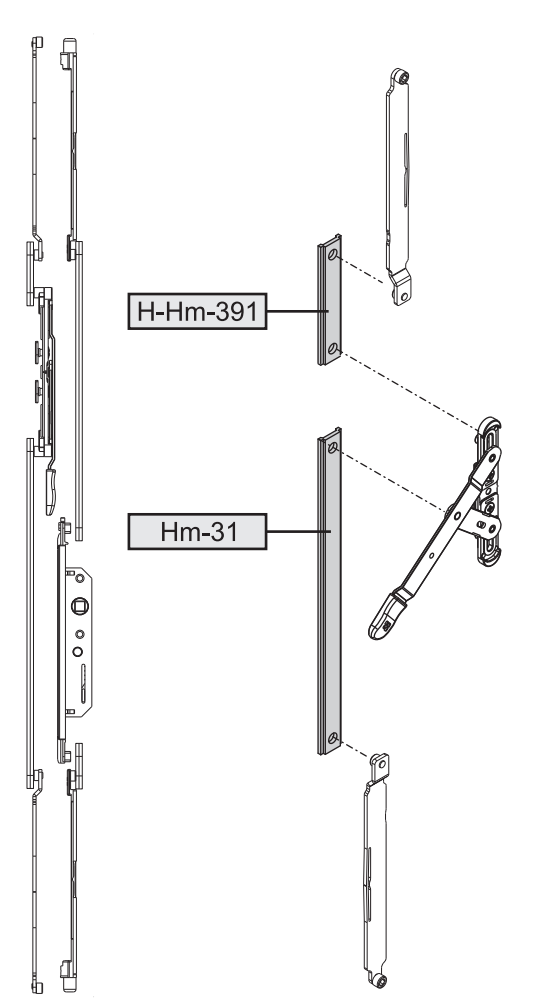
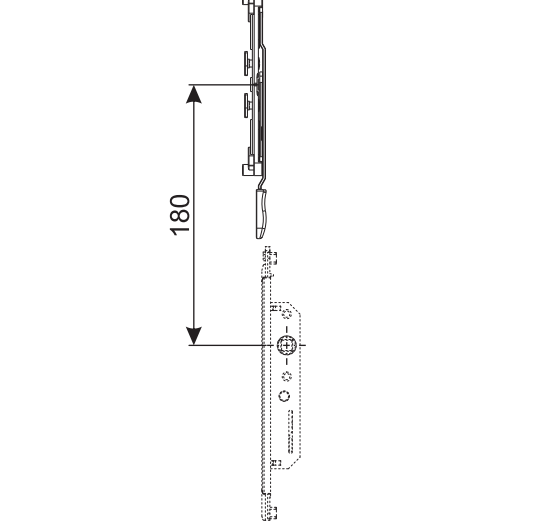
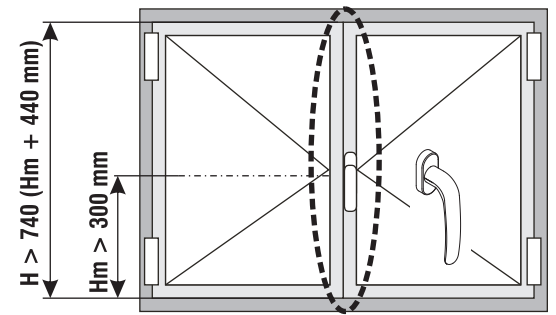
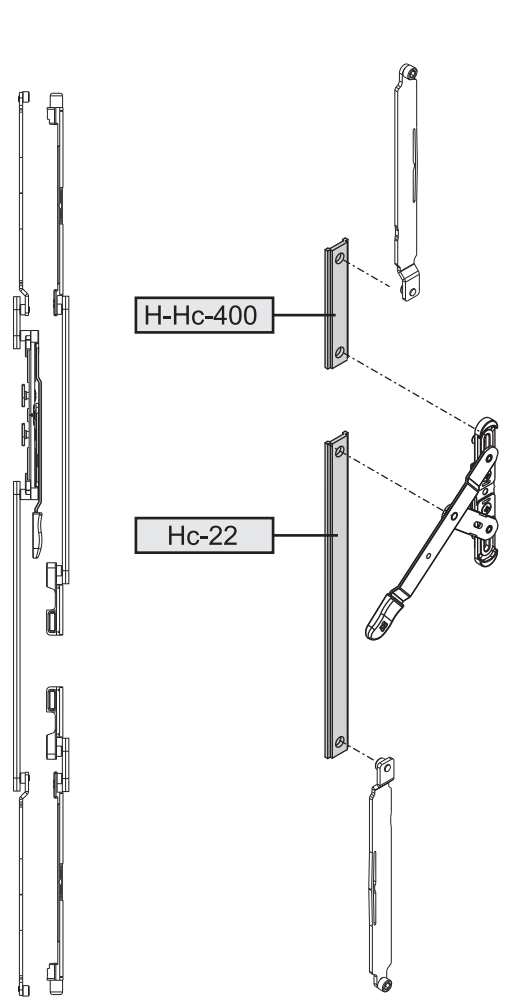
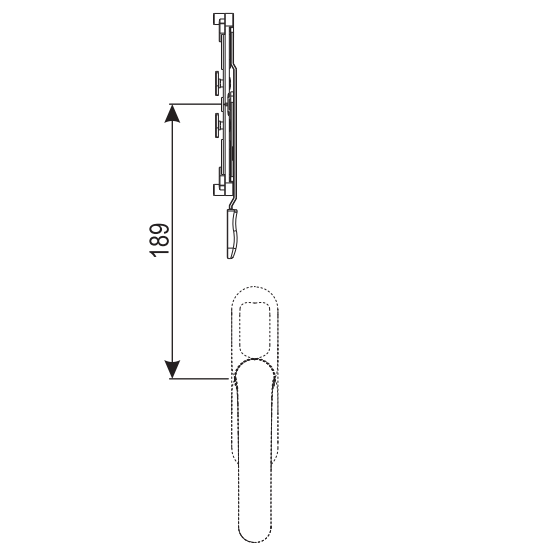
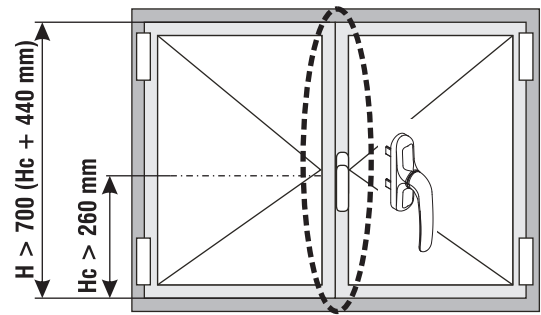
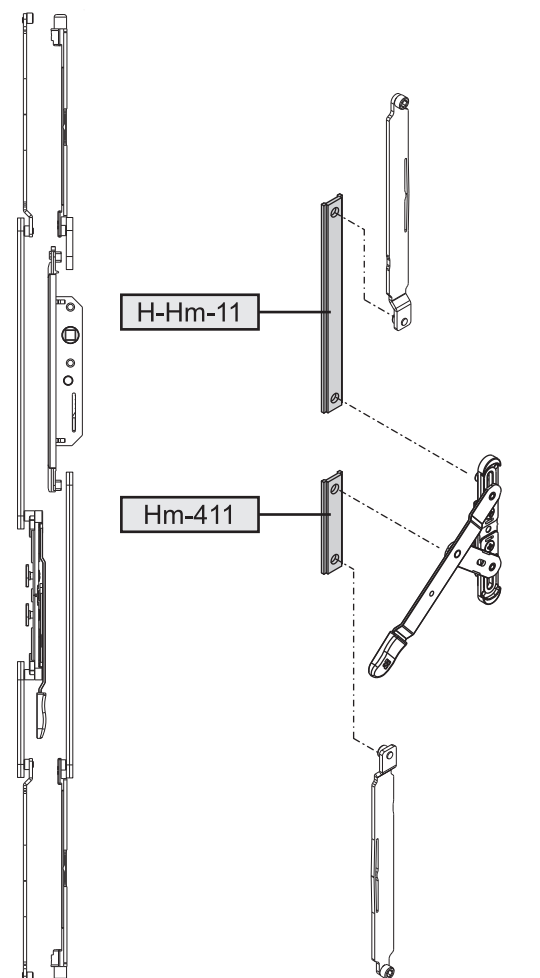
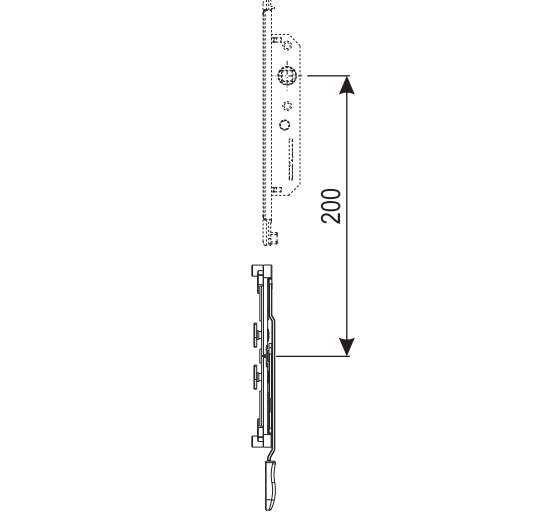
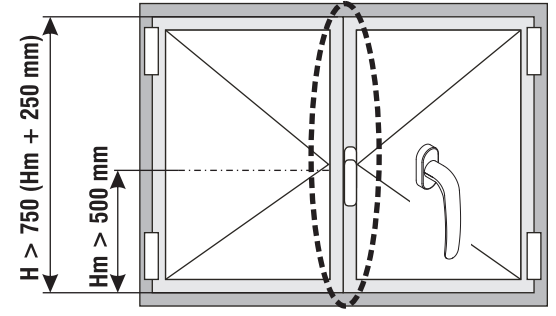
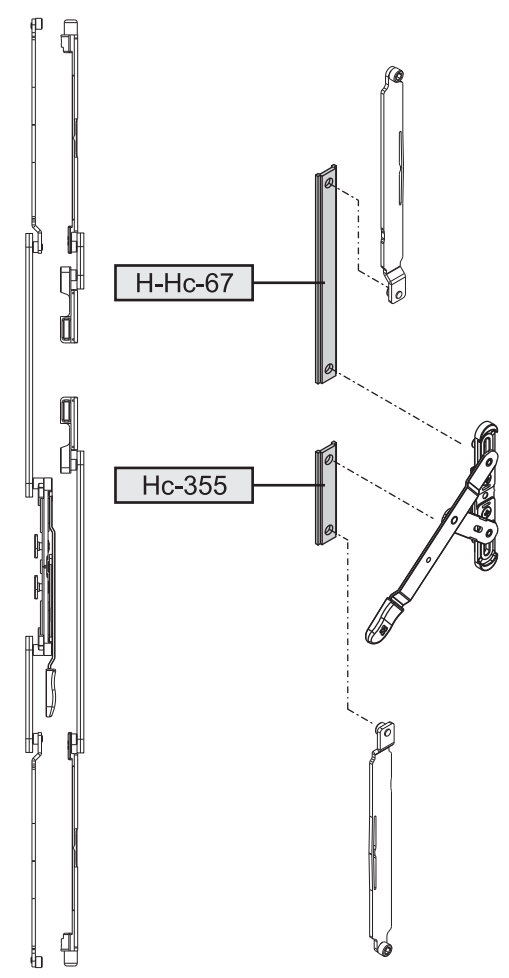
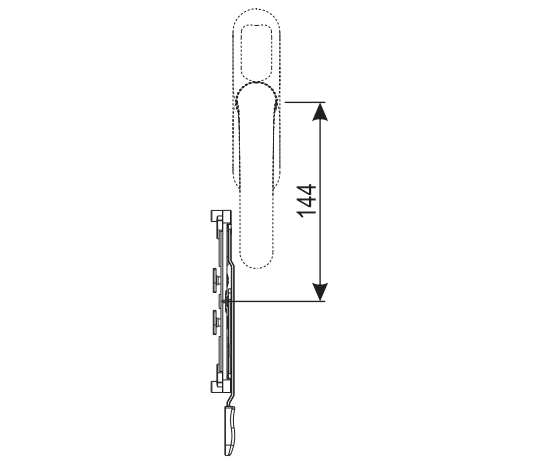
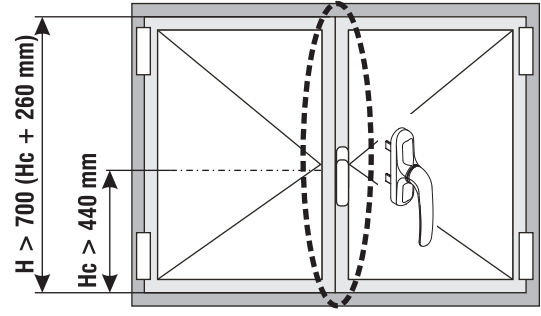
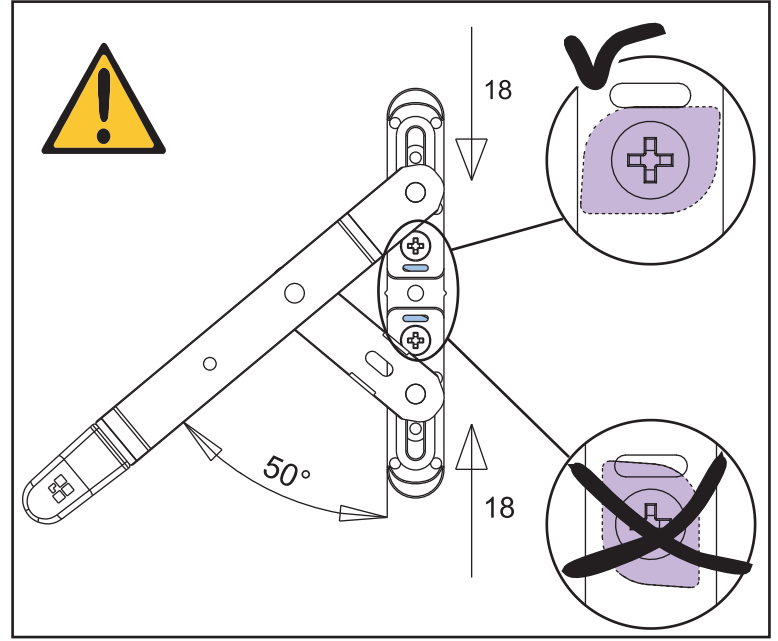
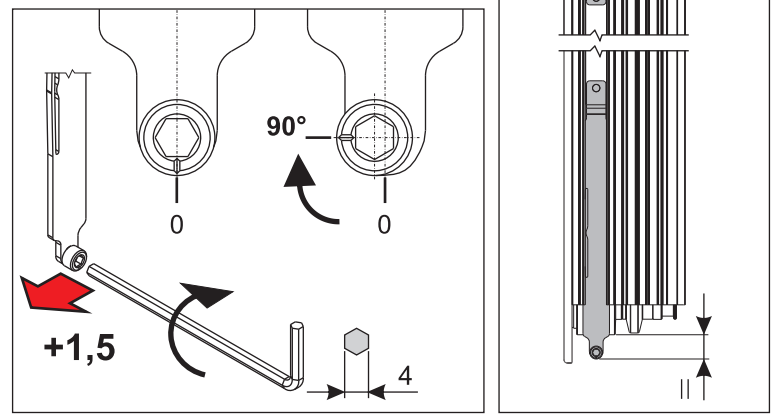
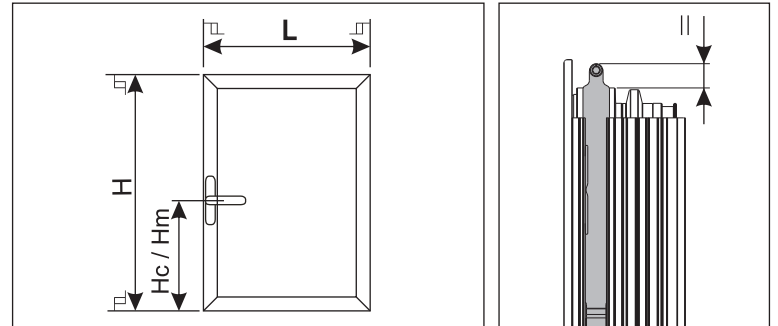
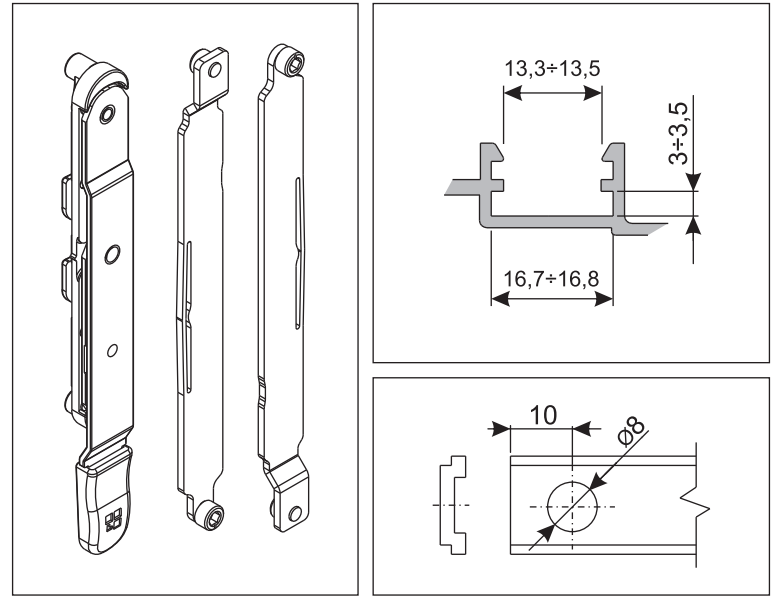
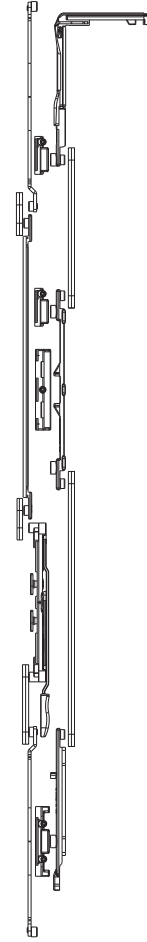
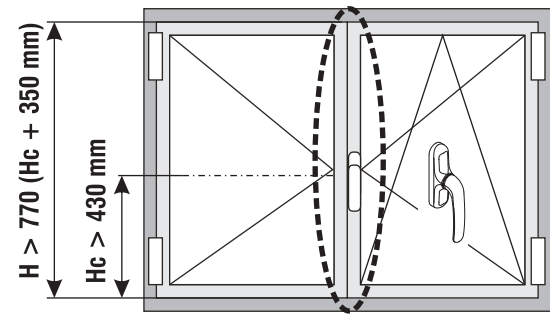


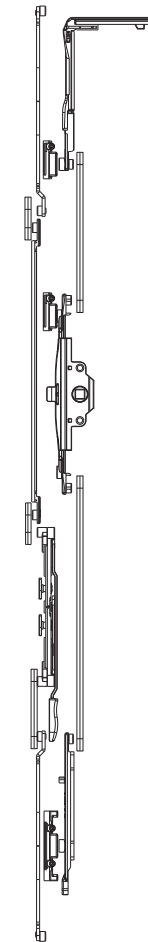
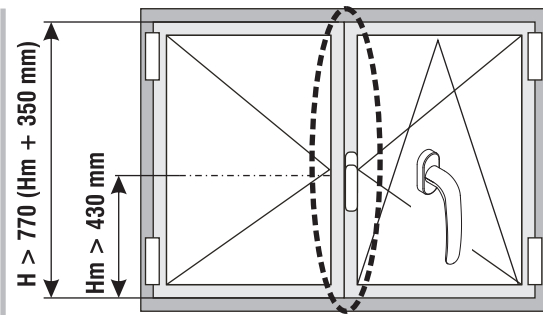
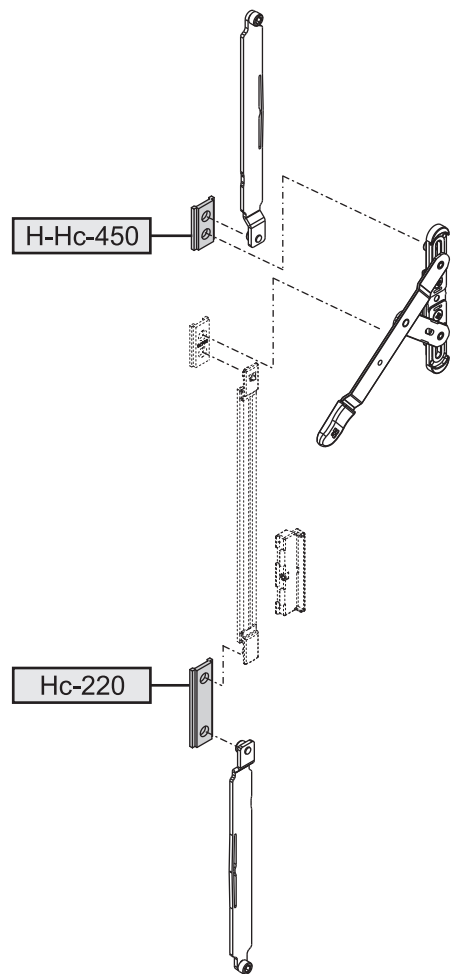
10301000/09-2012





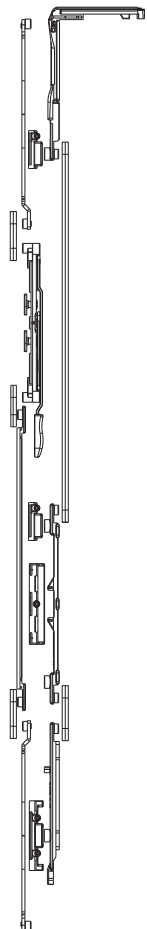
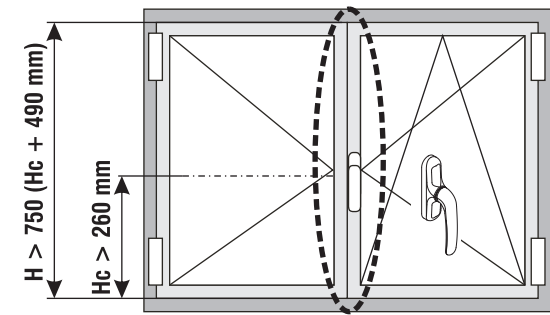
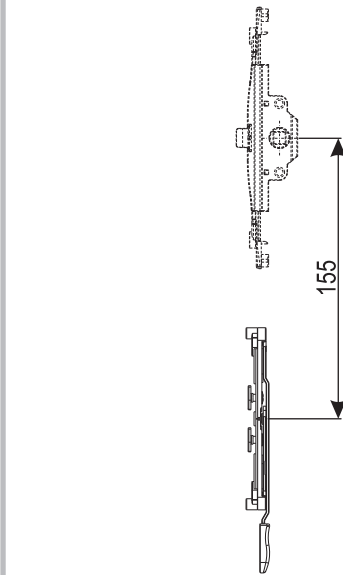
H-Hc-305

Hc-365



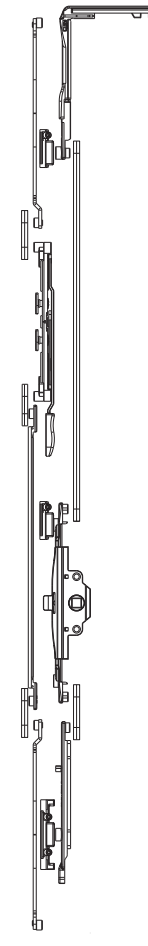
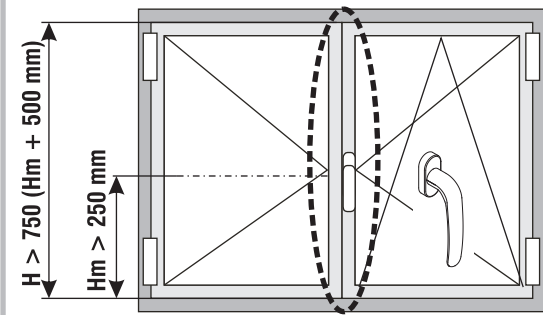
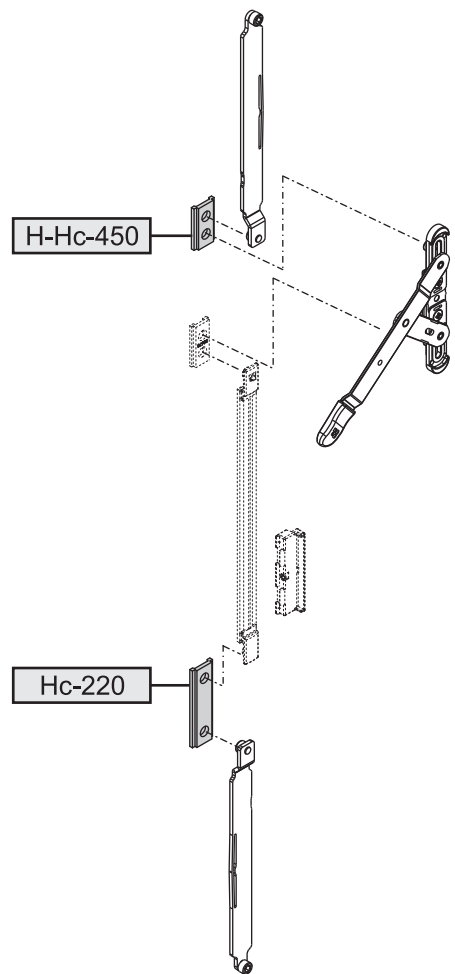
H-Hm-305

Hm-365



H-Hc-450

Hc-220



H-Hm-460

Hm-210

