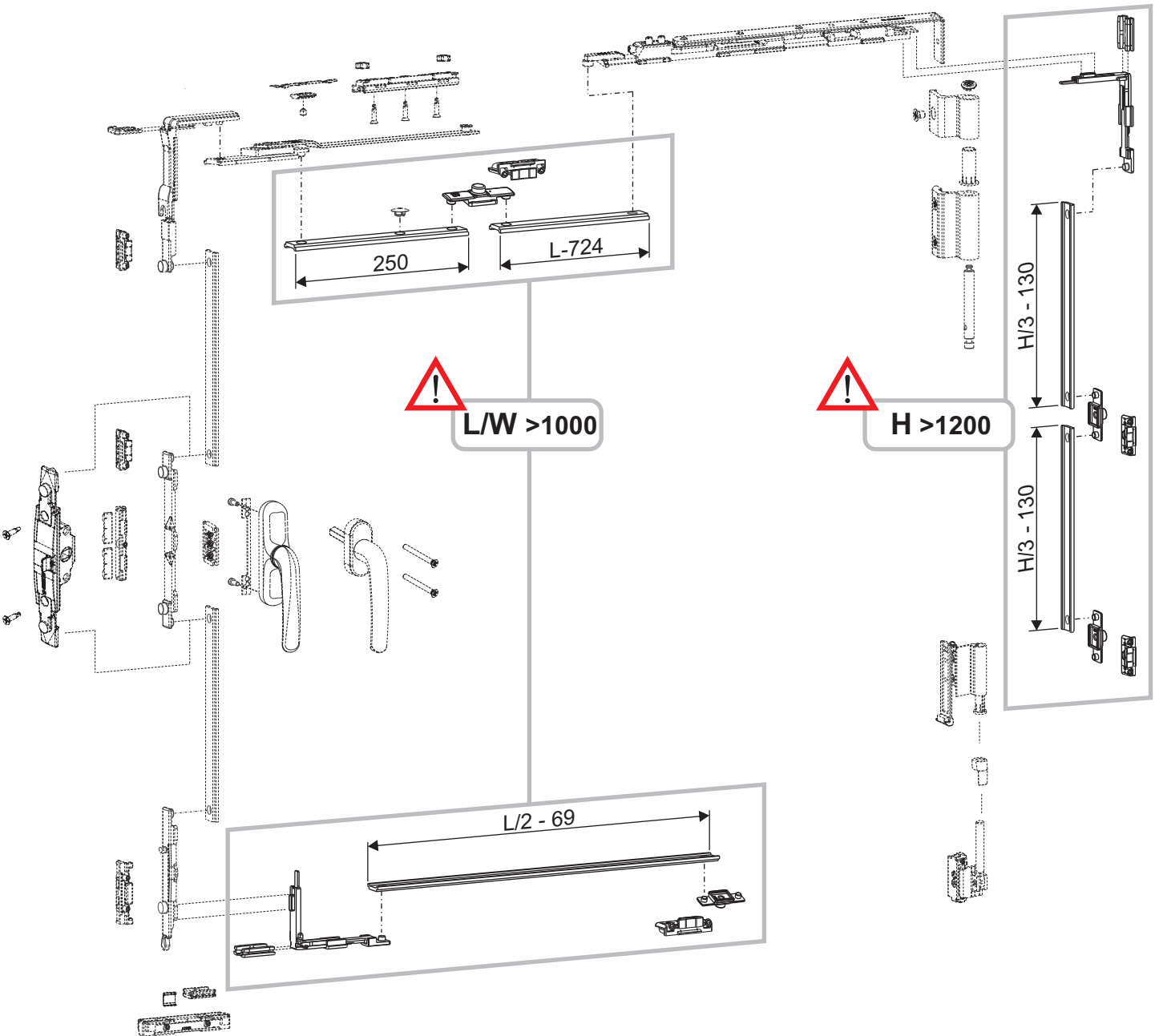
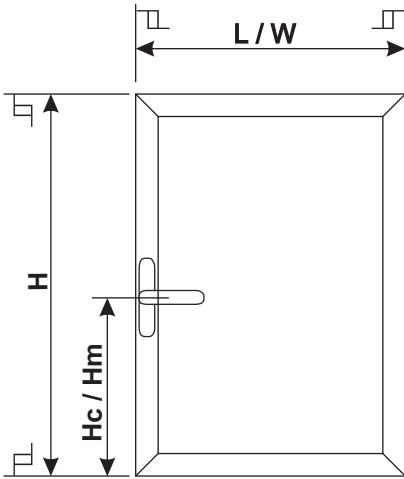


CLASSIC 3D
80

CLASSIC 3D
80 micro

$H_c \geq 250$
 $H_m \geq 285$





$H_c \geq 250$
 $H_m \geq 285$

