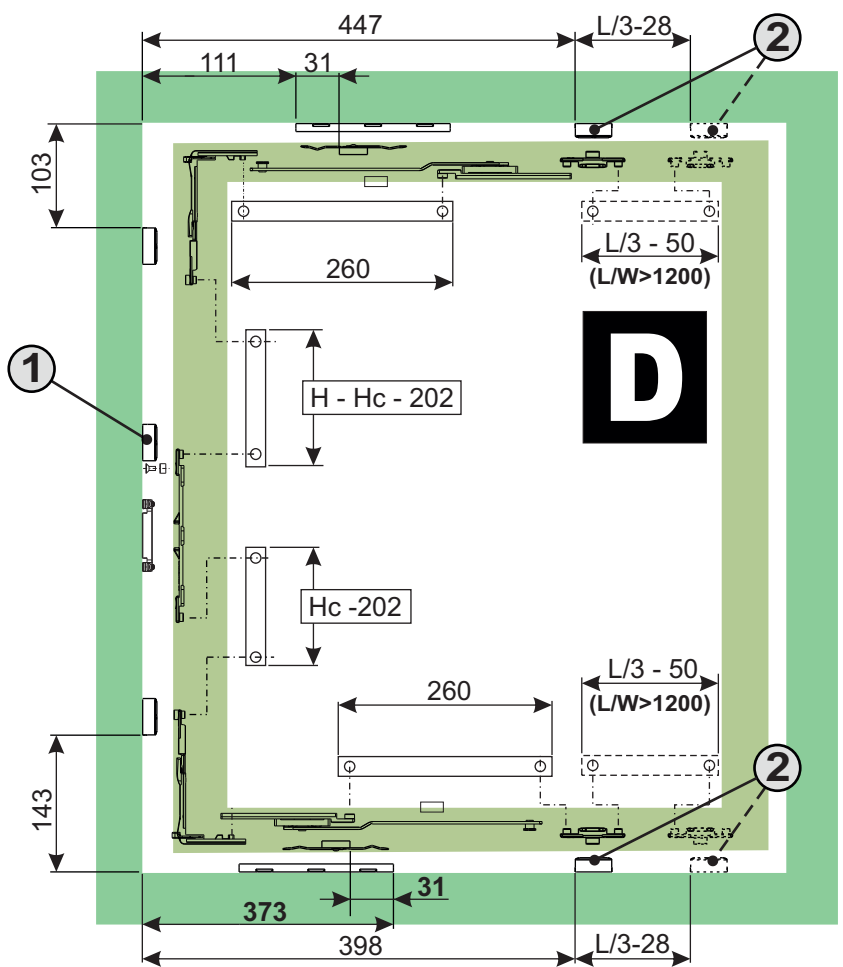
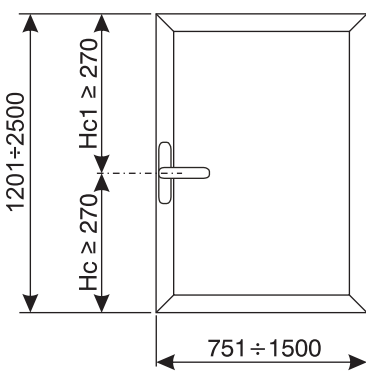


2

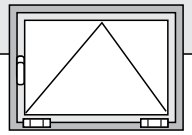
x 2
(x 4 L > 1200)



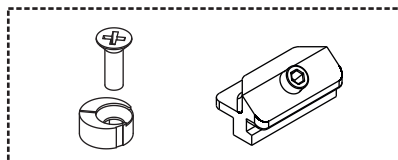
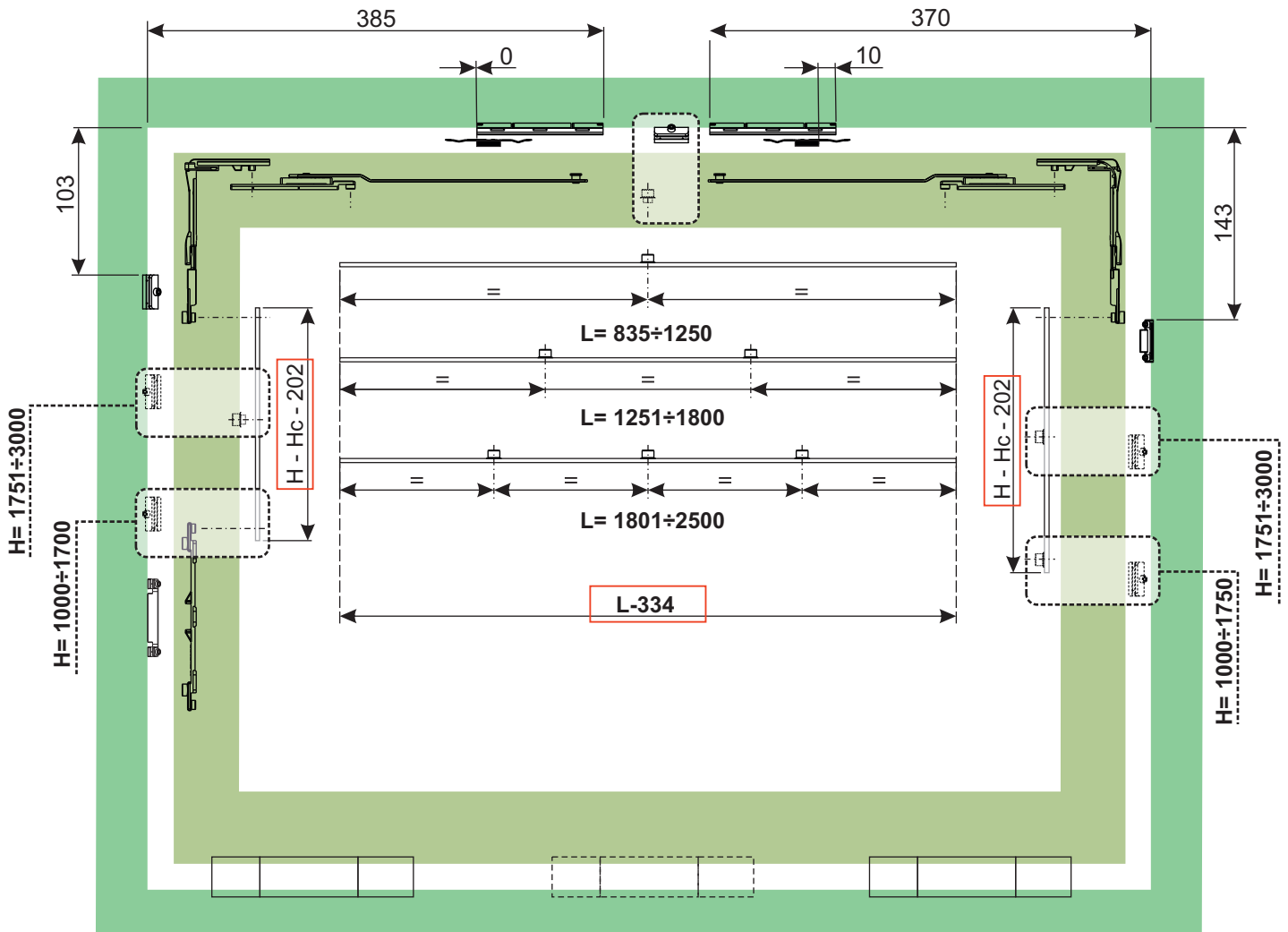
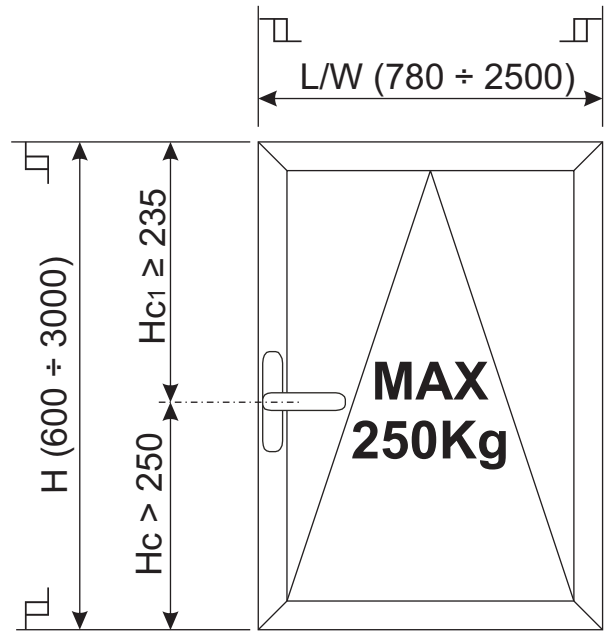
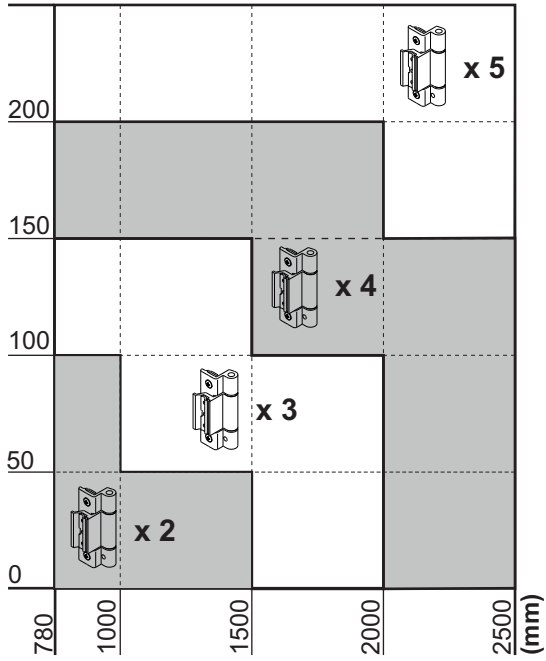
1

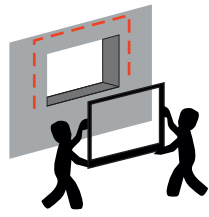
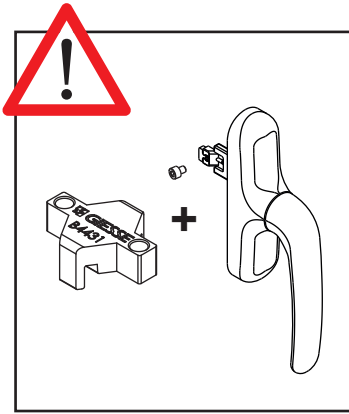
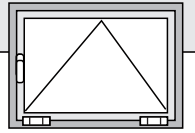
2

x 3
(x 5 L > 1200)

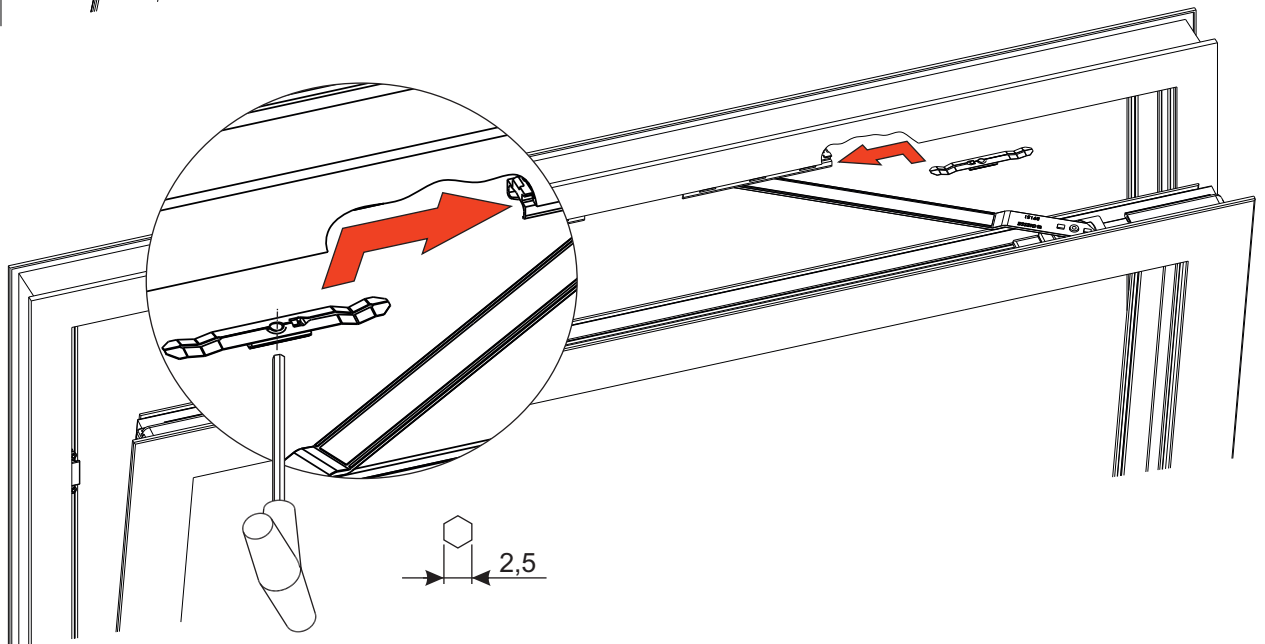
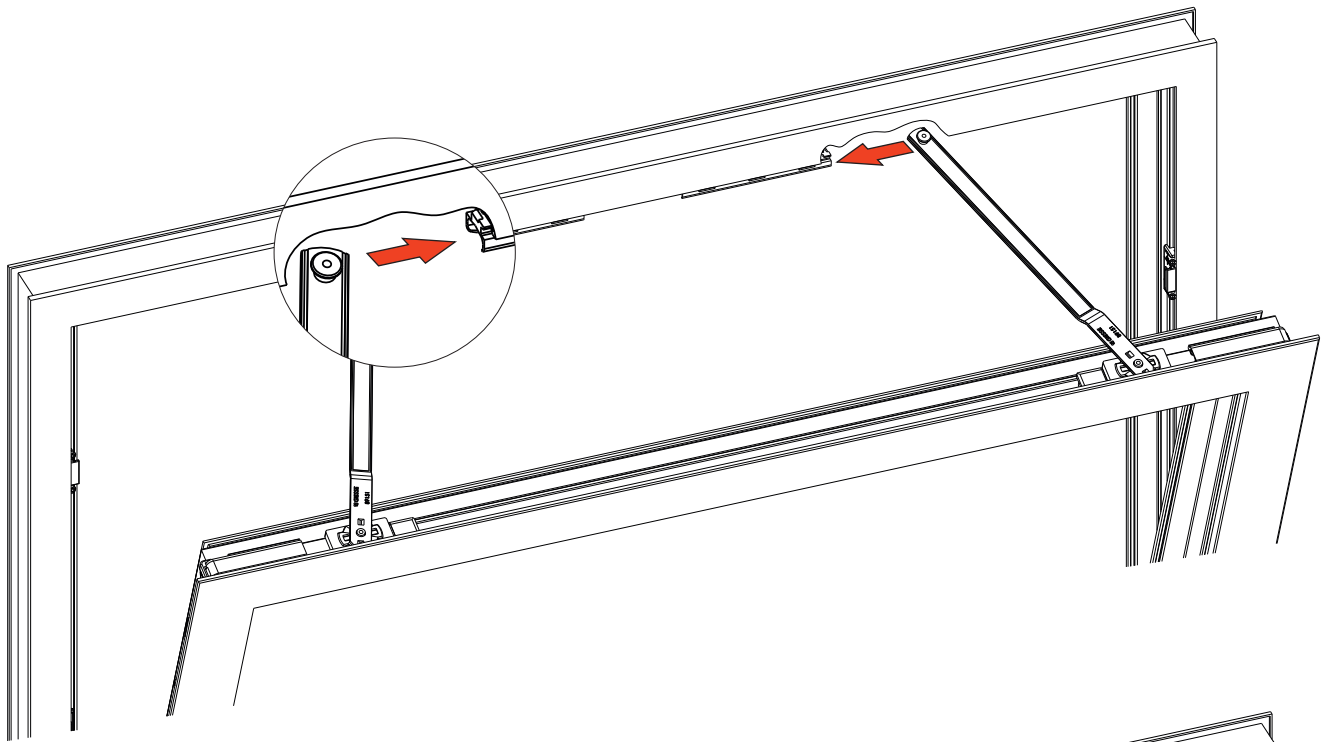
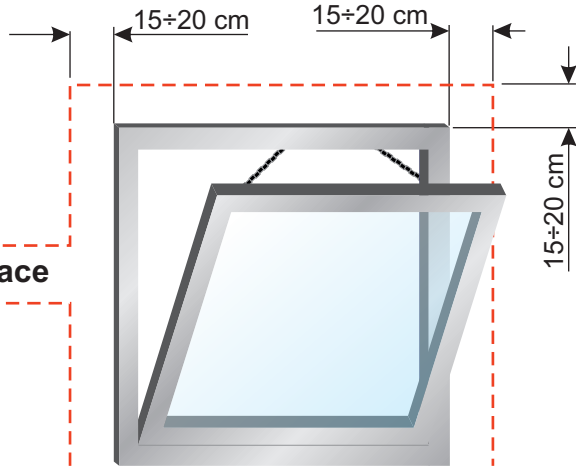


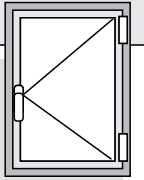
250 (Kg)



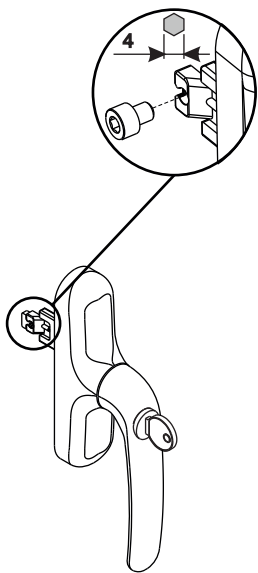
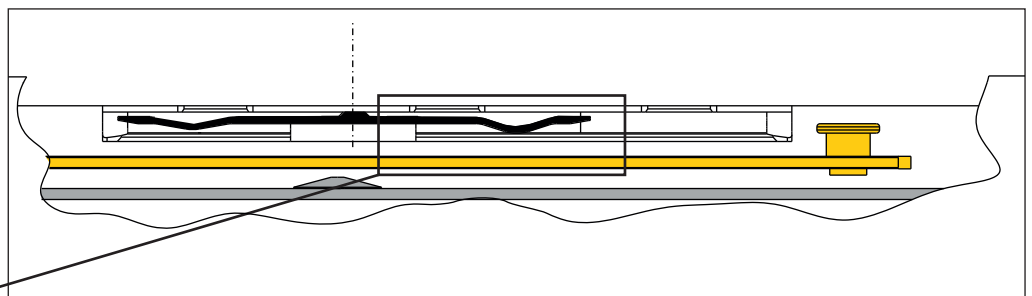
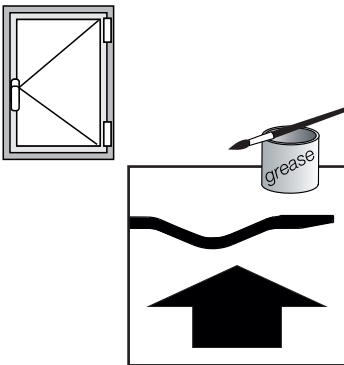
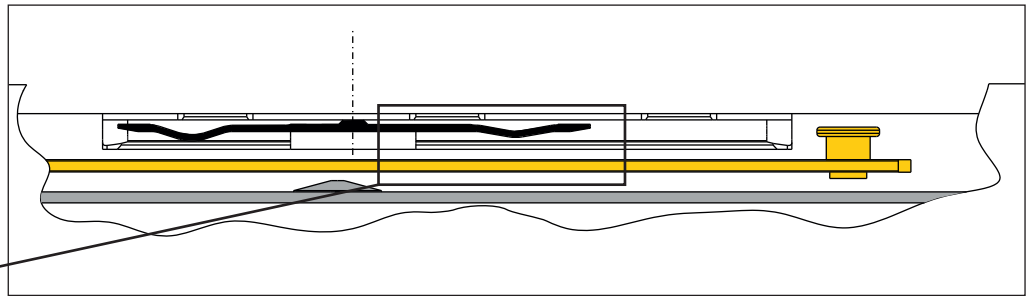
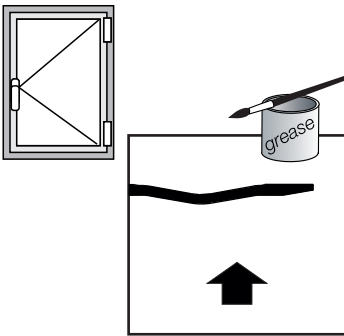
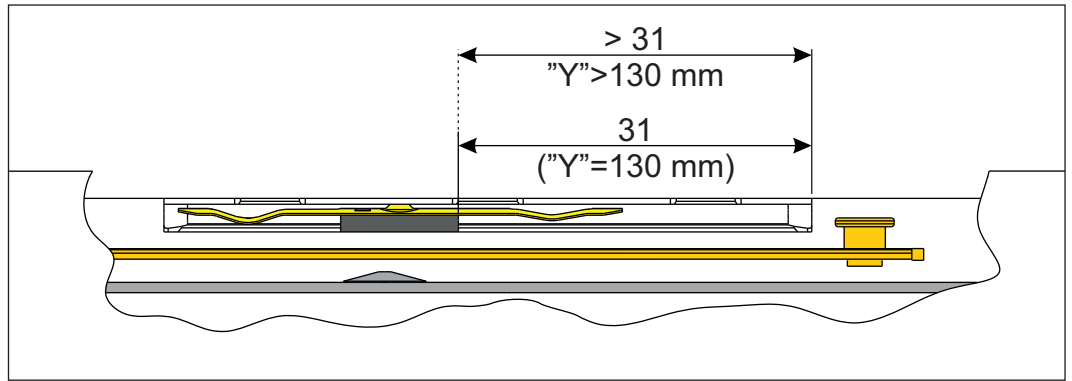
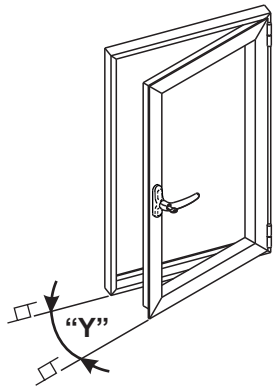


Working space





REGOLAZIONI E INDICAZIONI PER LA POSA IN OPERA
REGULACIONES E INDICACIONES PARA LA COLOCACIÓN
INSTALLATION REGULATIONS AND INDICATIONS - EINSTELLUNGEN UND MONTAGEHINWEISE
REGLAGES ET INDICATIONS POUR LA POSE



| | | |
|----------|----------|----------|
| 1 | 2 | 3 |
| | | |
| | | |