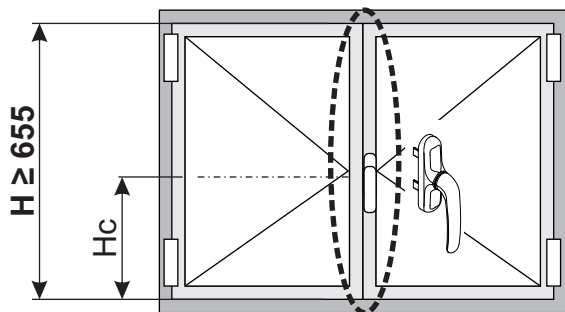
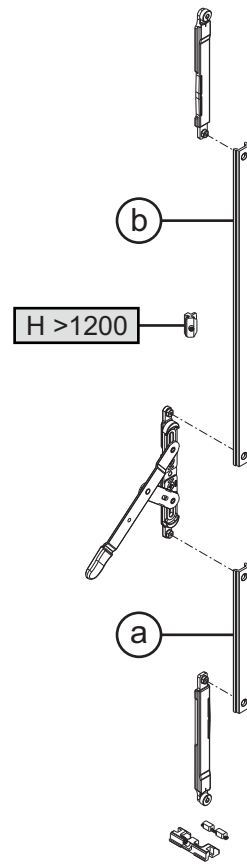
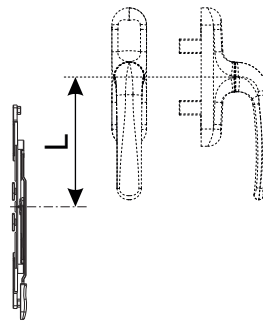
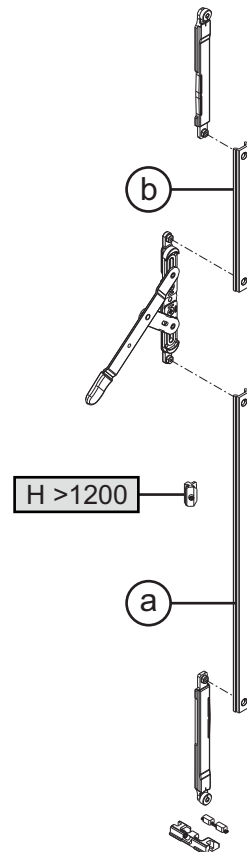
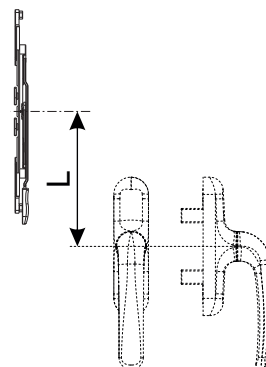
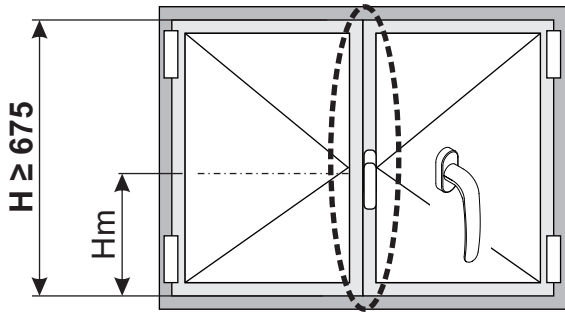


$610 \leq H \leq 1200$	$H > 1200$
$413 \leq H_c \leq (H - 197)$	$H_c \leq (H - 227)$
$a = H_c - 378$	
$b = H - H_c - 89$	
$L = 144$	

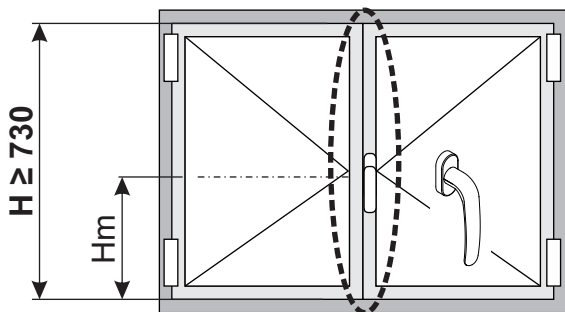
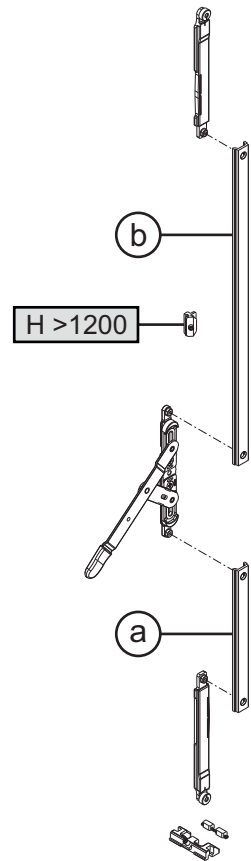
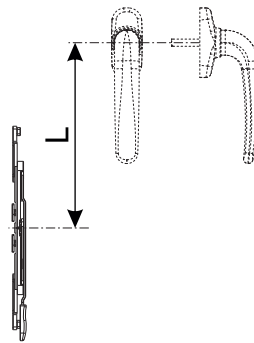


$655 \leq H \leq 1200$	$H > 1200$
$197 \leq H_c \leq (H - 458)$	$H_c \leq (H - 489)$
$a = H_c - 44$	$a = H_c - 13$
$b = H - H_c - 422$	$b = H - H_c - 453$
$L = 189$	$L = 220$

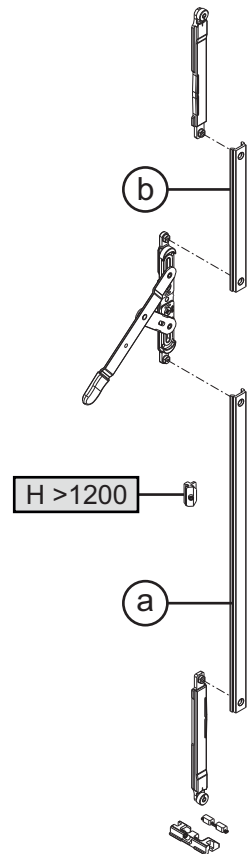
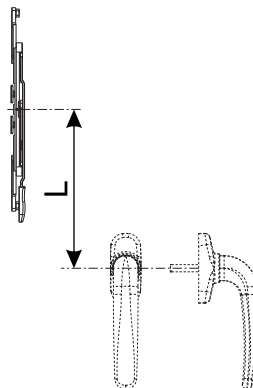


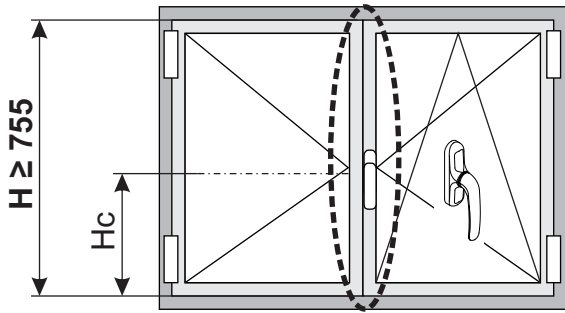


$675 \leq H \leq 1200$	$H > 1200$
$469 \leq H_m \leq (H - 206)$	$H_m \leq (H - 236)$
$a = H_m - 434$	
$b = H - H_m - 33$	
$L = 200$	

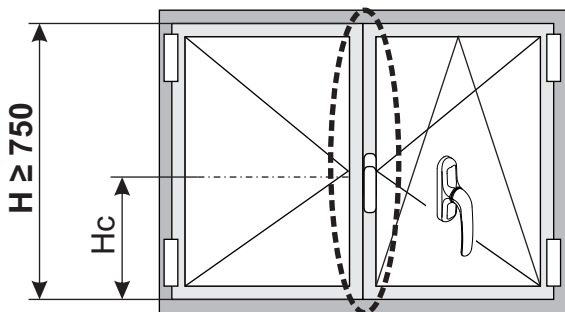
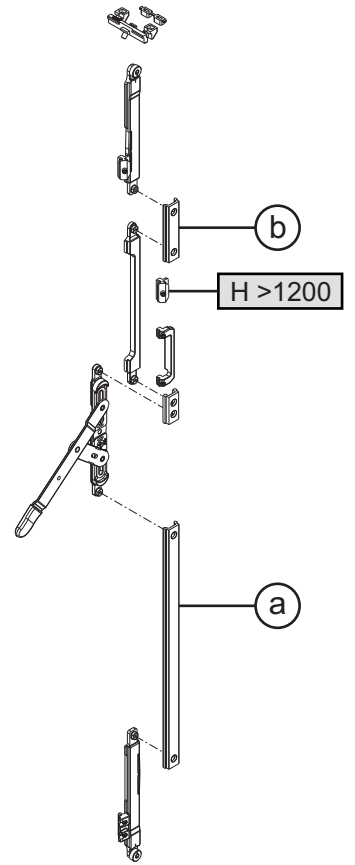
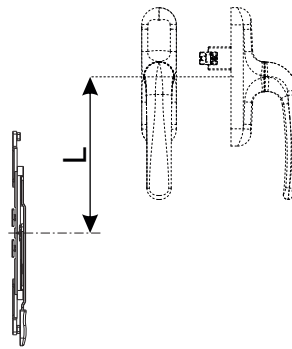


$730 \leq H \leq 1200$	$H > 1200$
$262 \leq H_m \leq (H - 468)$	$H_m \leq (H - 498)$
$a = H_m - 33$	$a = H_m - 3$
$b = H - H_m - 433$	$b = H - H_m - 463$
$L = 200$	$L = 230$

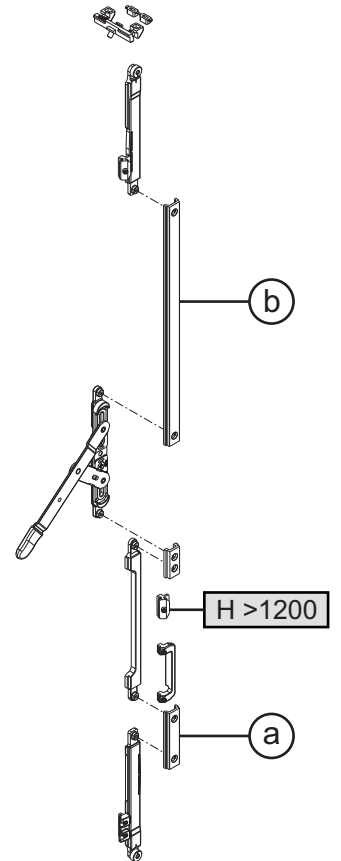
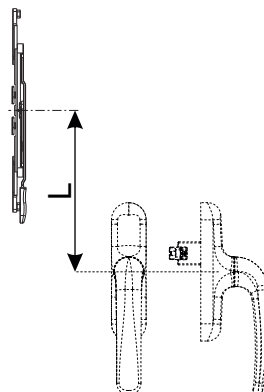


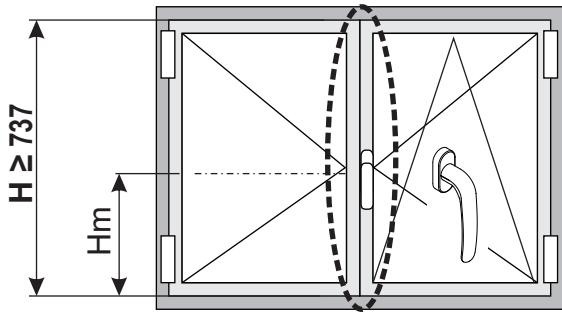


$755 \leq H \leq 1200$	$H > 1200$
$474 \leq H_c \leq (H - 281)$	
$a = H_c - 424$	
$b = H - H_c - 246$	
$L = 190$	

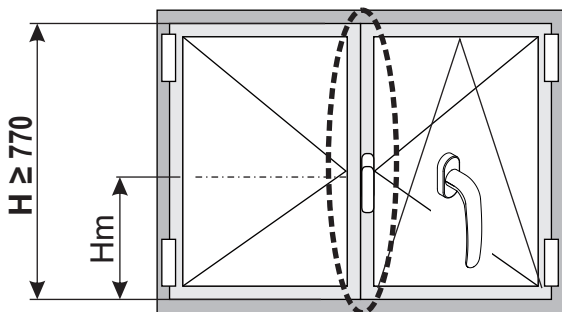
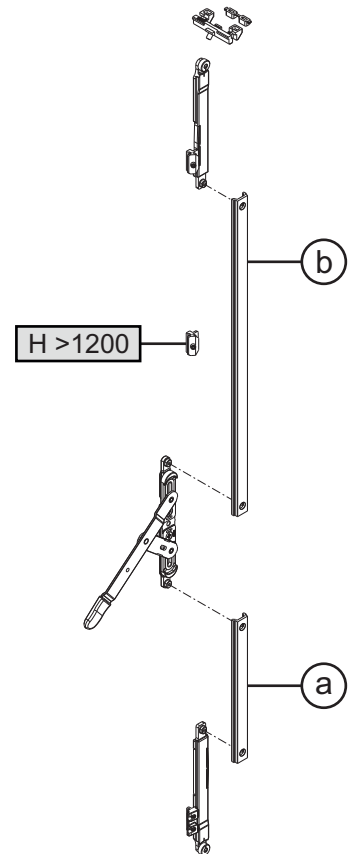
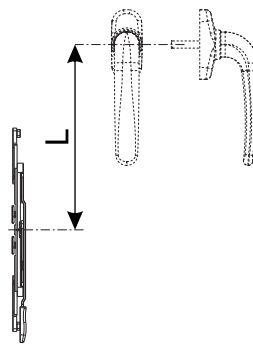


$750 \leq H \leq 1200$	$H > 1200$
$262 \leq H_c \leq (H - 488)$	
$a = H_c - 221$	
$b = H - H_c - 448$	
$L = 215$	





$737 \leq H \leq 1200$	$H > 1200$
$460 \leq Hm \leq (H - 277)$	$Hm \leq (H - 307)$
$a = Hm - 408$	
$b = H - Hm - 58$	
$L = 175$	



$770 \leq H \leq 1200$	$H > 1200$
$260 \leq Hm \leq (H - 510)$	$Hm \leq (H - 540)$
$a = Hm + 2$	$a = Hm + 32$
$b = H - Hm - 470$	$b = H - Hm - 500$
$L = 235$	$L = 265$

