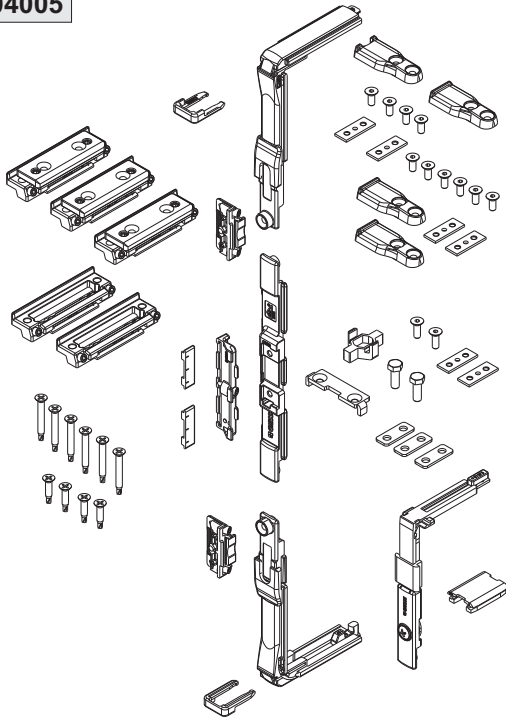
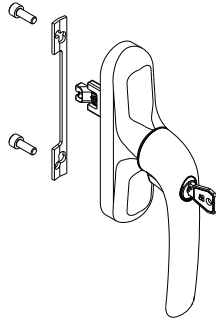


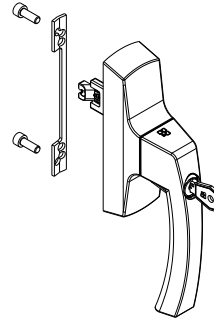
04005



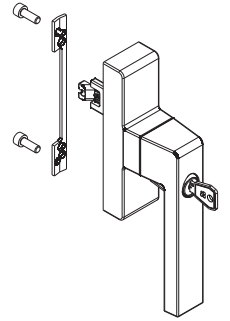
0119102



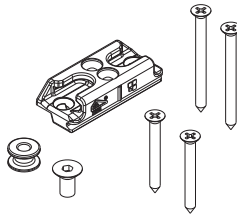
0108501



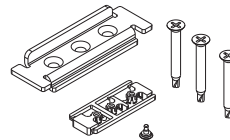
00960



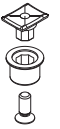
04009



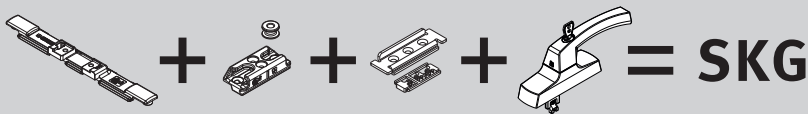
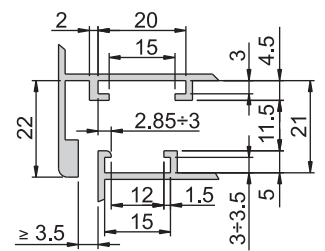
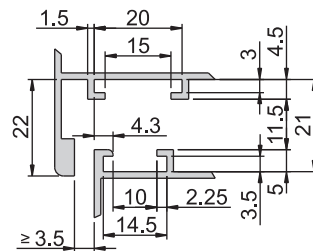
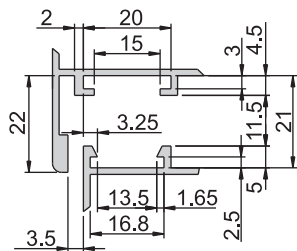
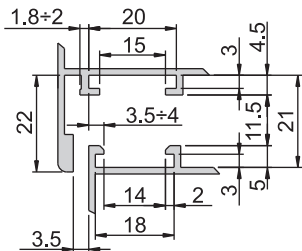
04107



04027K



01347K

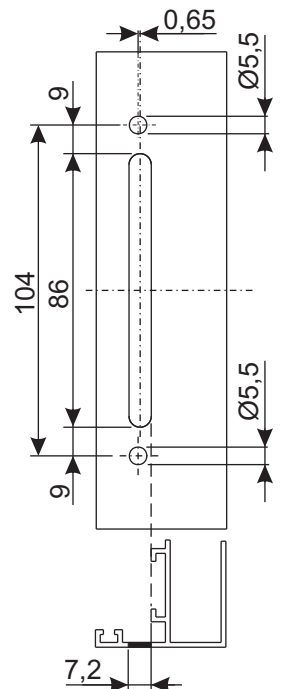
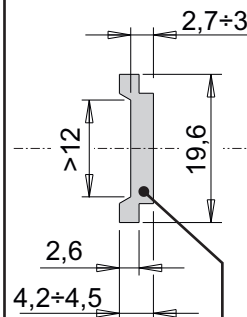
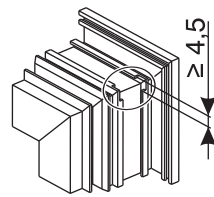


04005

04009

04107

0108501  
0119102



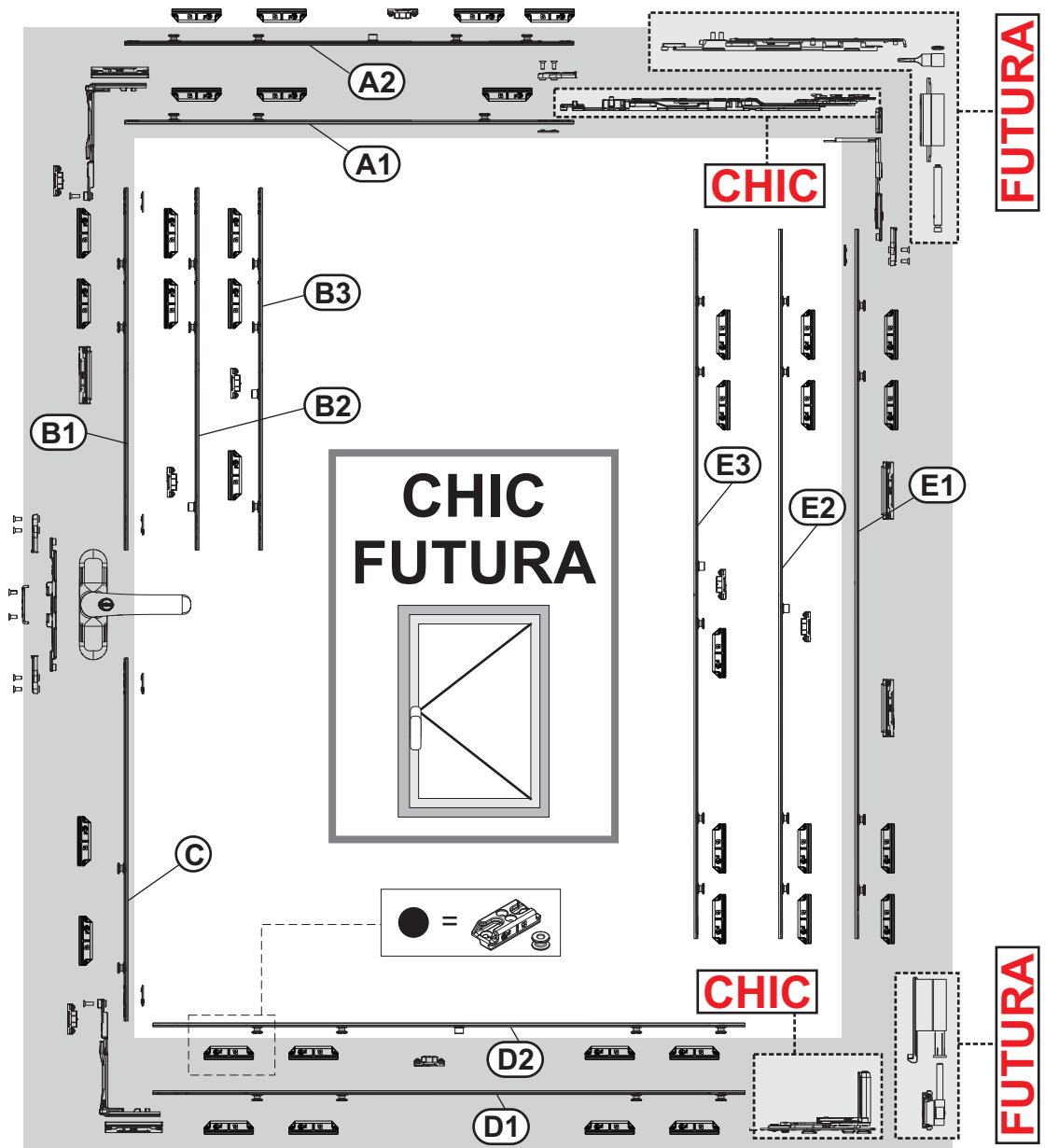
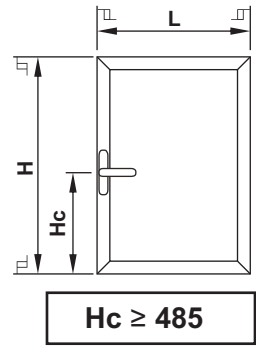
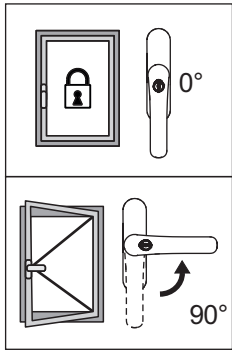
CHIC  
FUTURA

pag. 2

pag. 18



CALCOLO RELATIVO AL TAGLIO ASTE - CÁLCULO RELATIVO AL CORTE DE LAS VARILLAS  
 ΥΠΟΛΟΓΙΣΜΟΣ ΚΟΠΗΣ ΛΑΜΑΚΙΩΝ - ROD CUTTING CALCULATIONS - BERECHNUNG DER STANGENLÄNGEN  
 CALCUL RELATIF À LA COUPE DES TRINGLES - РАСЧЕТ ДЛЯ РЕЗКИ ШТАНГ

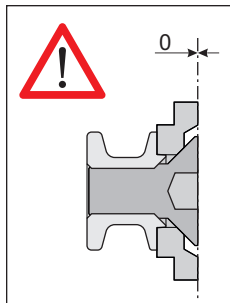
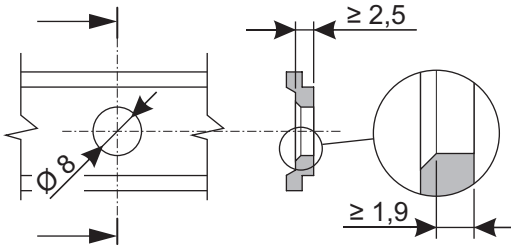
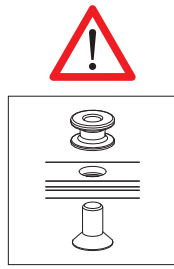
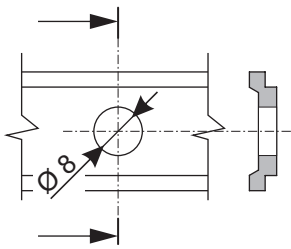


**CHIC**

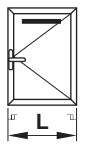
2800		A1=L-415 B3=H-Hc-207 C=Hc-207 D1=L-212 E3=H-295		A2=L-415 B3=H-Hc-207 C=Hc-207 D2=L-212 E3=H-295	
	1500		A1=L-415 B1/B2=H-Hc-207 C=Hc-207 D1=L-212 E1/E2=H-295		A2=L-415 B1/B2=H-Hc-207 C=Hc-207 D2=L-212 E1/E2=H-295
890	770	<b>T1</b>	1000	<b>T1</b>	1600

**FUTURA**

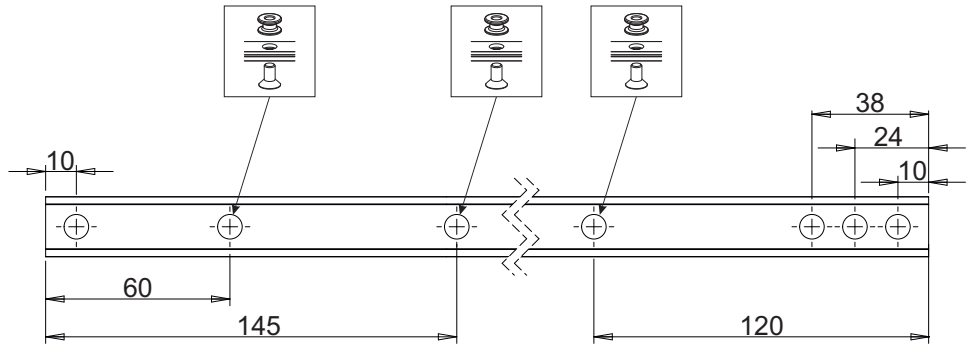
2800		A1=L-355 B3=H-Hc-207 C=Hc-207 D1=L-212 E3=H-295		A2=L-355 B3=H-Hc-207 C=Hc-207 D2=L-212 E3=H-295	
	1500		A1=L-355 B1/B2=H-Hc-207 C=Hc-207 D1=L-212 E1/E2=H-295		A2=L-355 B1/B2=H-Hc-207 C=Hc-207 D2=L-212 E1/E2=H-295
890	720	<b>T1</b>	1000	<b>T1</b>	1600



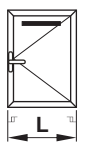
**A1**



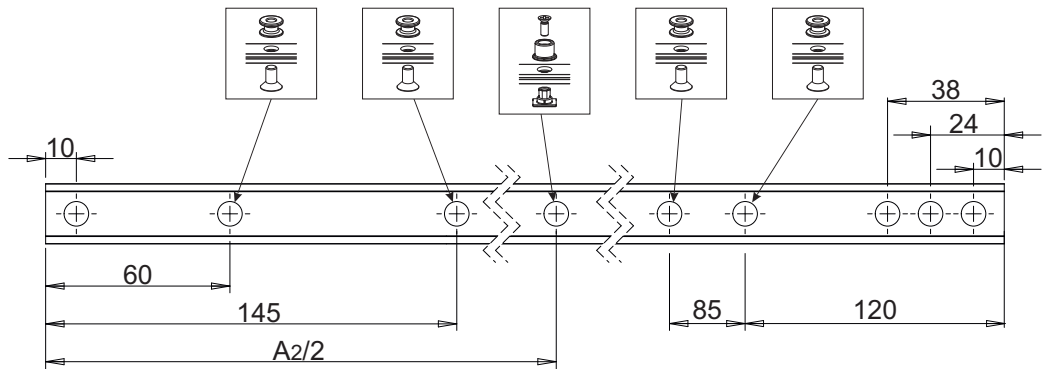
$L \leq 1000$



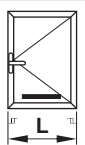
**A2**



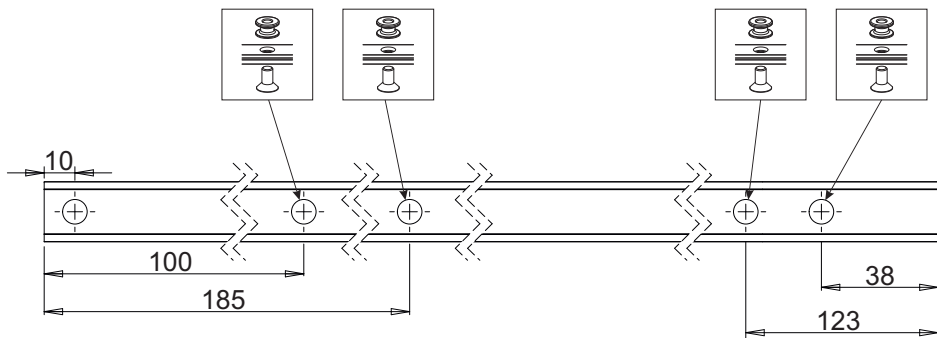
$L > 1000$



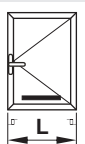
**D1**



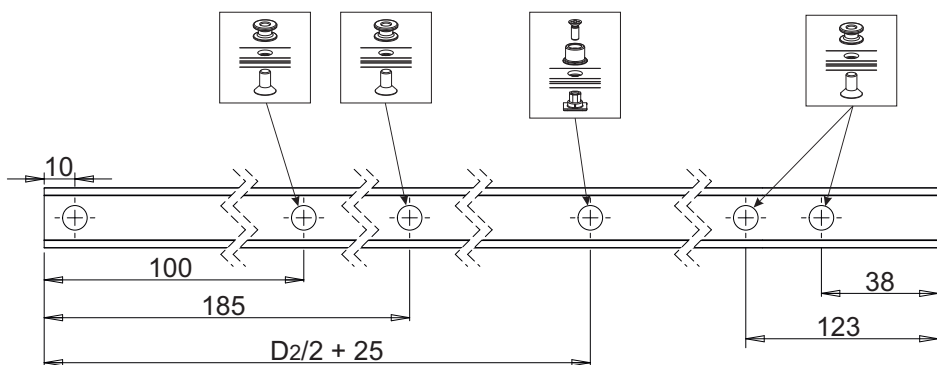
$L \leq 1000$



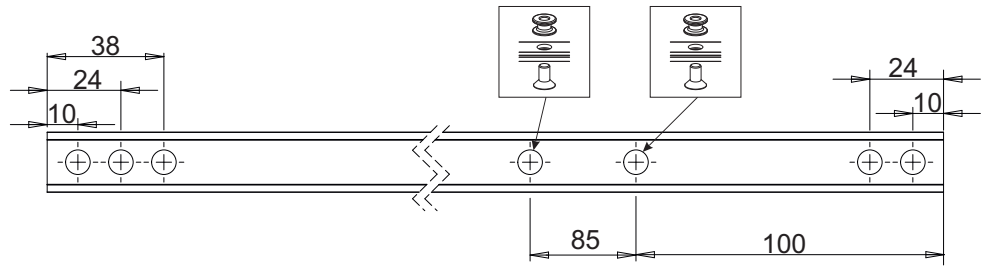
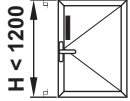
**D2**



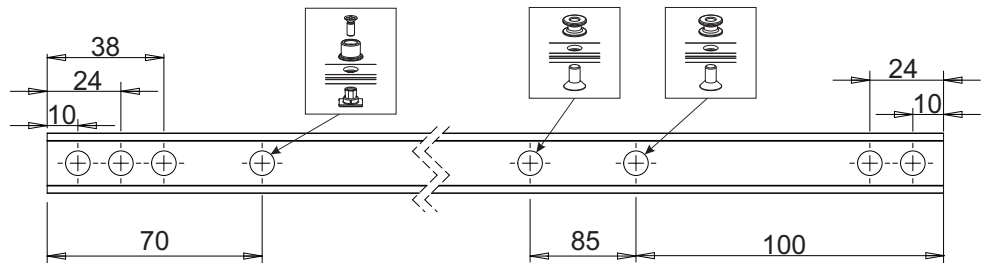
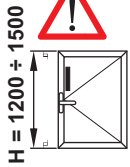
$L > 1000$



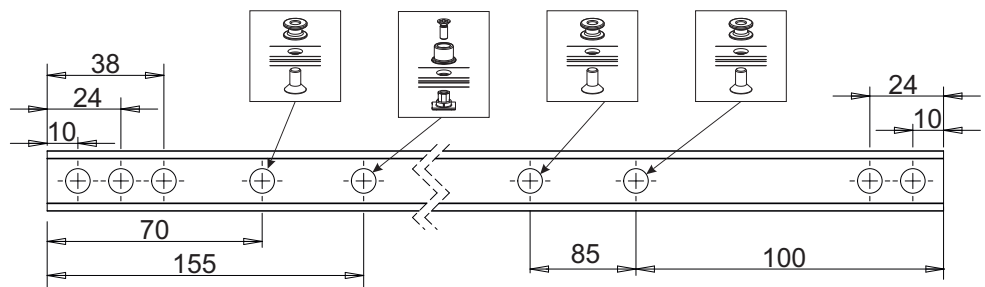
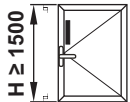
**B1**



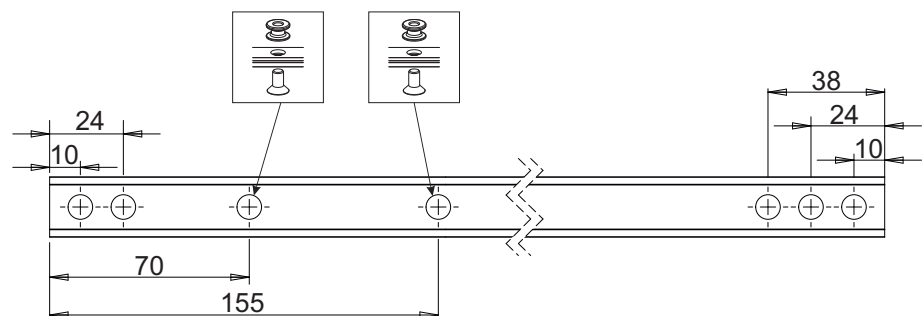
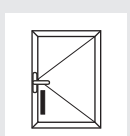
**B2**



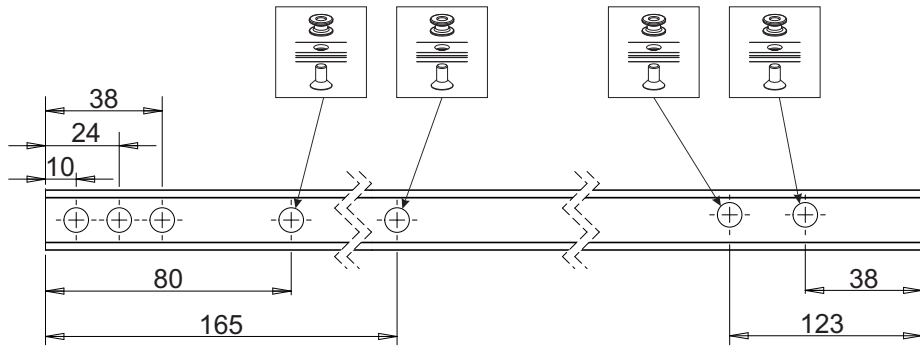
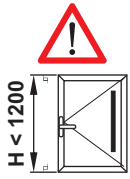
**B3**



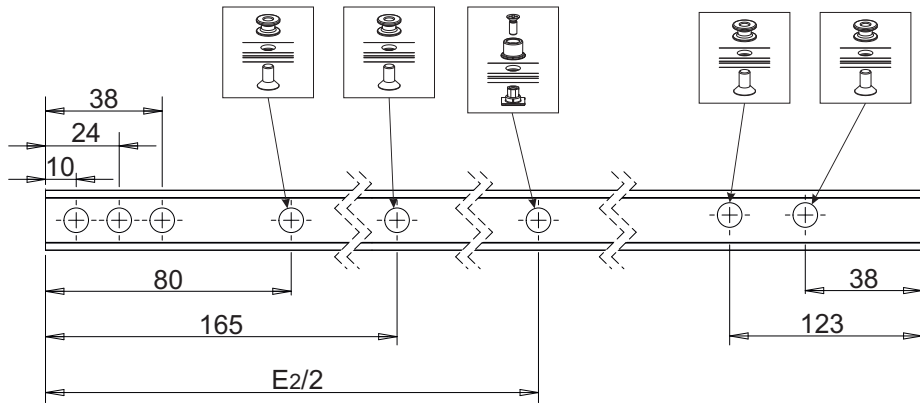
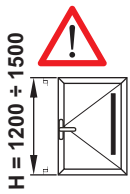
**C**



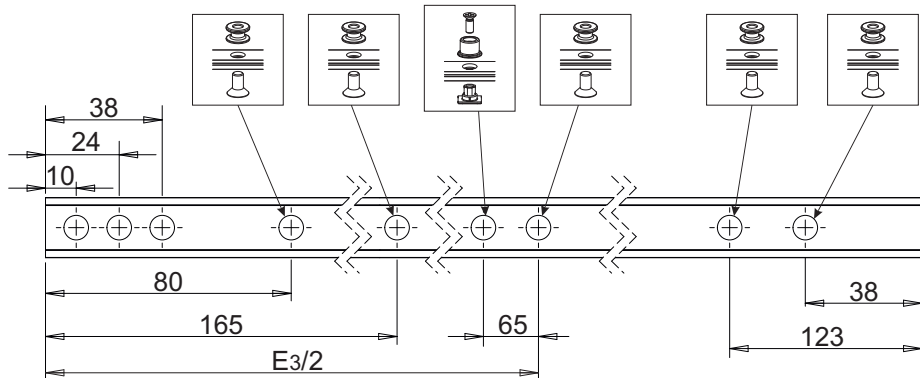
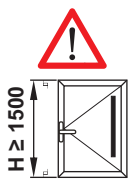
**E1**

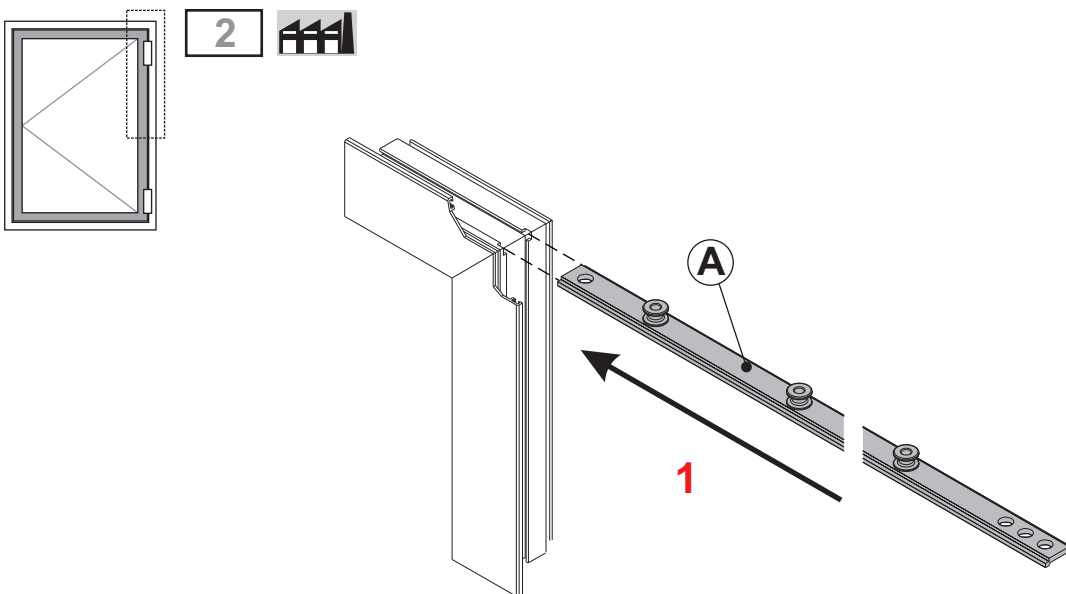
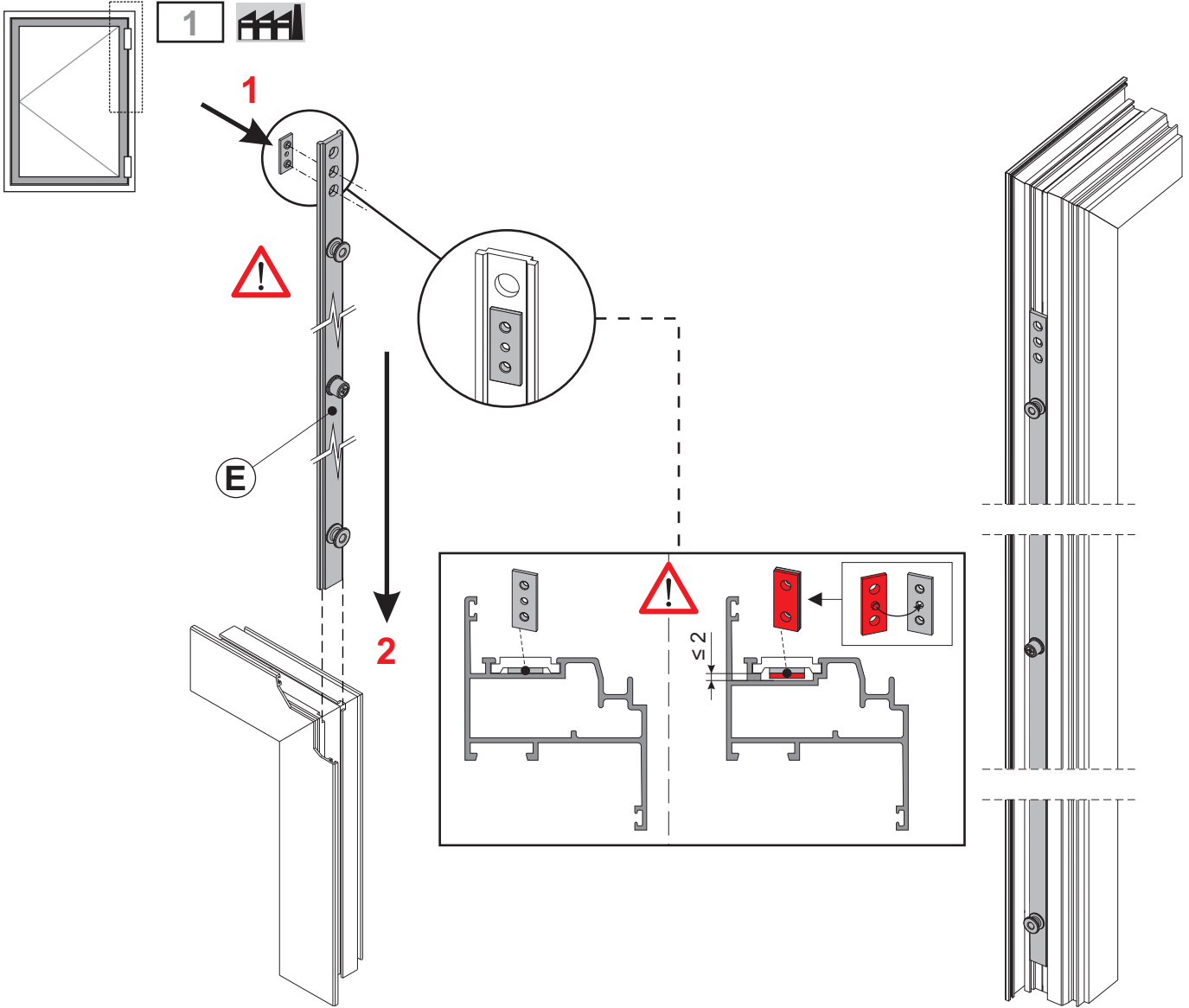


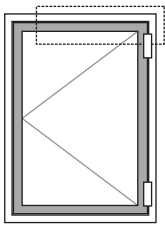
**E2**



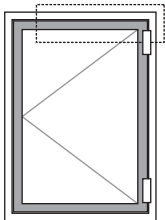
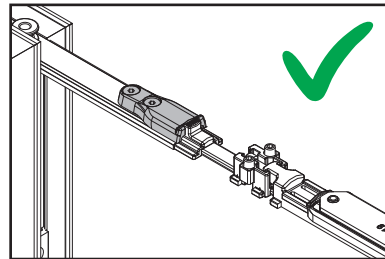
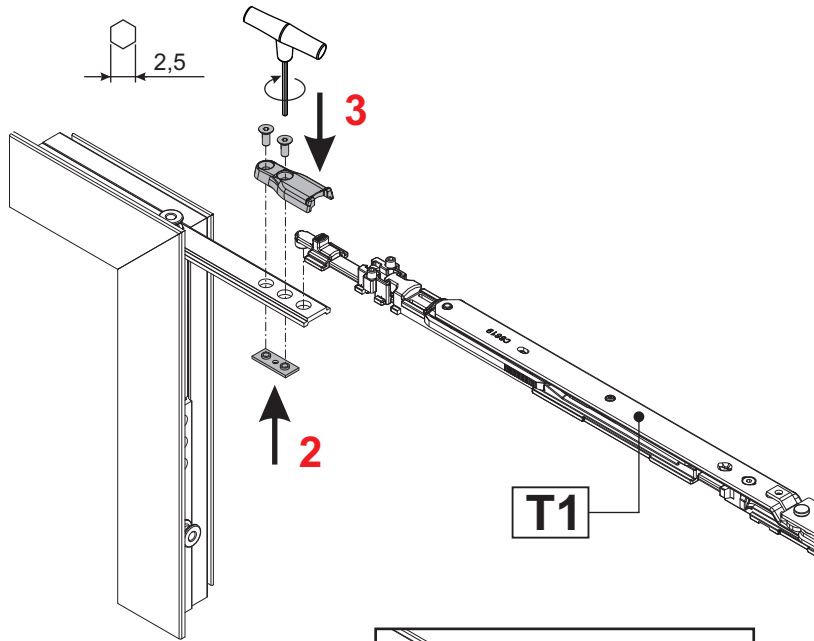
**E3**



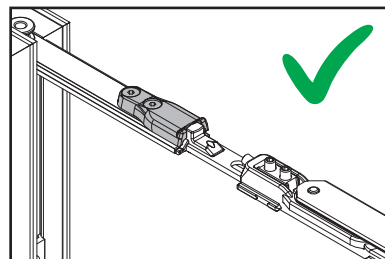
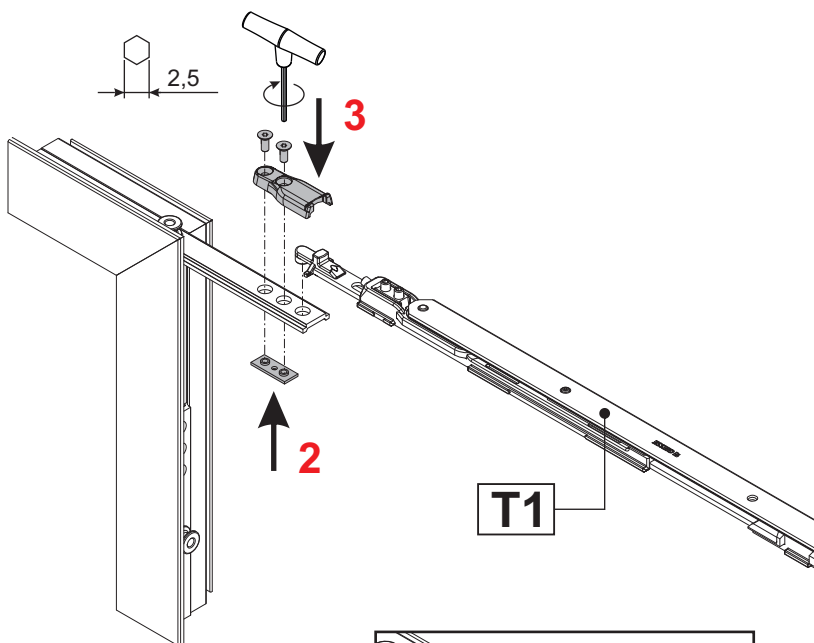


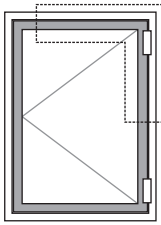


3   
**CHIC**

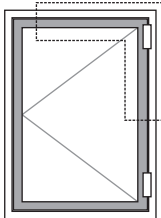
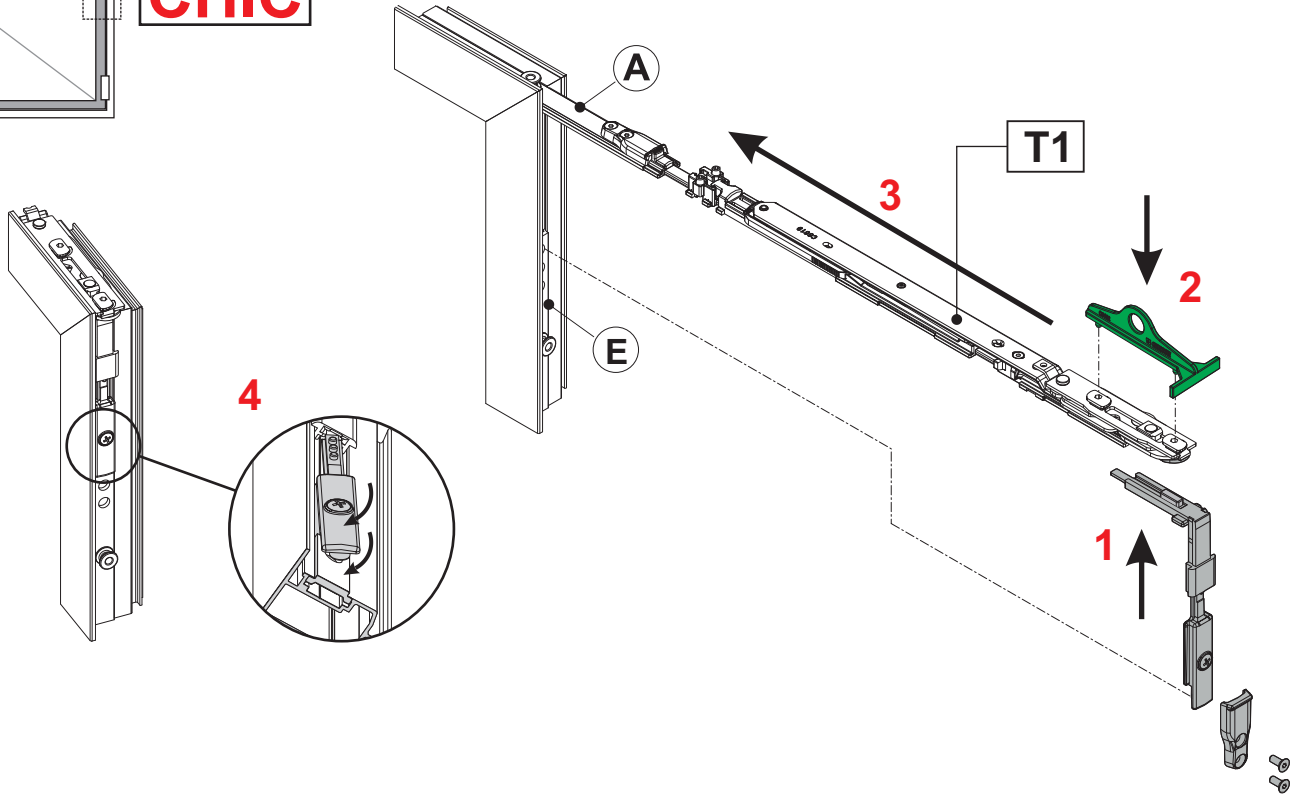


3   
**FUTURA**

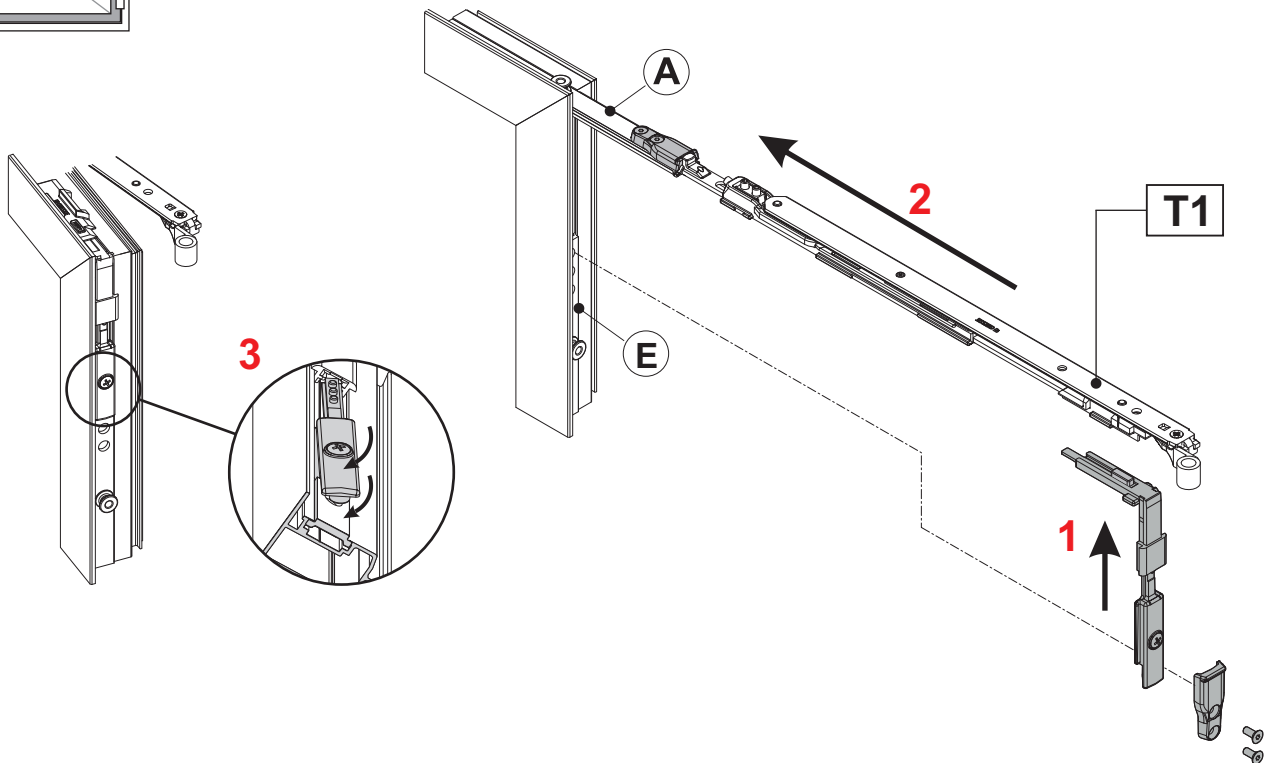




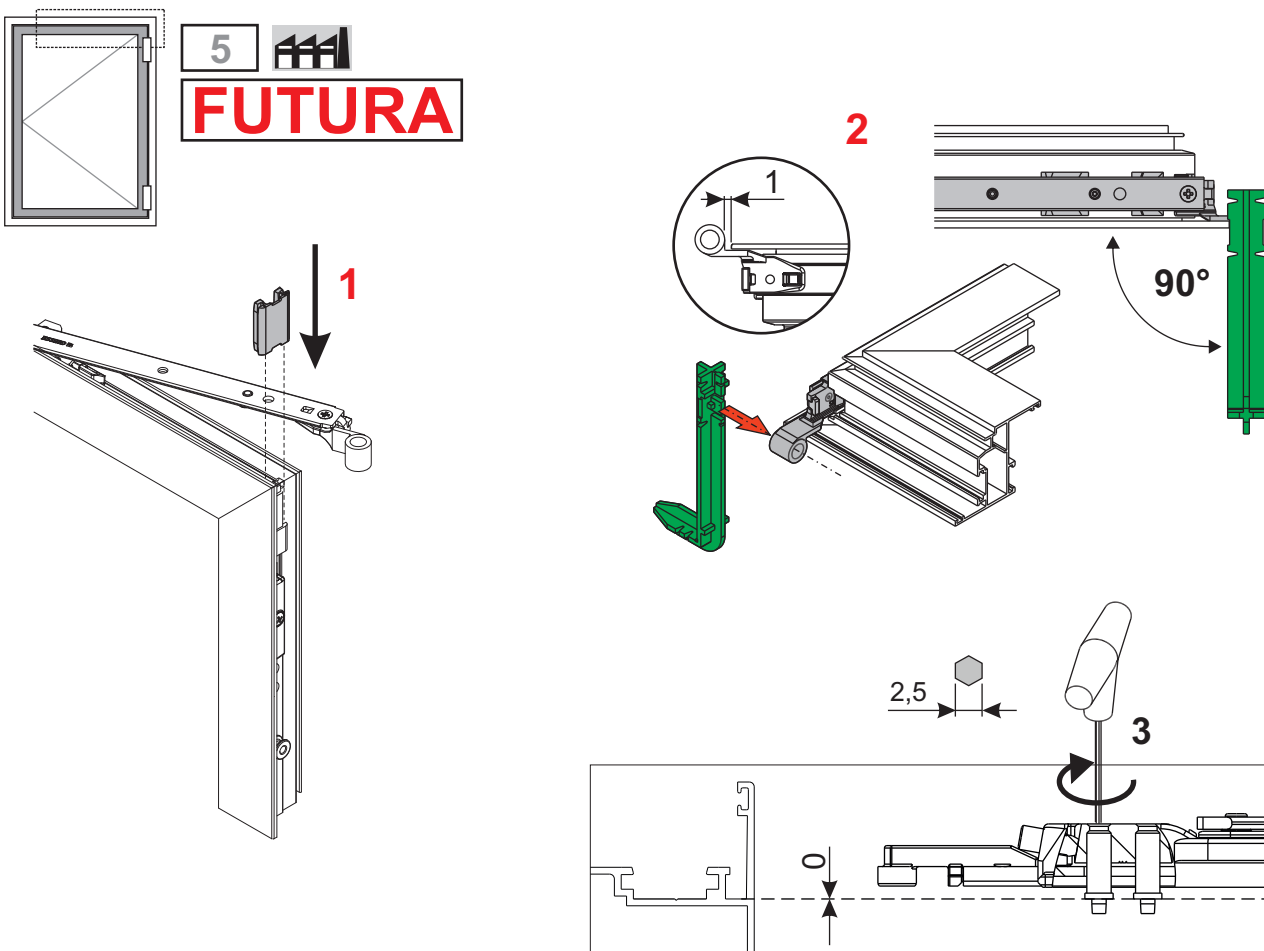
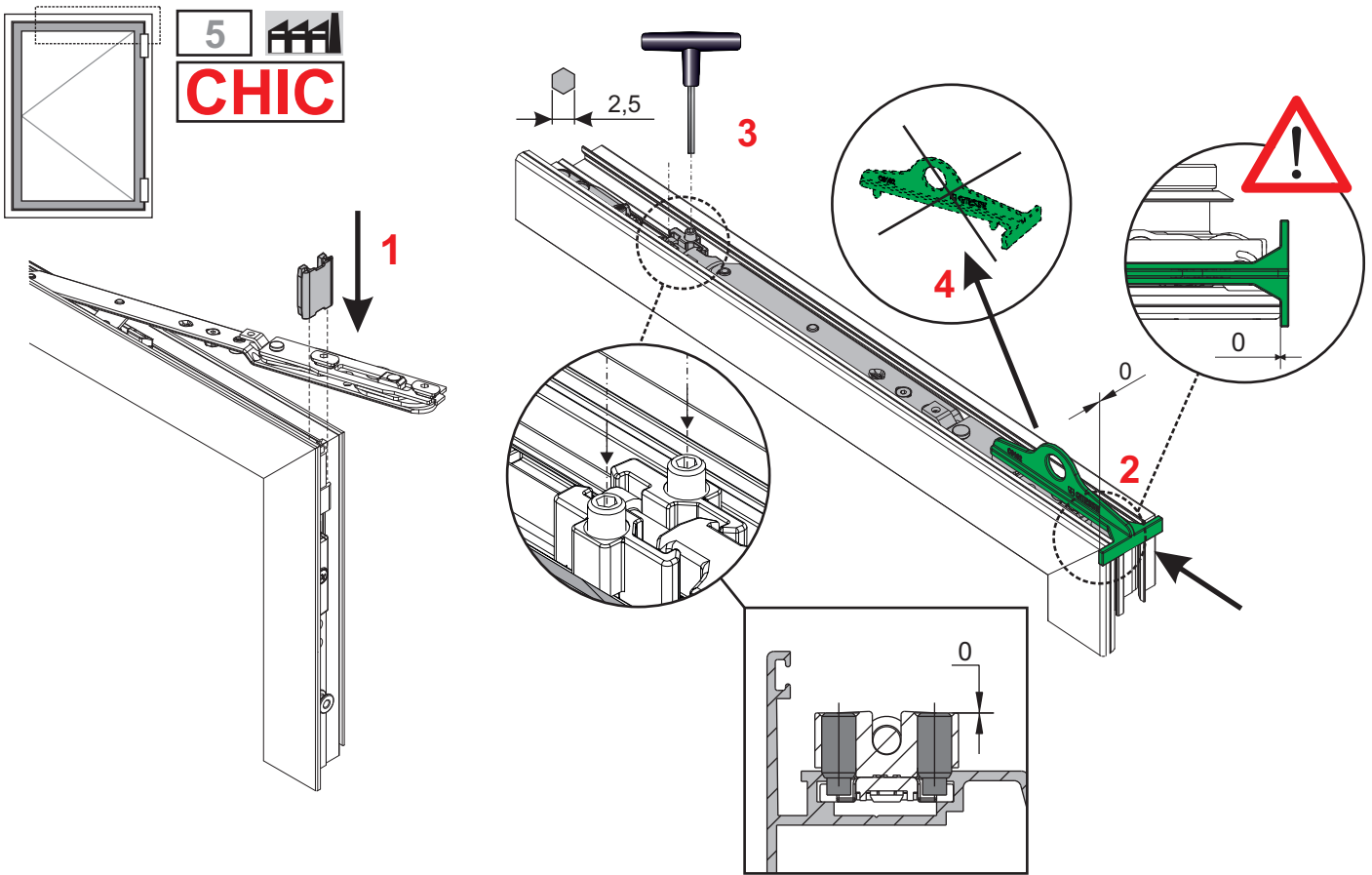
4 **CHIC**

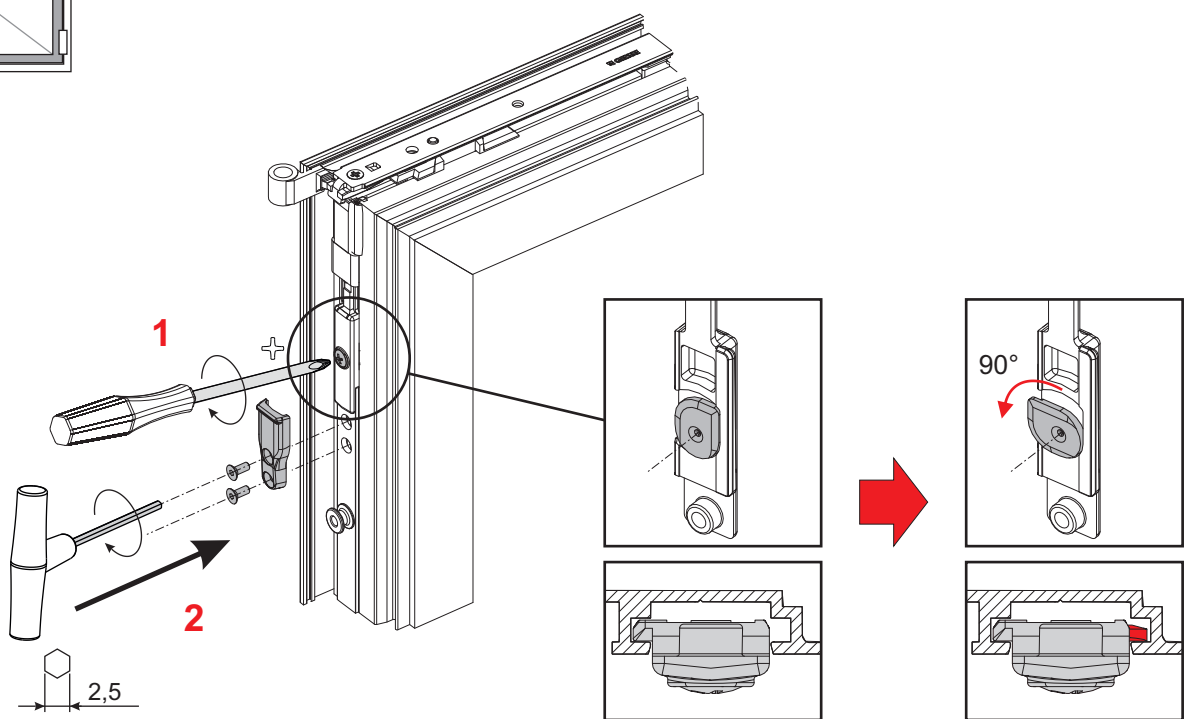
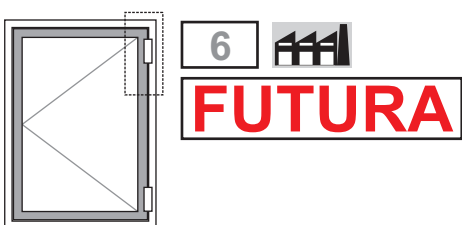
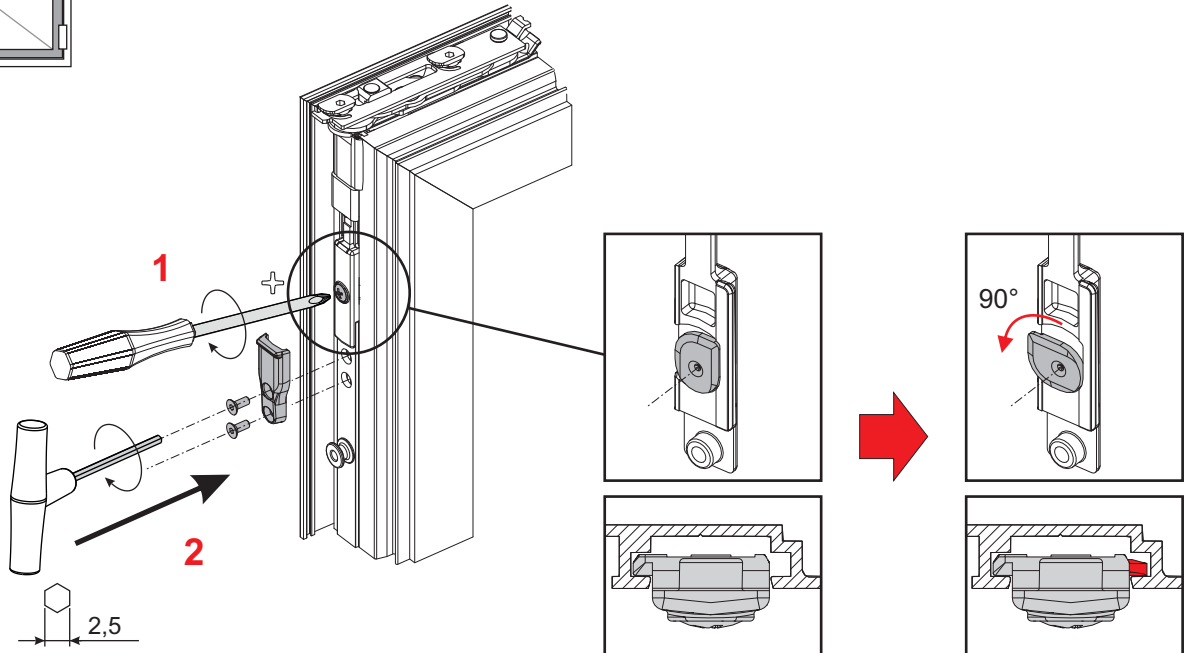
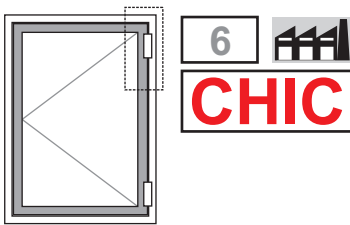


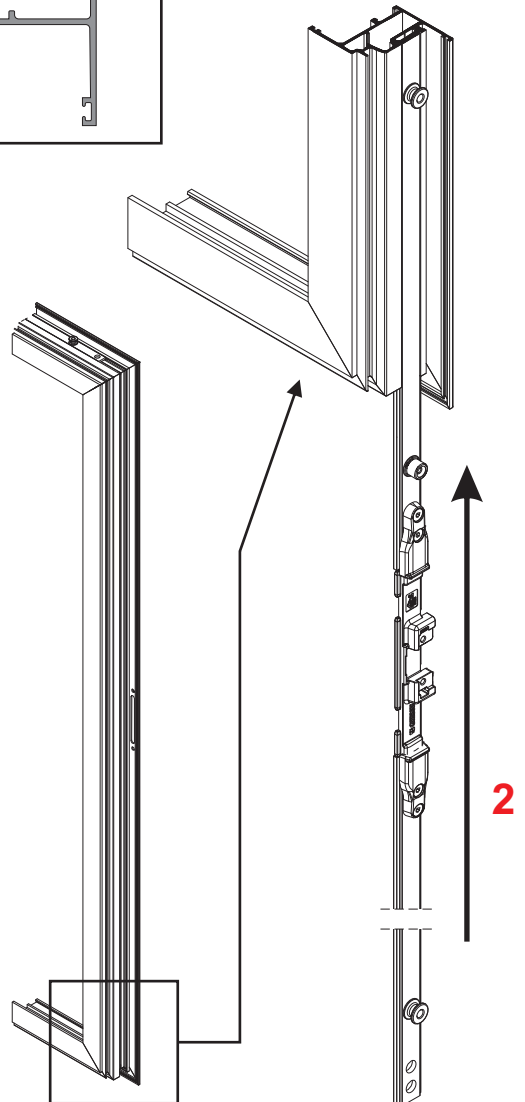
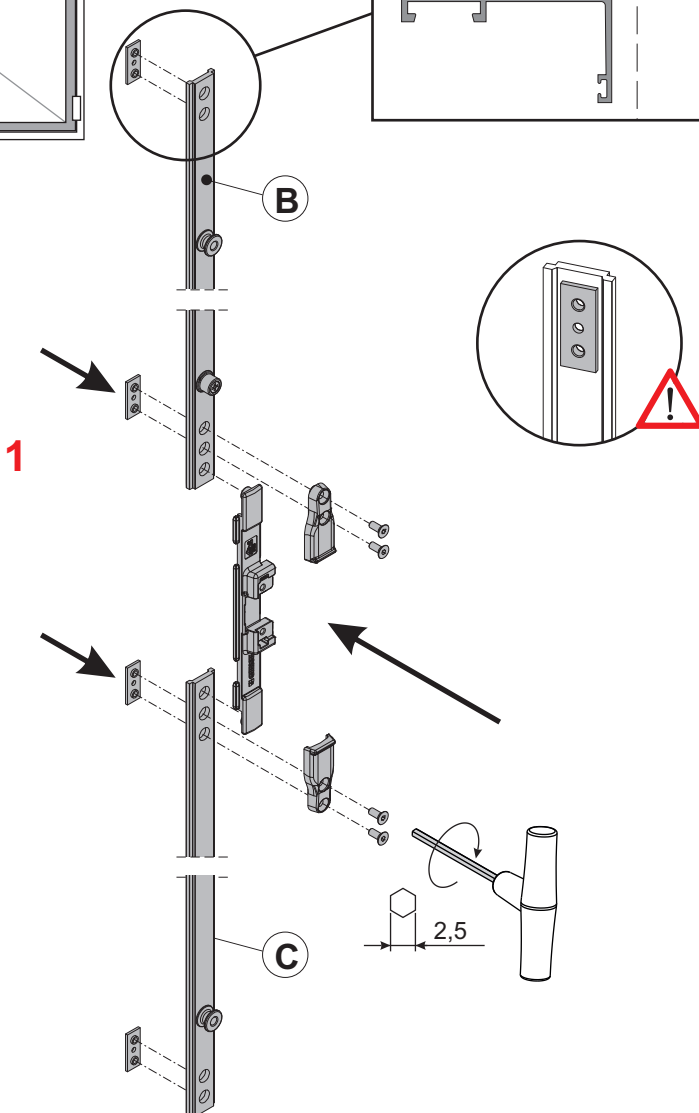
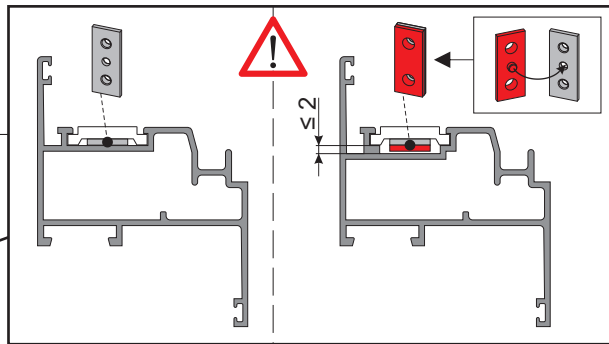
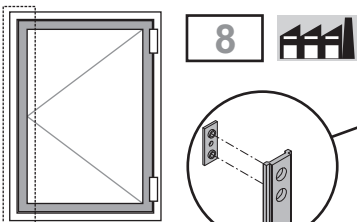
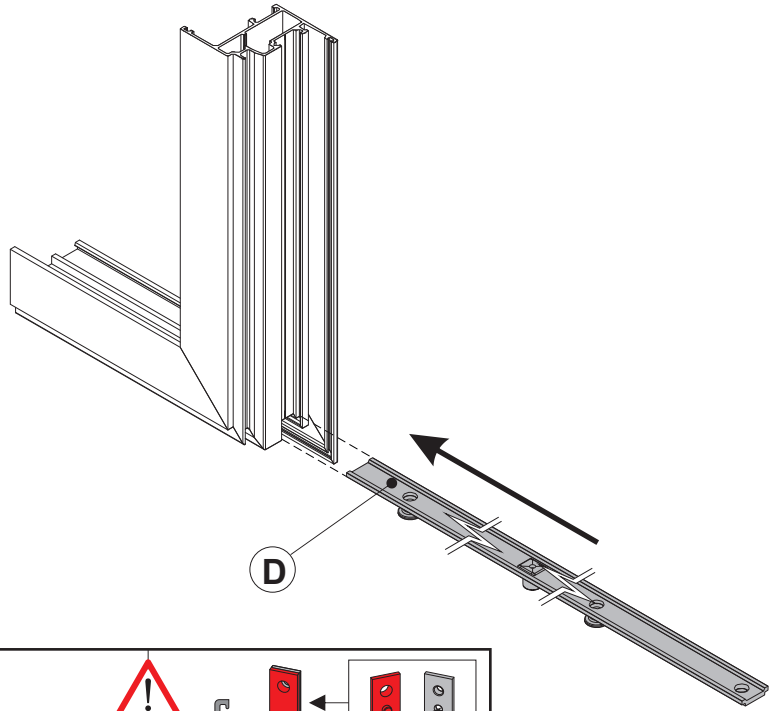
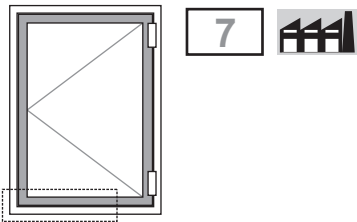
4 **FUTURA**

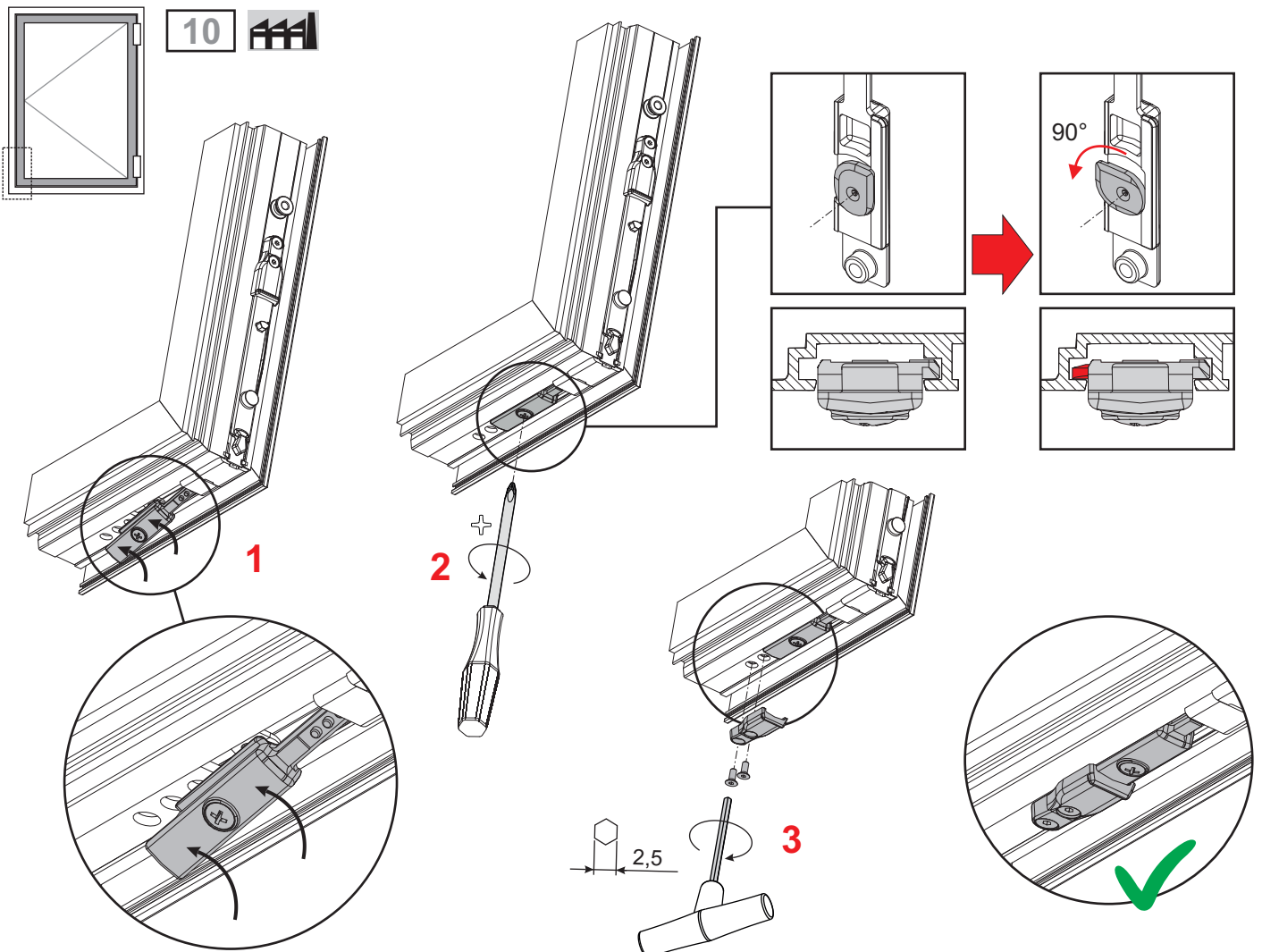
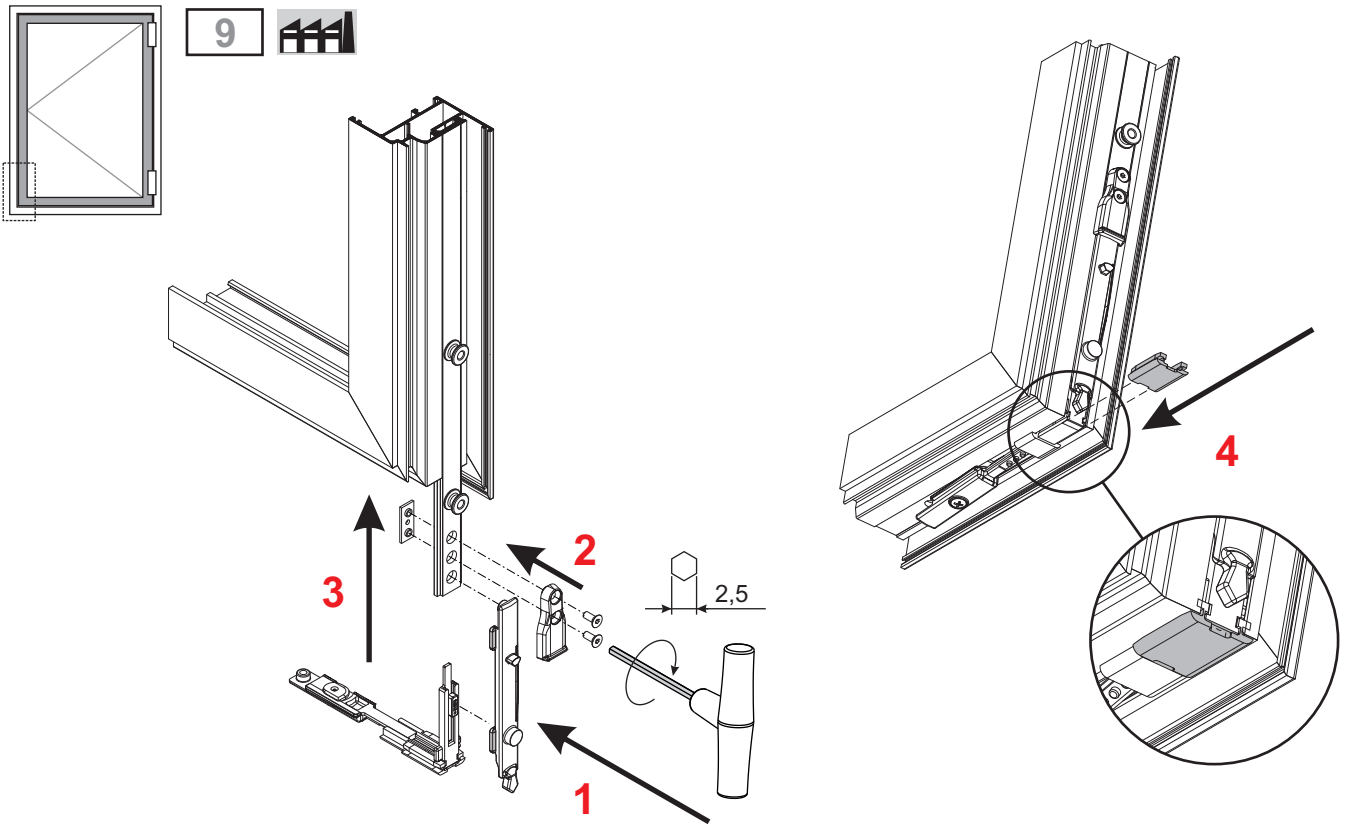


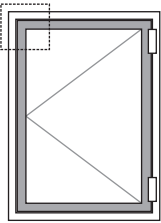




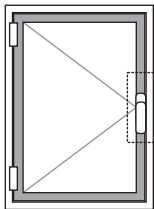
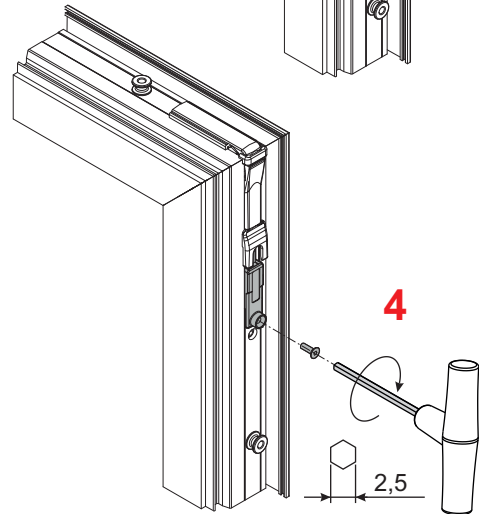
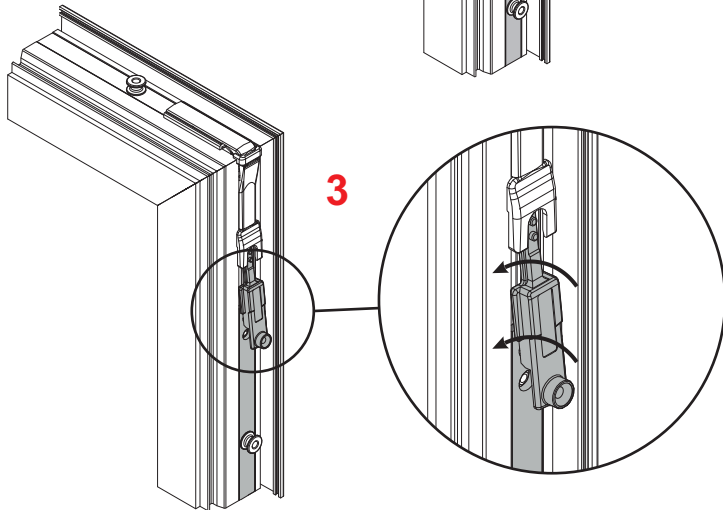
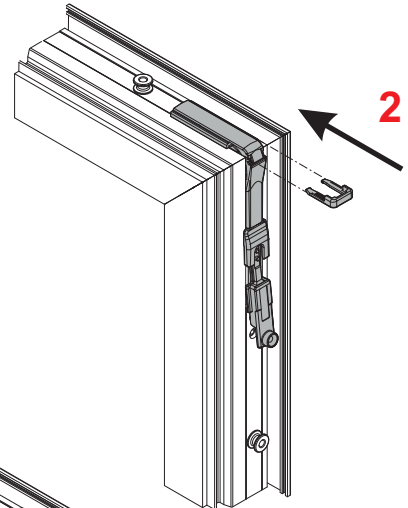
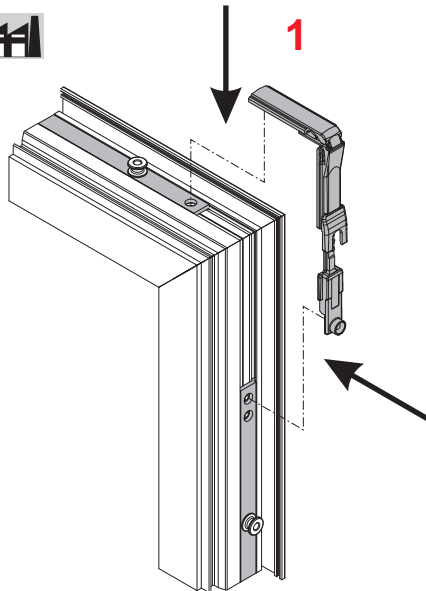




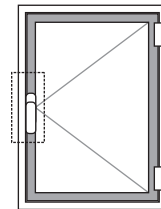
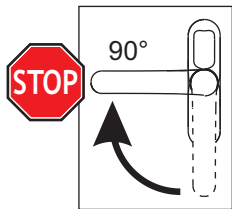




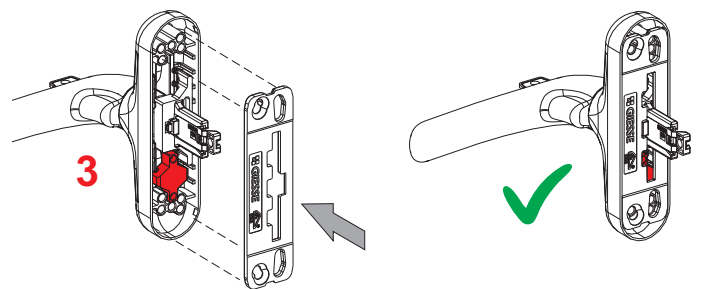
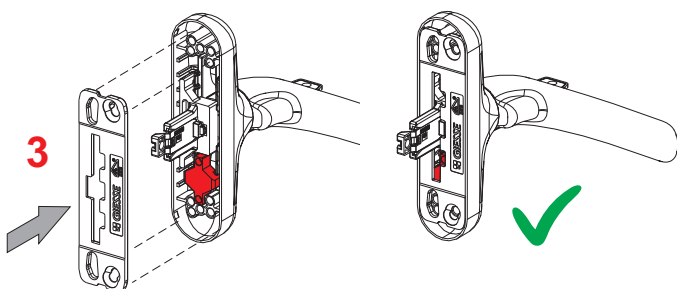
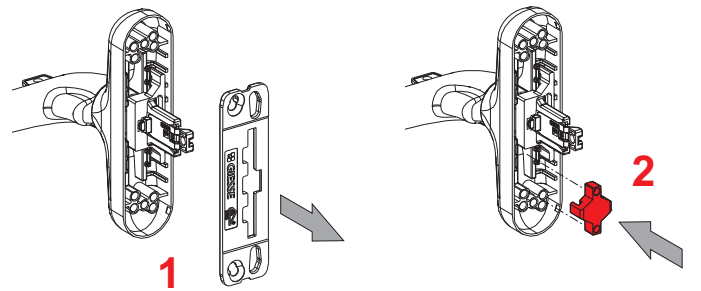
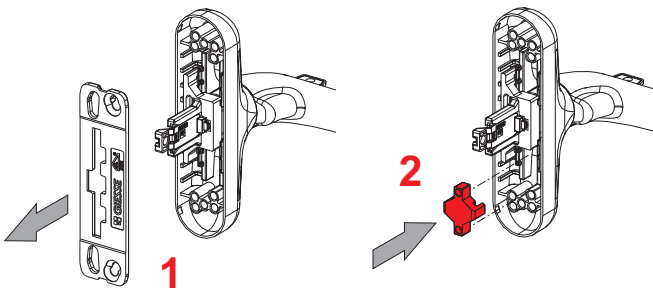
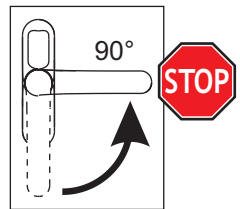
11

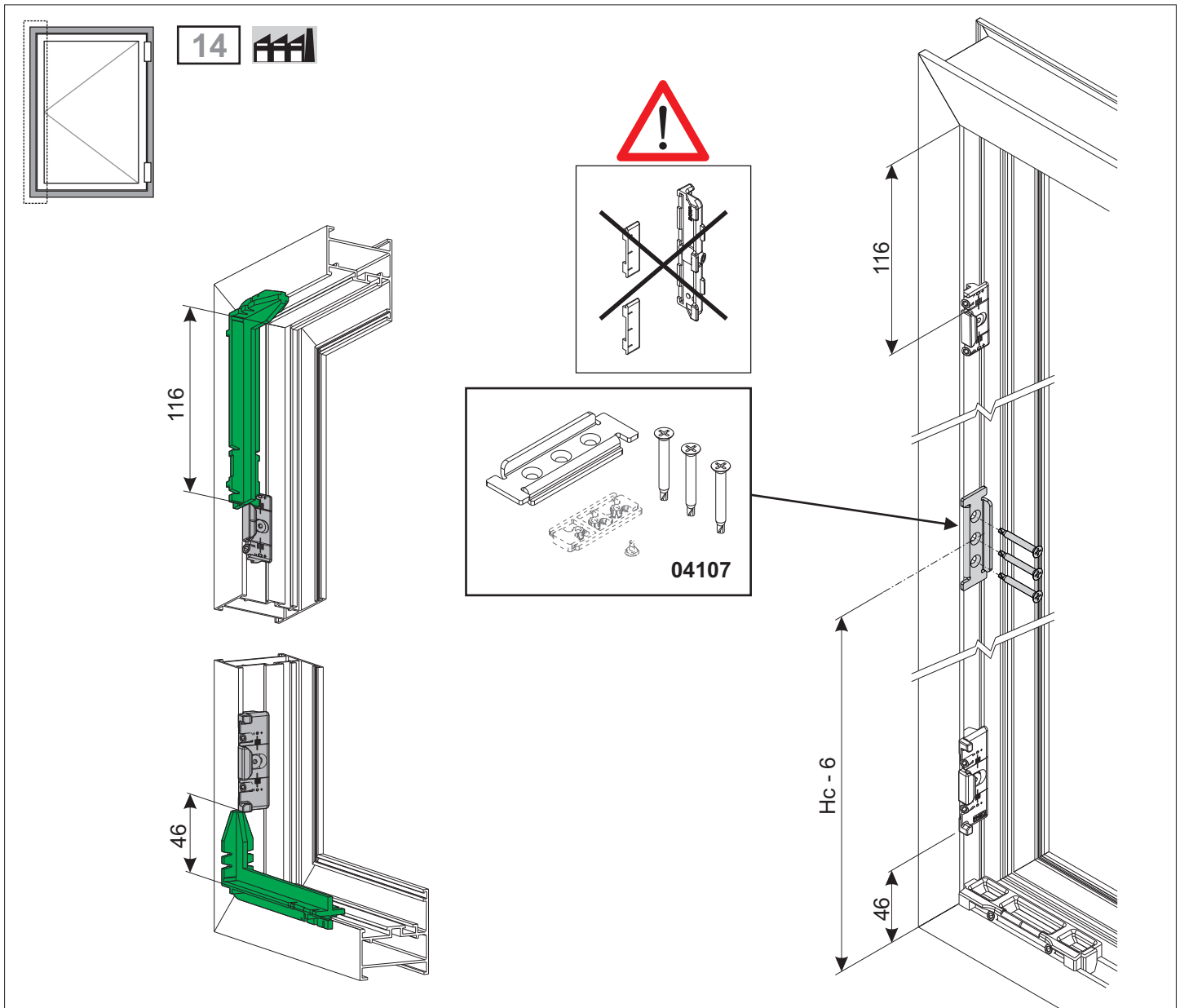
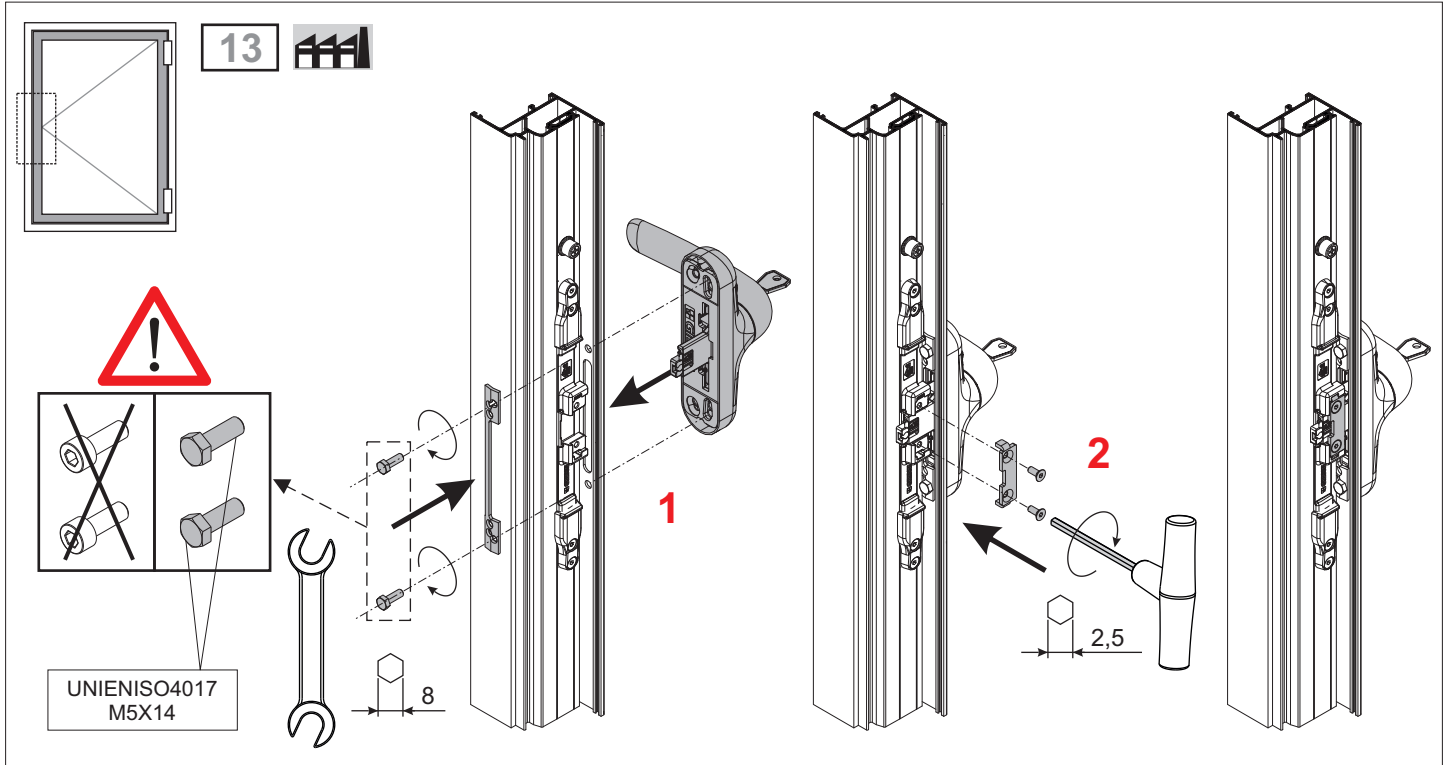


12A   
S/L

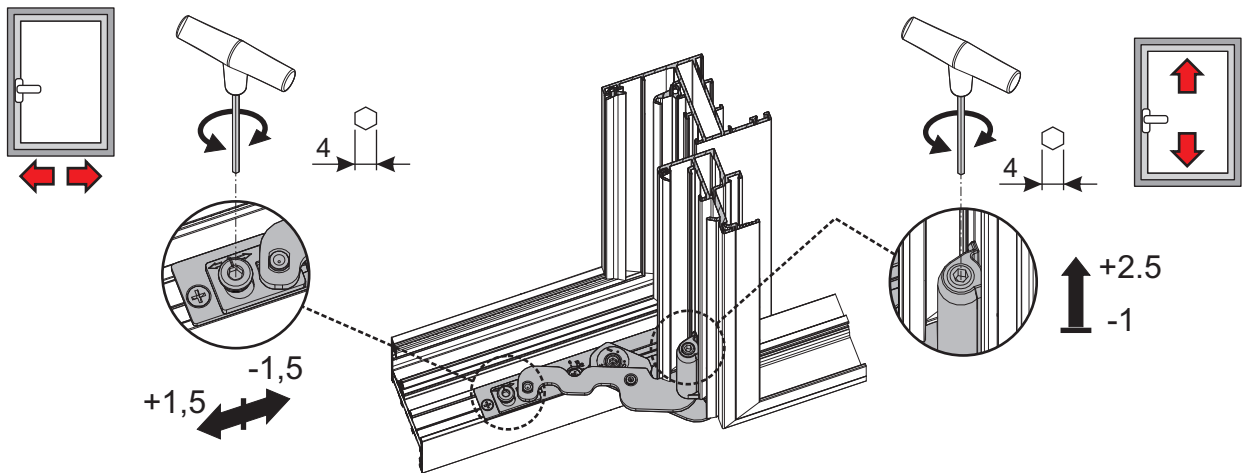
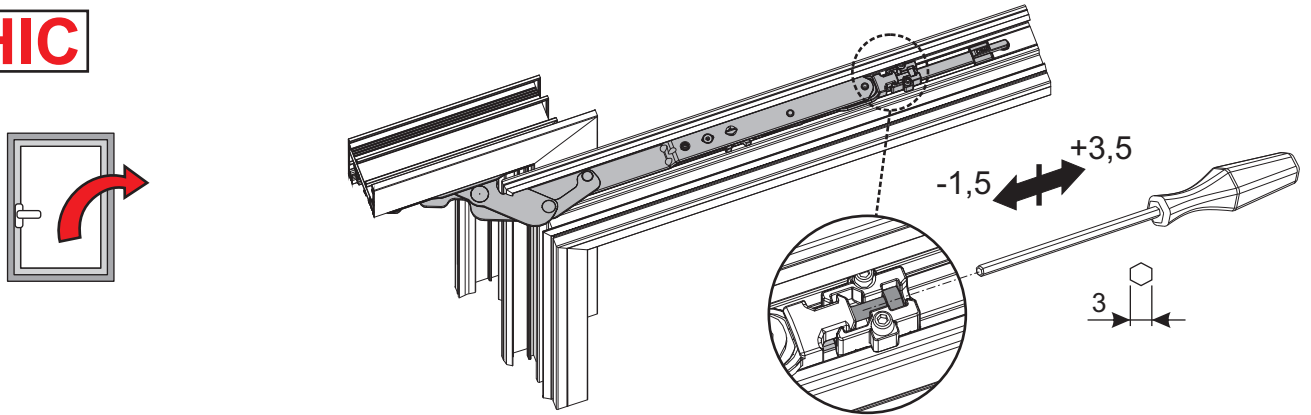


12B   
D/R

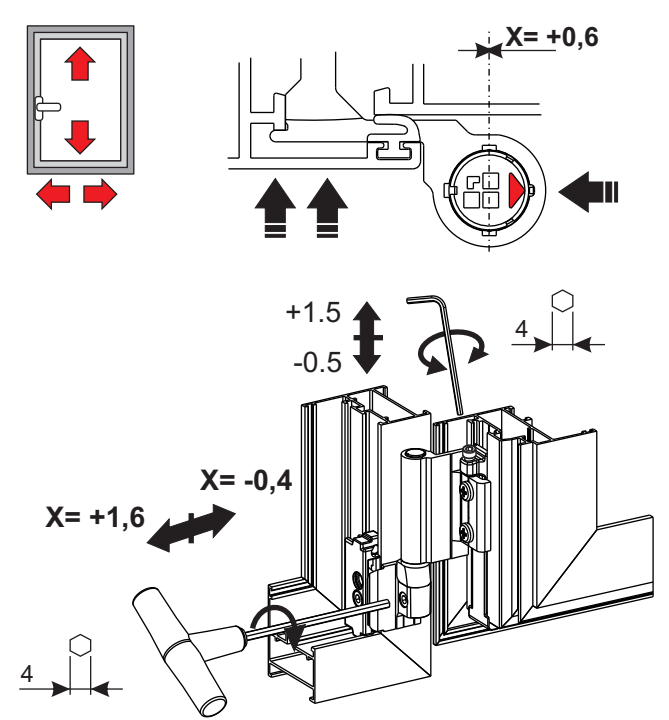
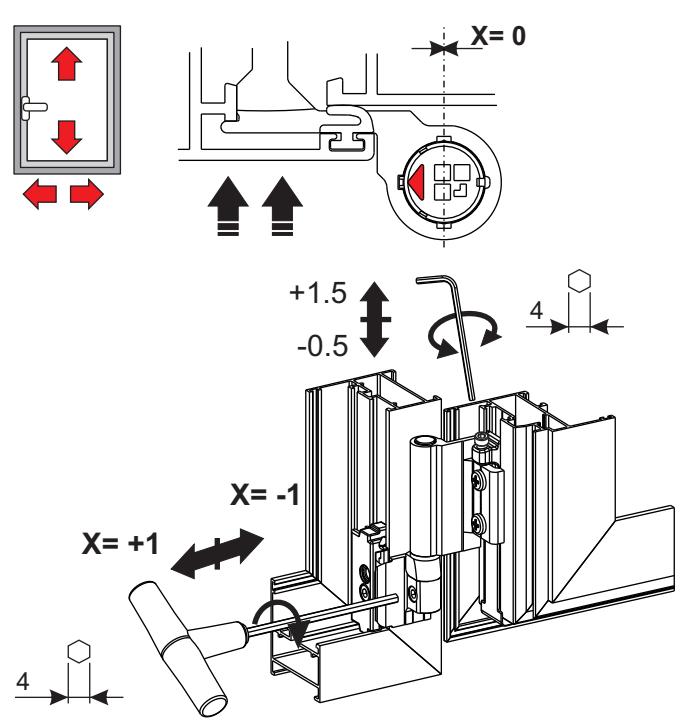
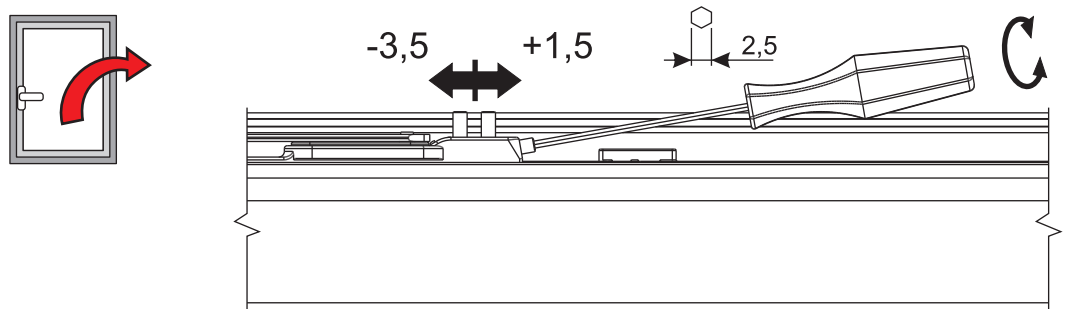




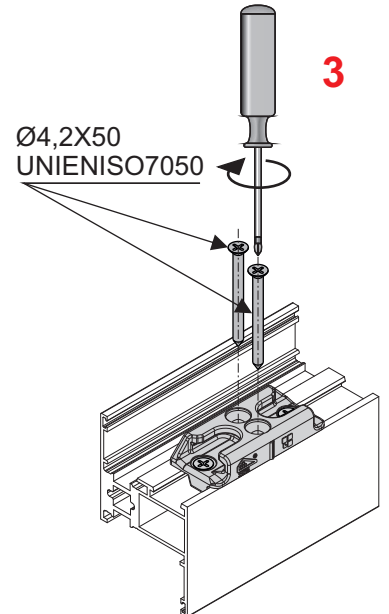
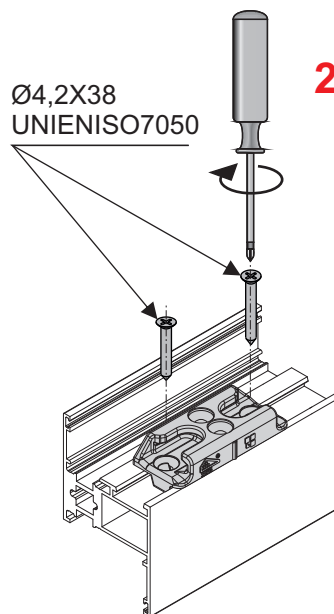
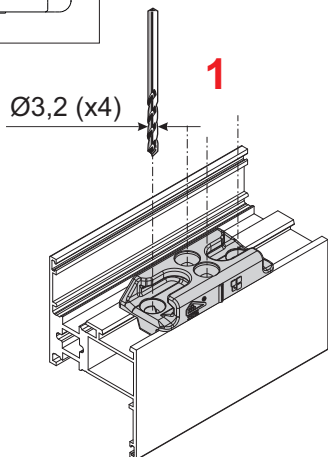
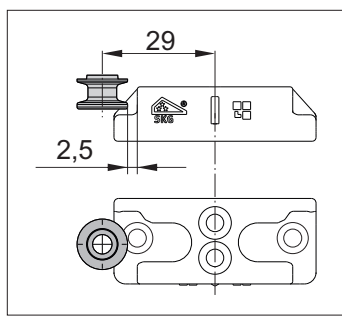
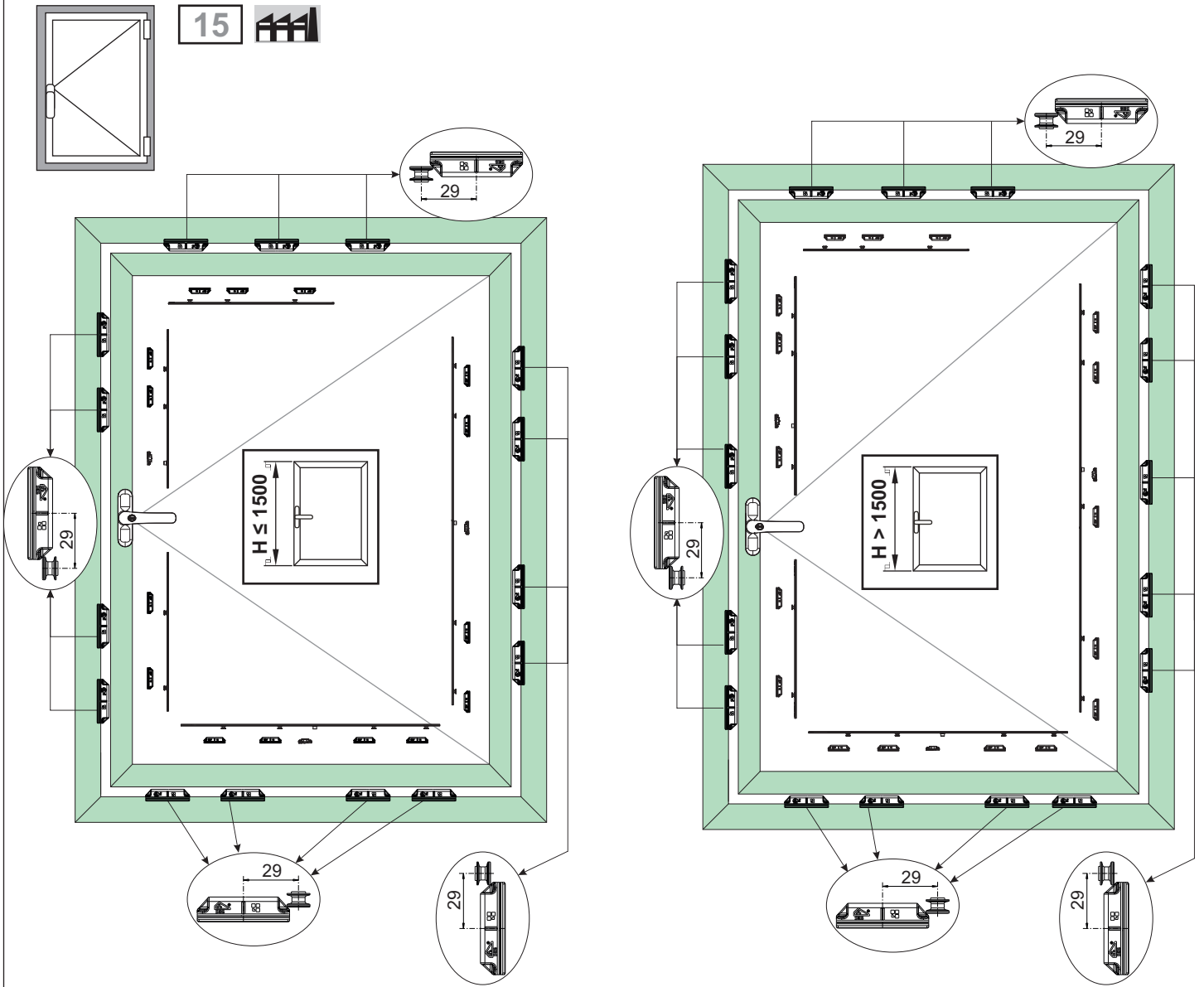
# CHIC



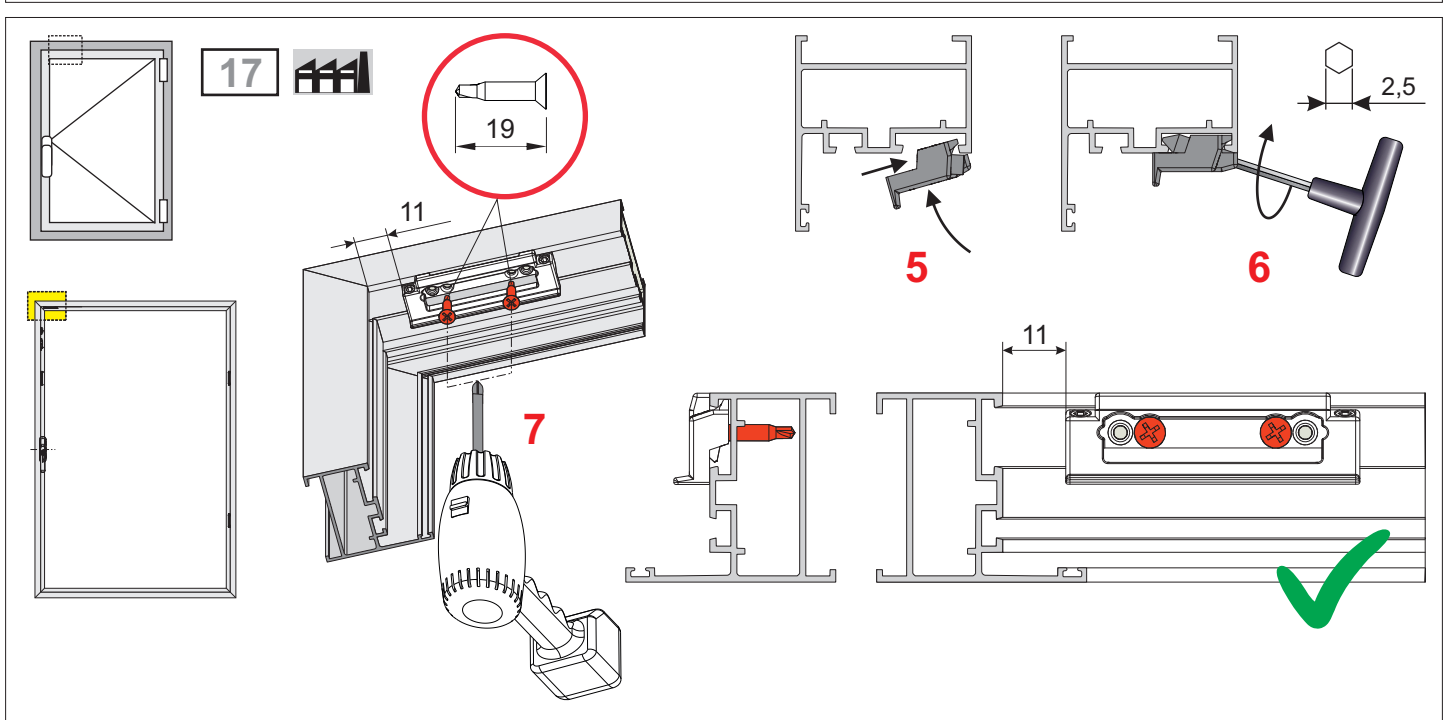
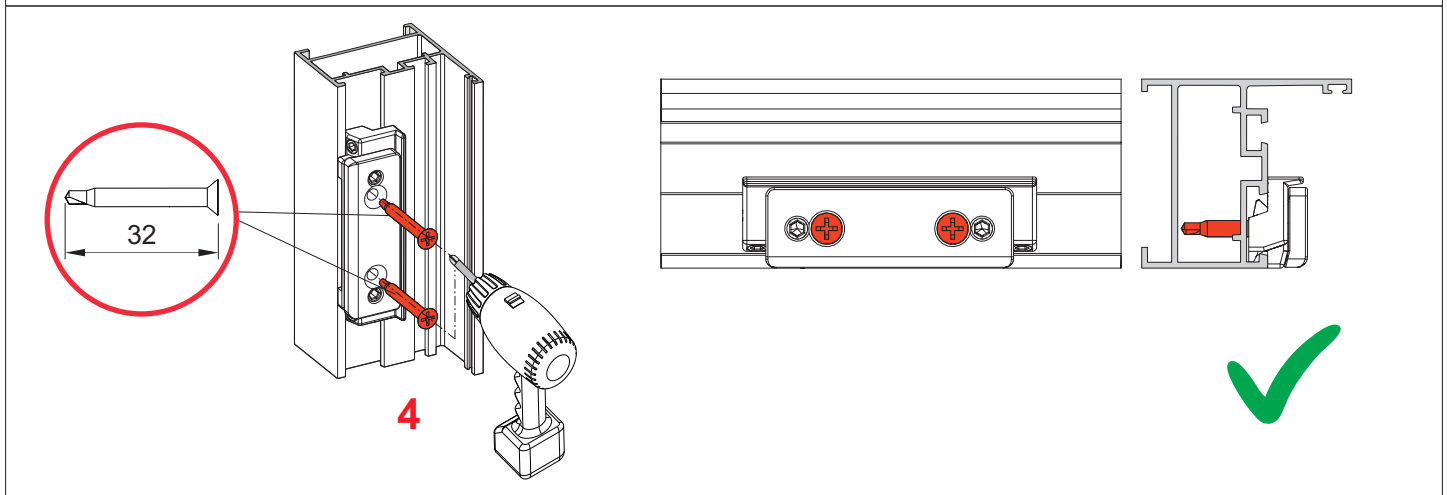
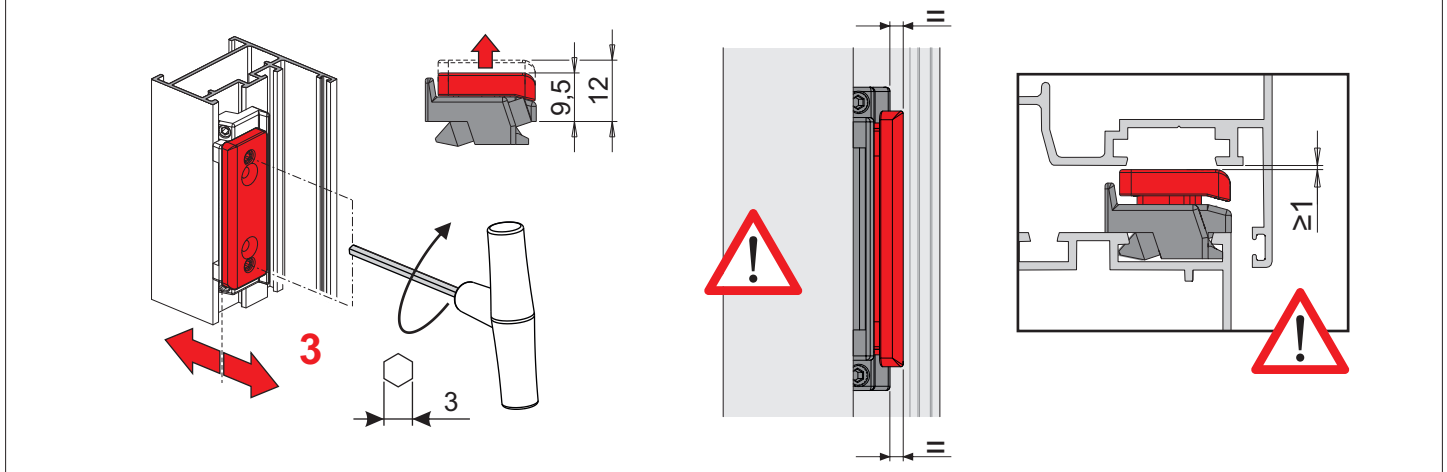
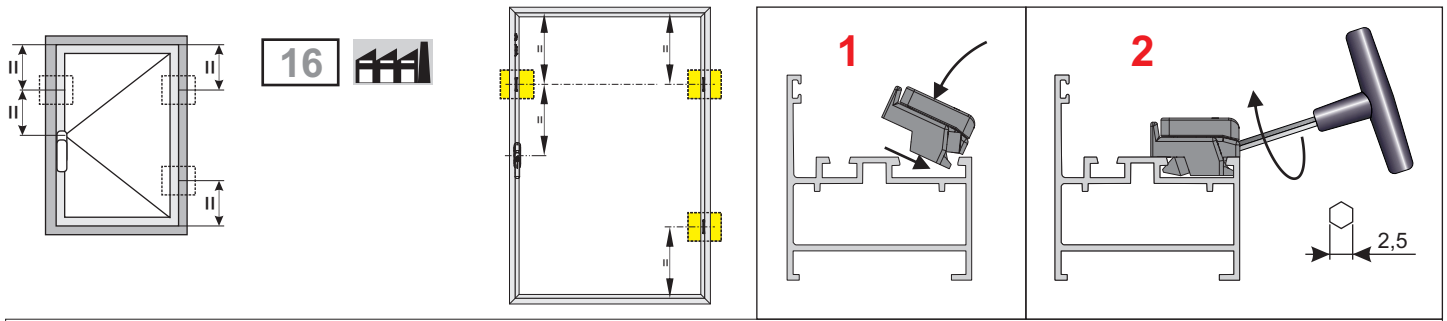
# FUTURA



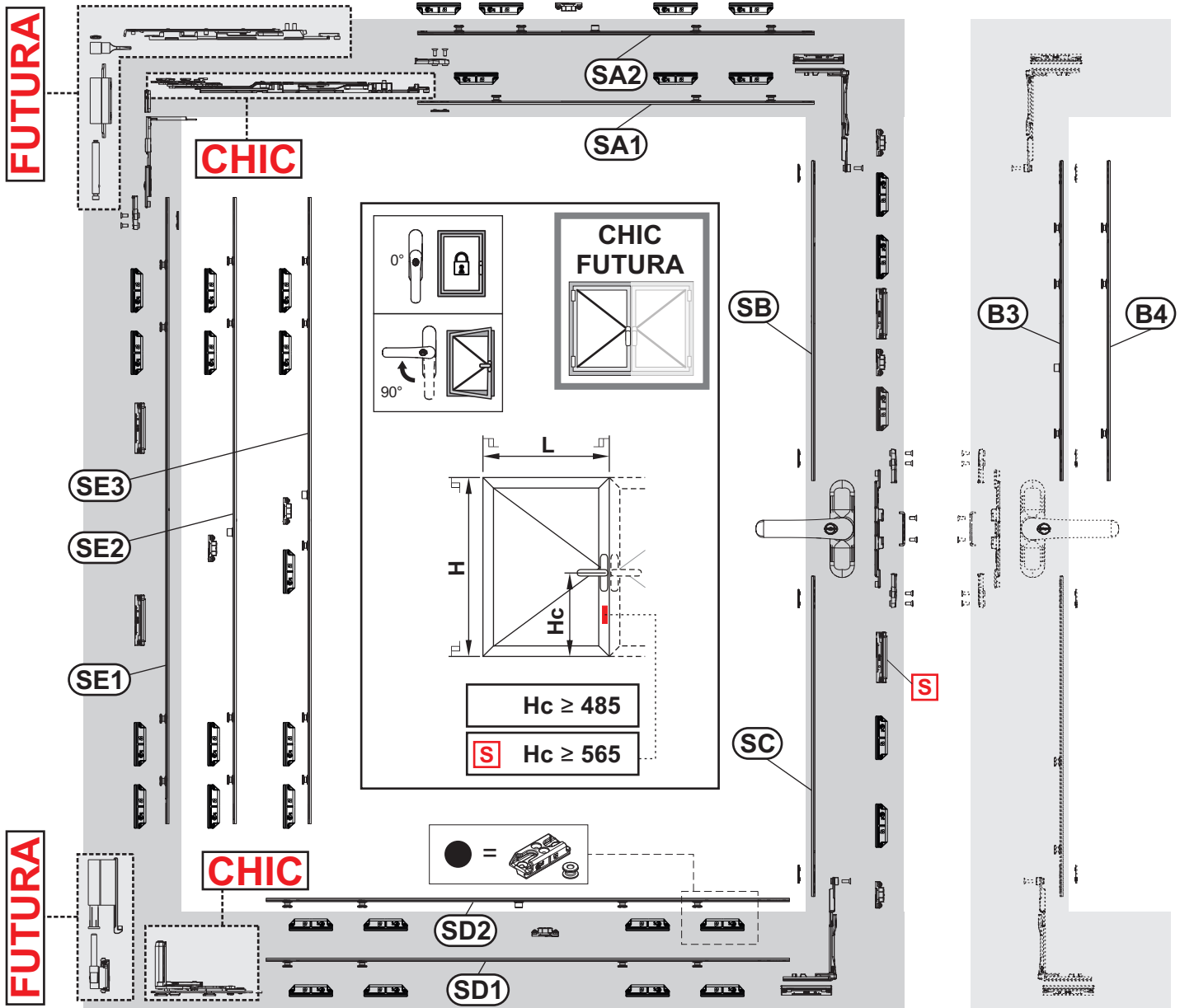
15







CALCOLO RELATIVO AL TAGLIO ASTE - CÁLCULO RELATIVO AL CORTE DE LAS VARILLAS  
 ΥΠΟΛΟΓΙΣΜΟΣ ΚΟΠΗΣ ΛΑΜΑΚΙΩΝ - ROD CUTTING CALCULATIONS - BERECHNUNG DER STANGENLÄNGEN  
 CALCUL RELATIF À LA COUPE DES TRINGLES - РАСЧЕТ ДЛЯ РЕЗКИ ШТАНГ

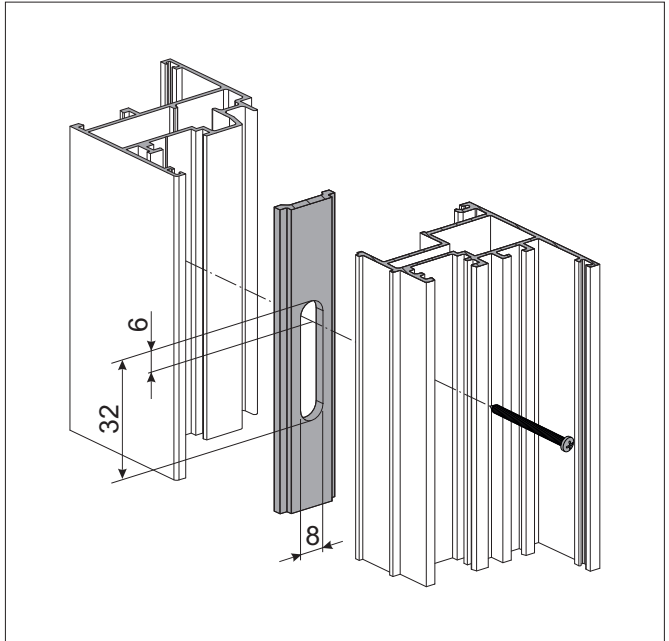
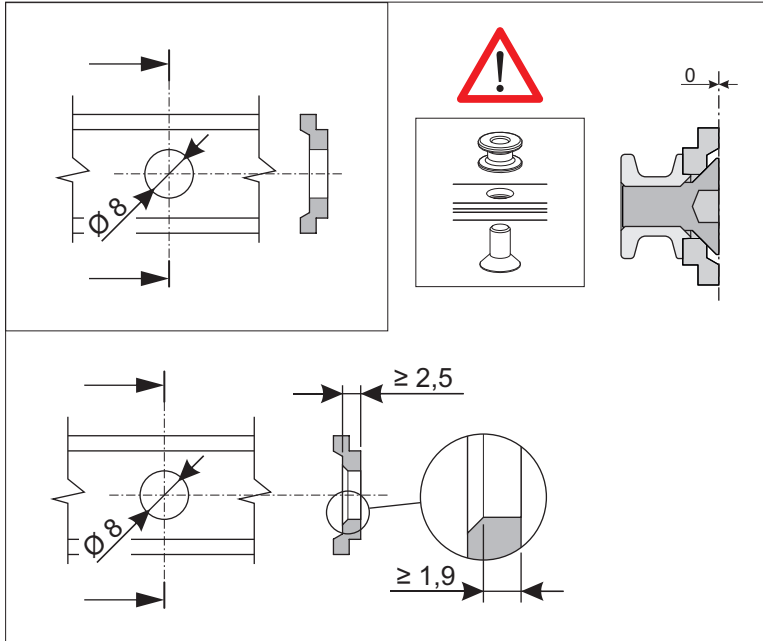


**CHIC**

2800	<p>17</p>	SA1=L-415 SB2=H-Hc-207 SC=Hc-207 SD1=L-212 SE3=H-295 B3=H-Hc-207	<p>18</p>	SA2=L-415 SB2=H-Hc-207 SC=Hc-207 SD2=L-212 SE3=H-295 B3=H-Hc-207	
1500	<p>15</p>	SA1=L-415 SB1=H-Hc-207 SC=Hc-207 SD1=L-212 SE1/SE2=H-295 B4=H-Hc-207	<p>16</p>	SA2=L-415 SB1=H-Hc-207 SC=Hc-207 SD2=L-212 SE1/SE2=H-295 B4=H-Hc-207	
1200	<b>S</b>				
1120					
	770	T1	1000	T1	1600

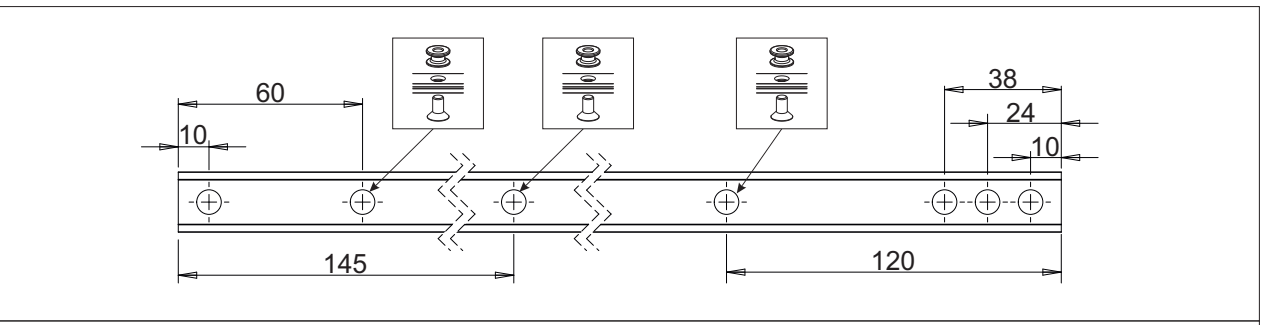
**FUTURA**

2800	<p>17</p>	SA1=L-355 SB2=H-Hc-207 SC=Hc-207 SD1=L-212 SE3=H-295 B3=H-Hc-207	<p>18</p>	SA2=L-355 SB2=H-Hc-207 SC=Hc-207 SD2=L-212 SE3=H-295 B3=H-Hc-207	
1500	<p>15</p>	SA1=L-355 SB1=H-Hc-207 SC=Hc-207 SD1=L-212 SE1/SE2=H-295 B4=H-Hc-207	<p>16</p>	SA2=L-355 SB1=H-Hc-207 SC=Hc-207 SD2=L-212 SE1/SE2=H-295 B4=H-Hc-207	
1200	<b>S</b>				
1120					
	720	T1	1000	T1	1600



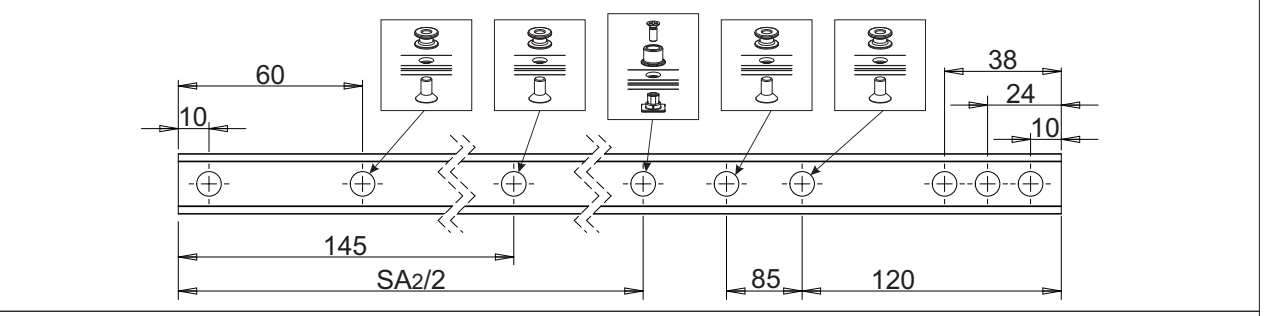
**SA1**

$L \leq 1000$



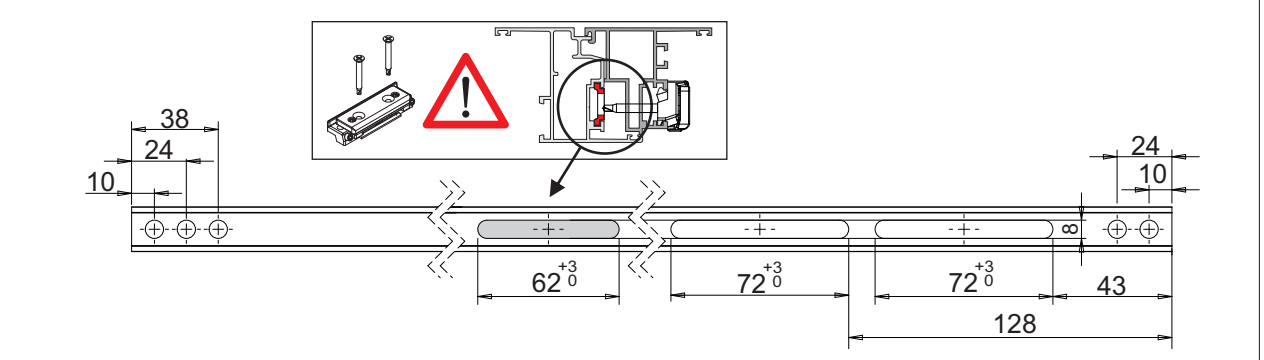
**SA2**

$L > 1000$



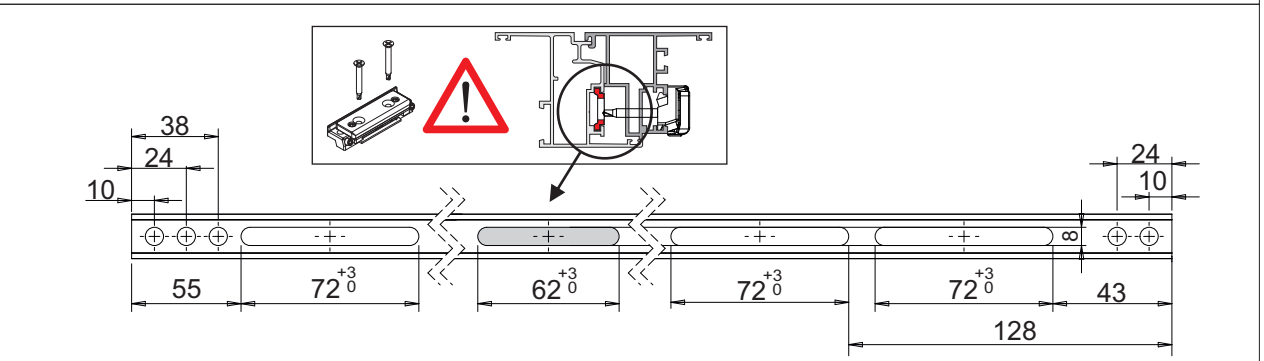
**SB1**

$H < 1500$

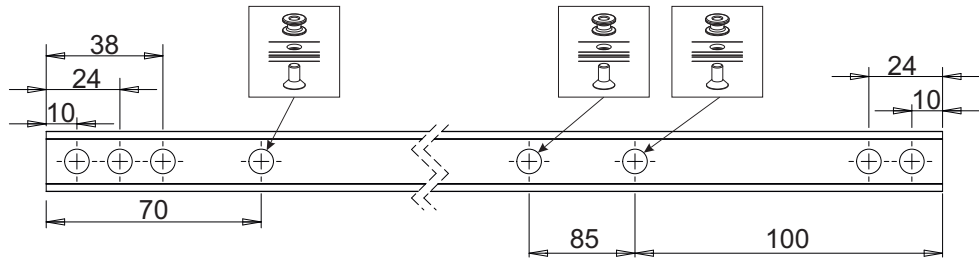
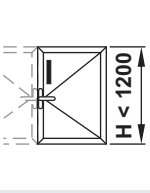


**SB2**

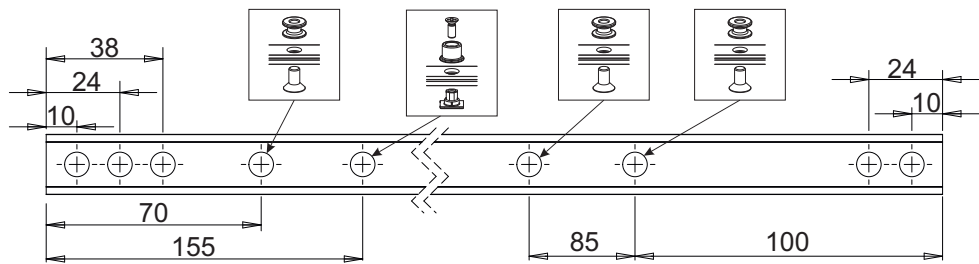
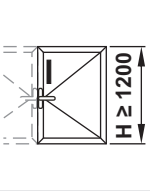
$H \geq 1500$



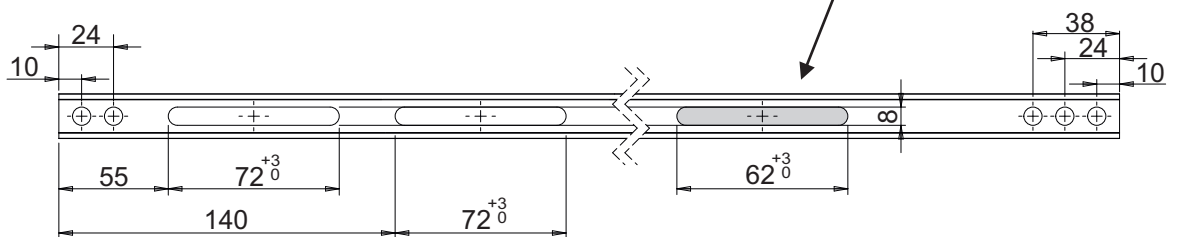
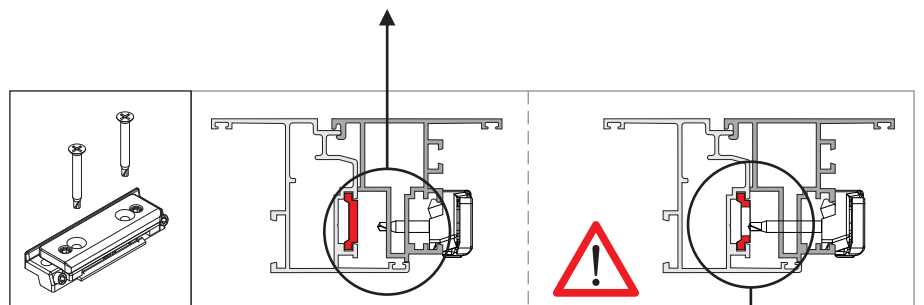
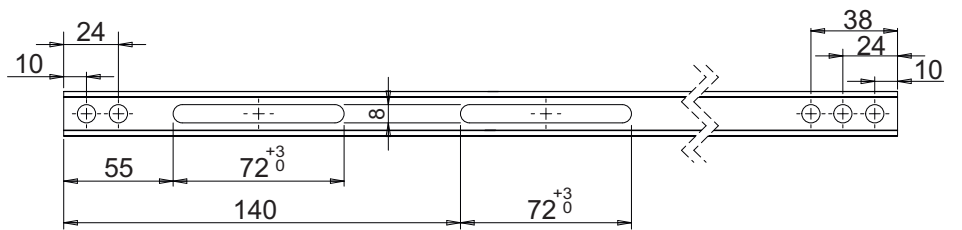
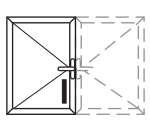
**B4**



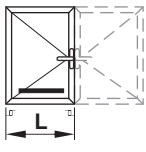
**B3**



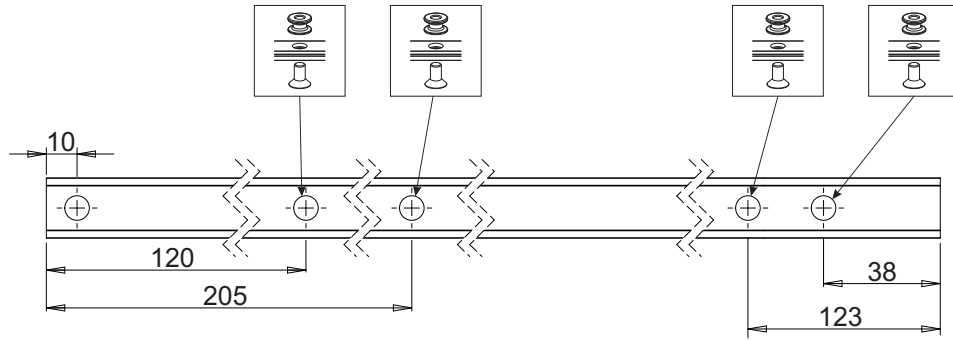
**SC**



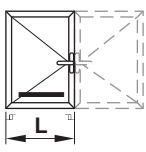
### SD1



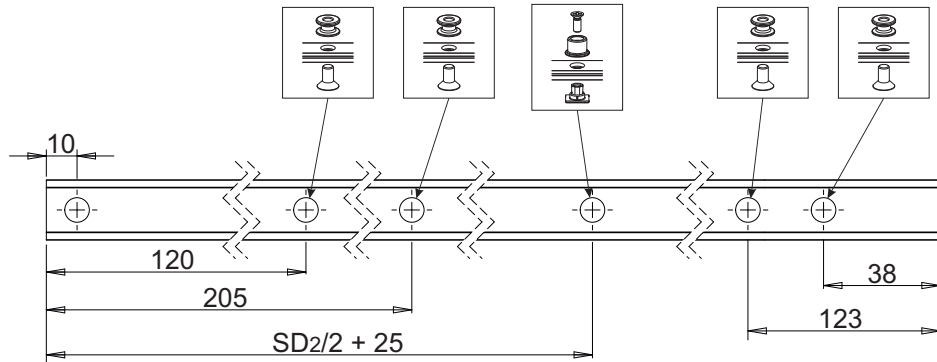
$L \leq 1000$



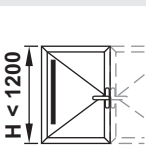
### SD2



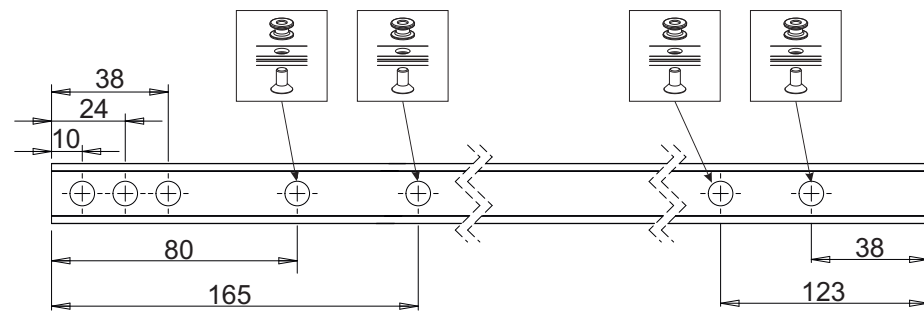
$L > 1000$



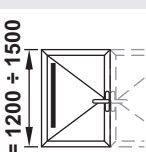
### SE1



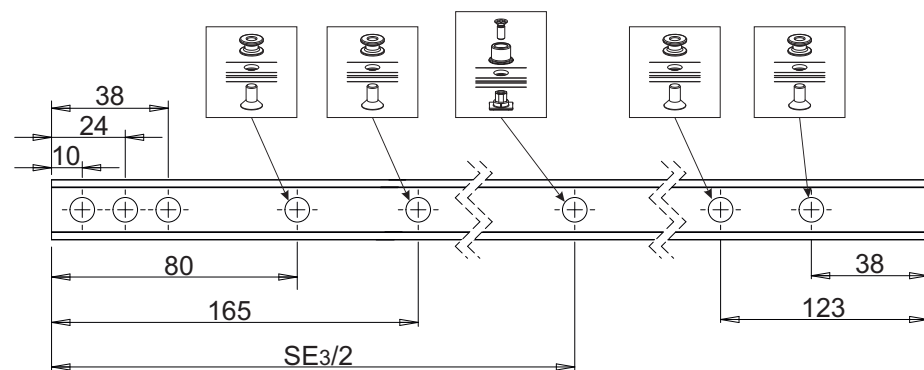
$H < 1200$



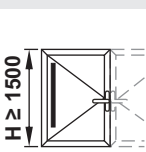
### SE2



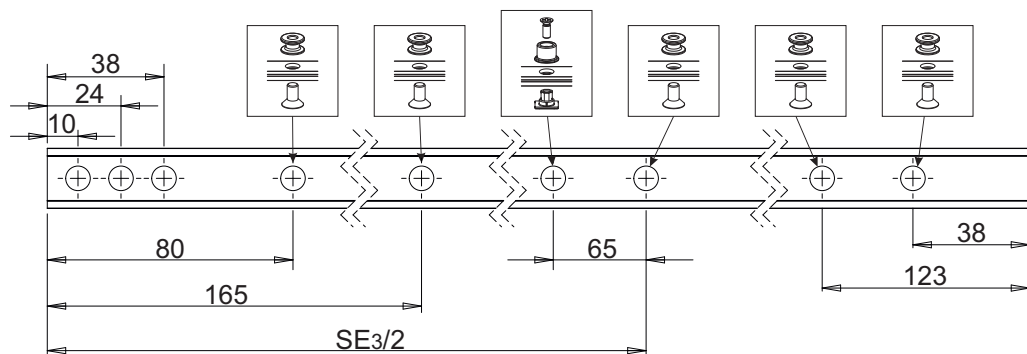
$H = 1200 + 1500$

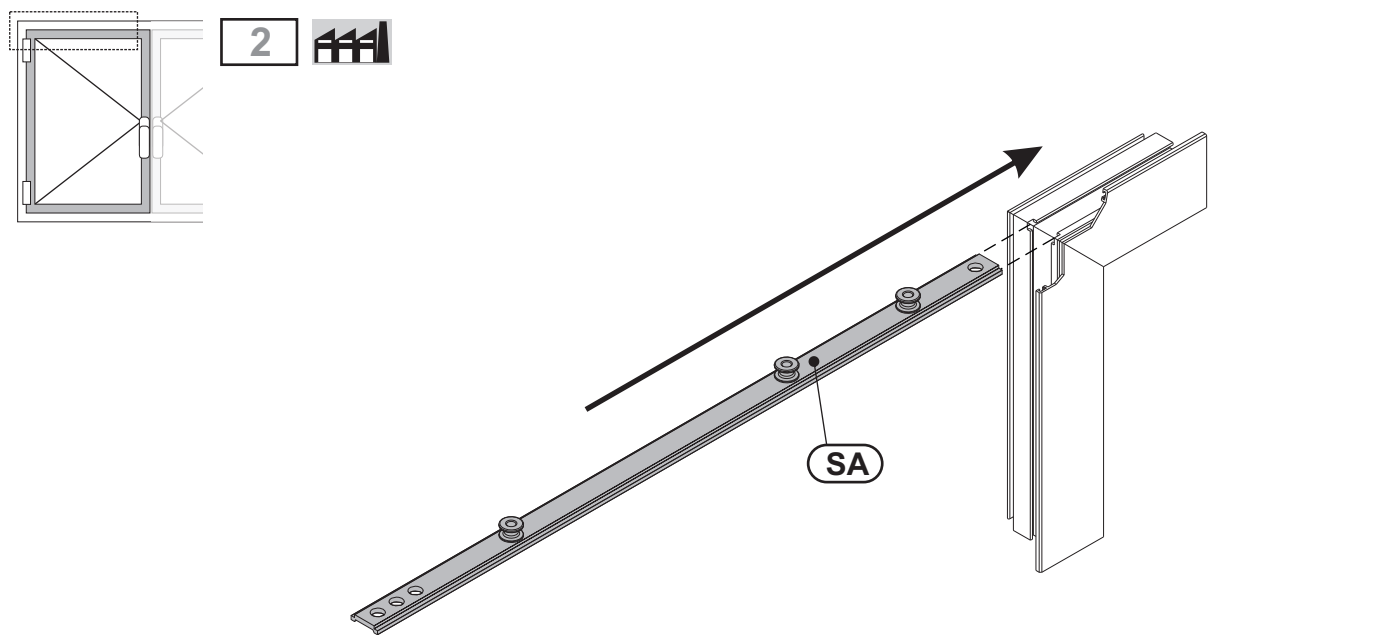
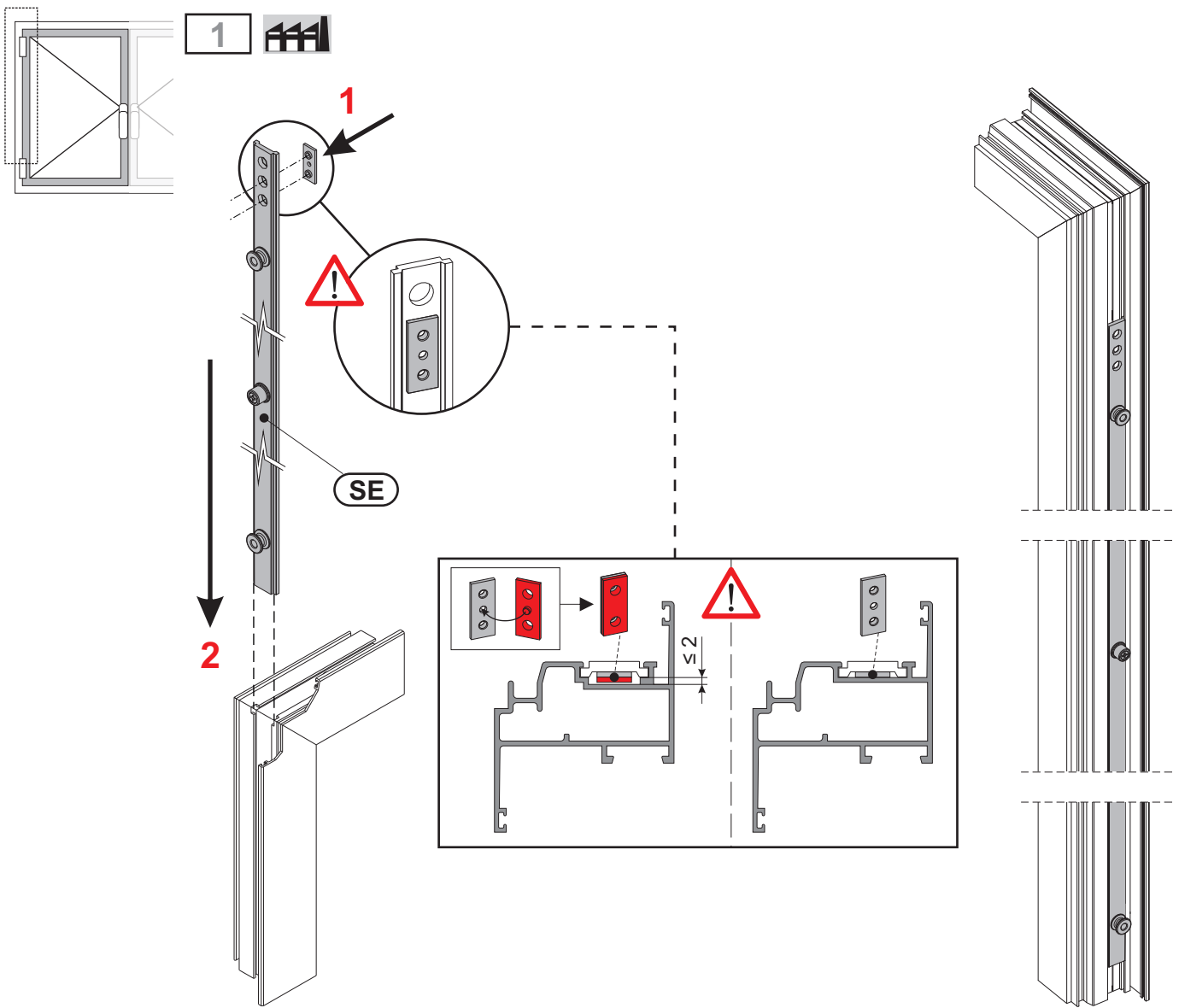


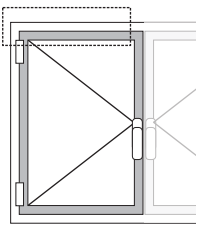
### SE3



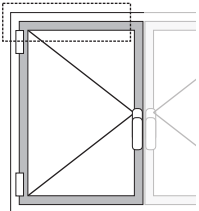
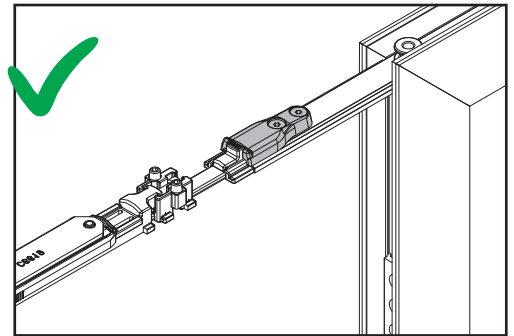
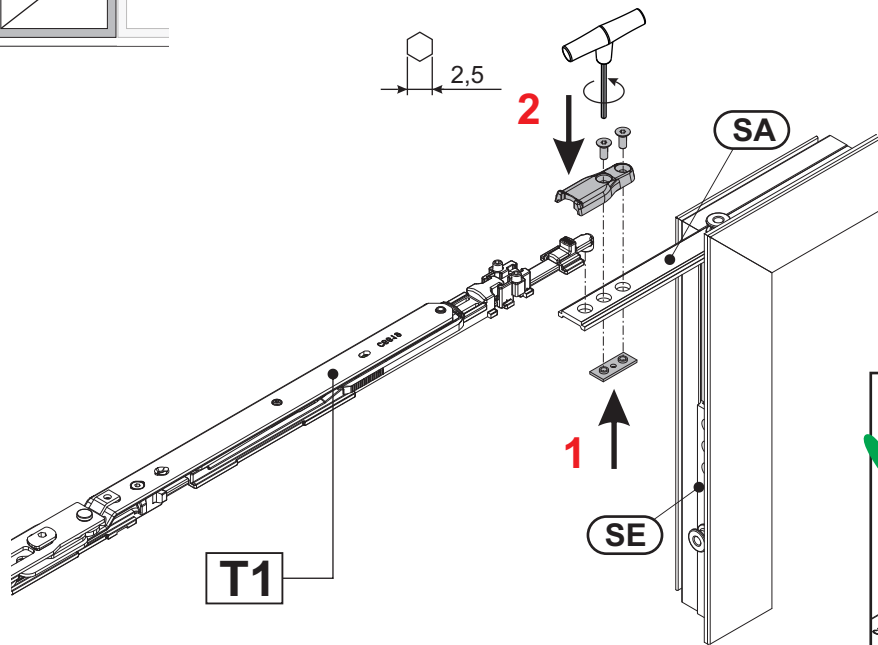
$H \geq 1500$



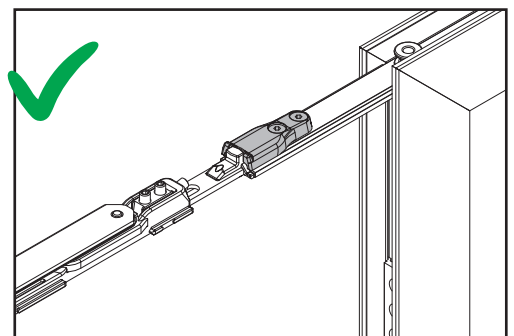
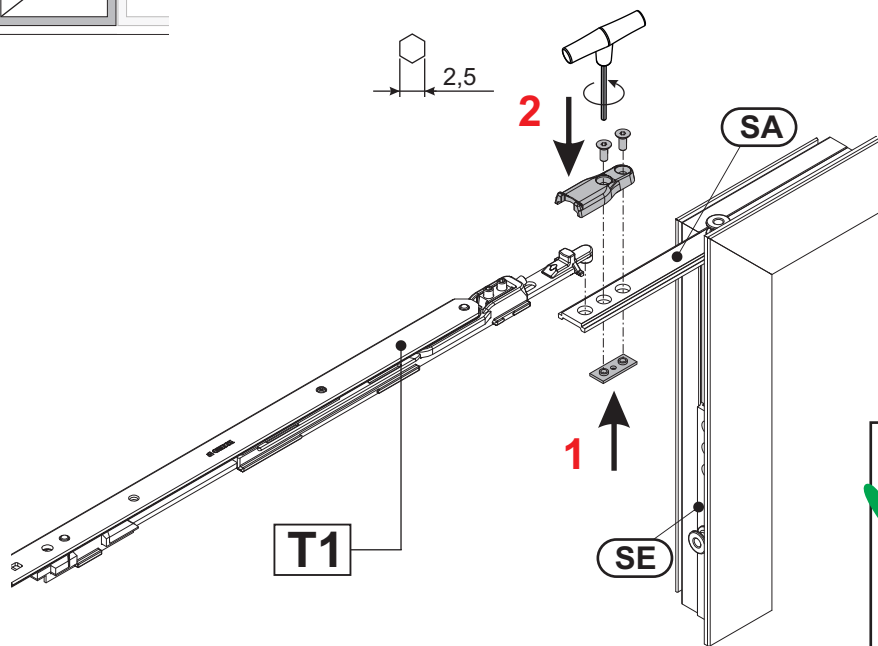


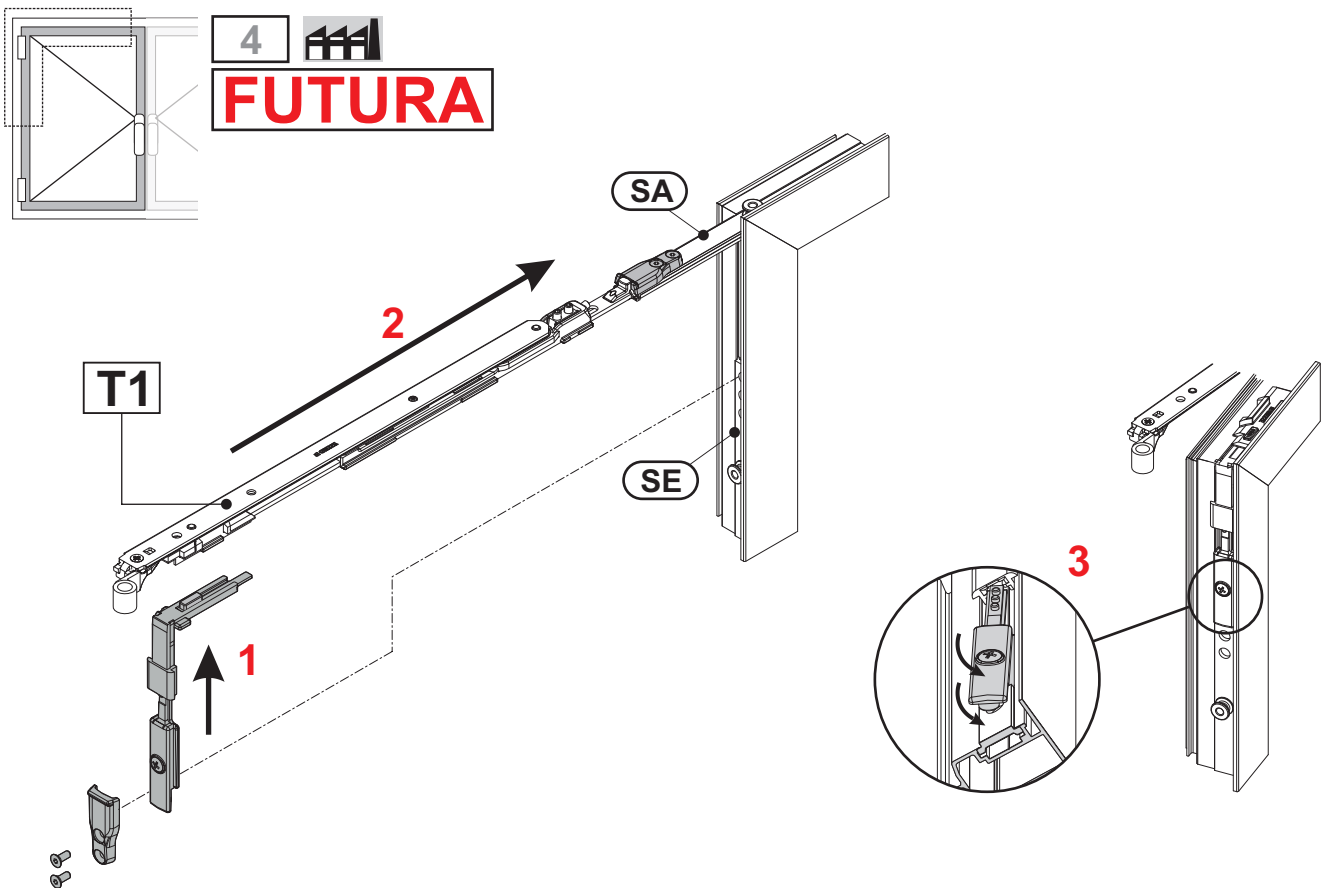
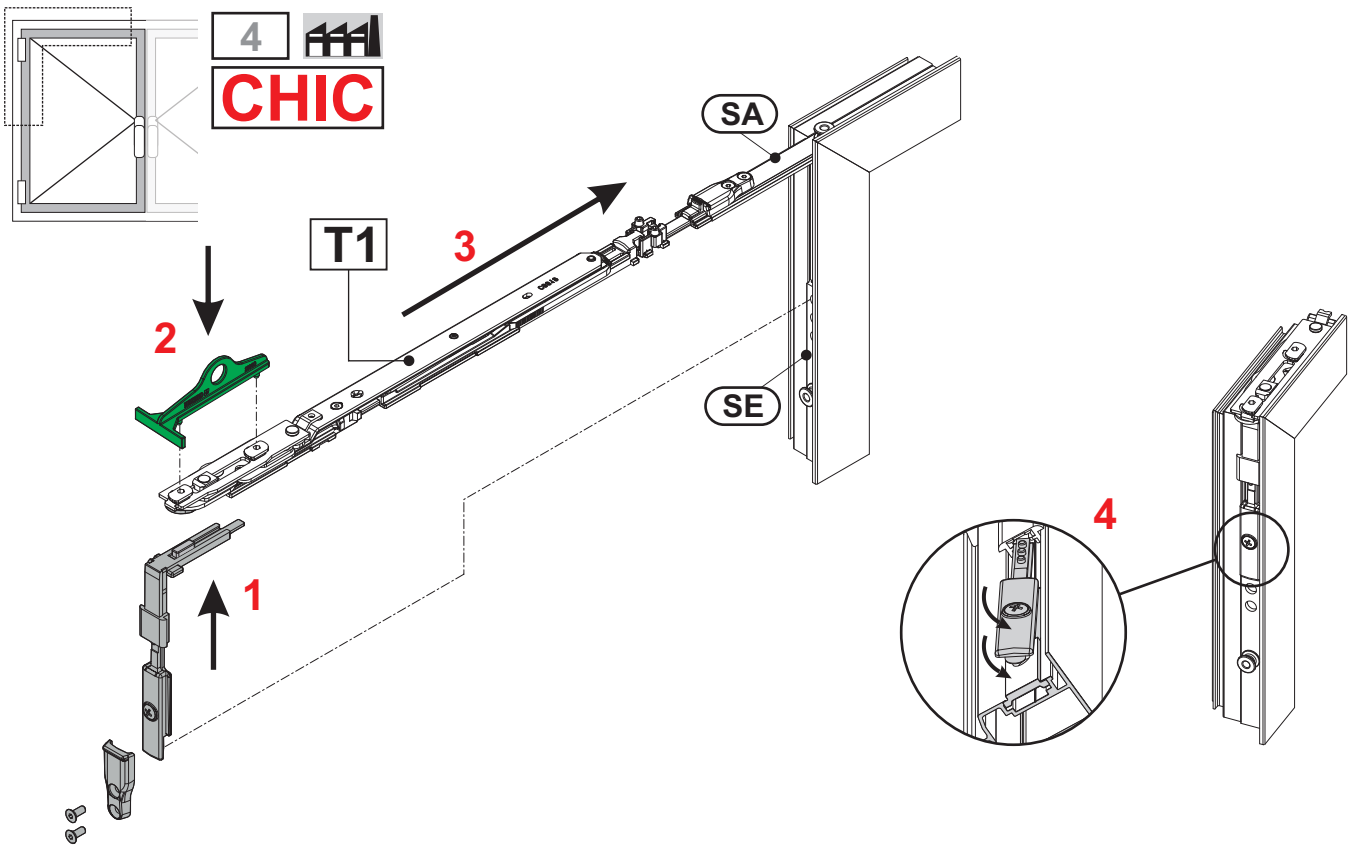


3   
**CHIC**

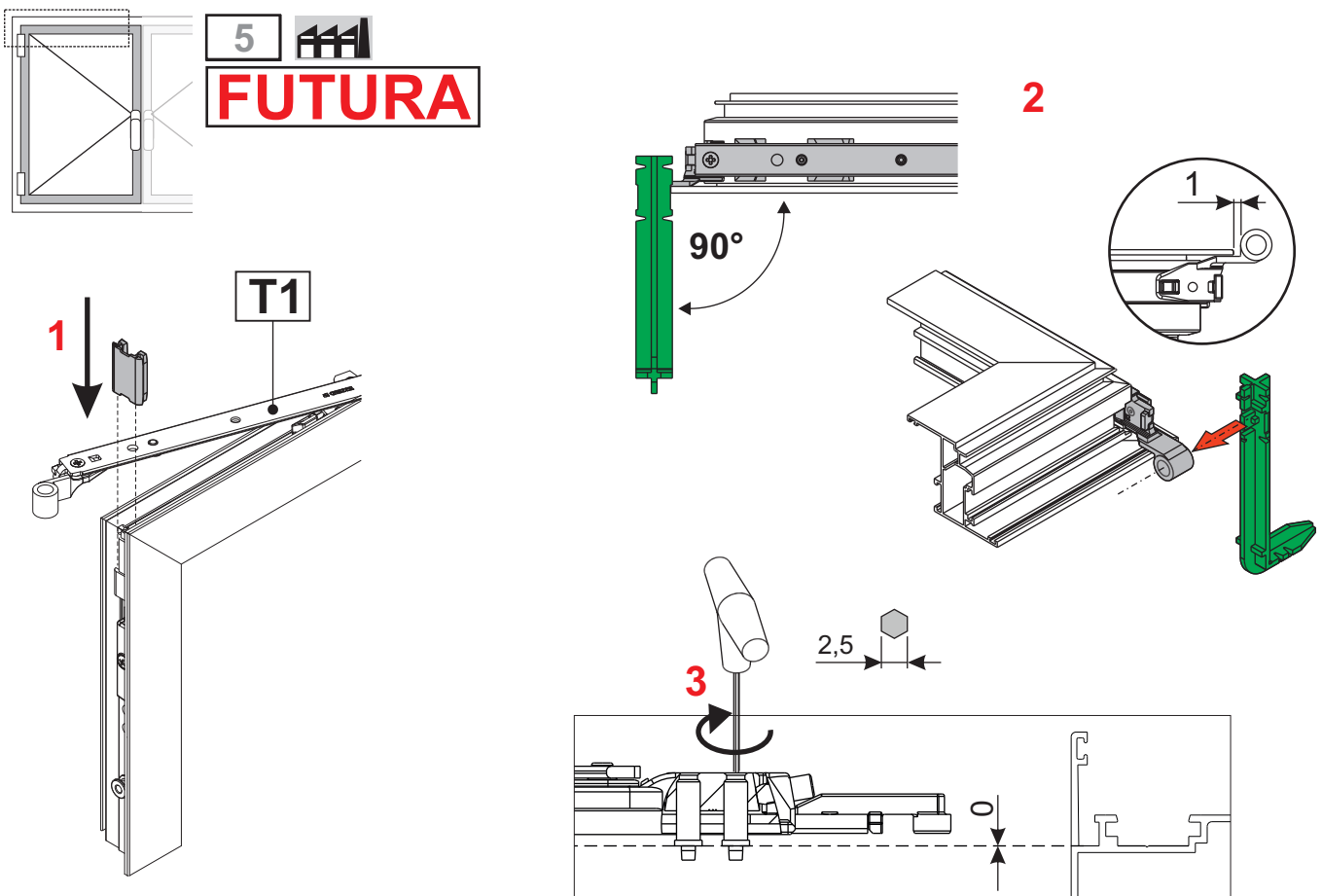
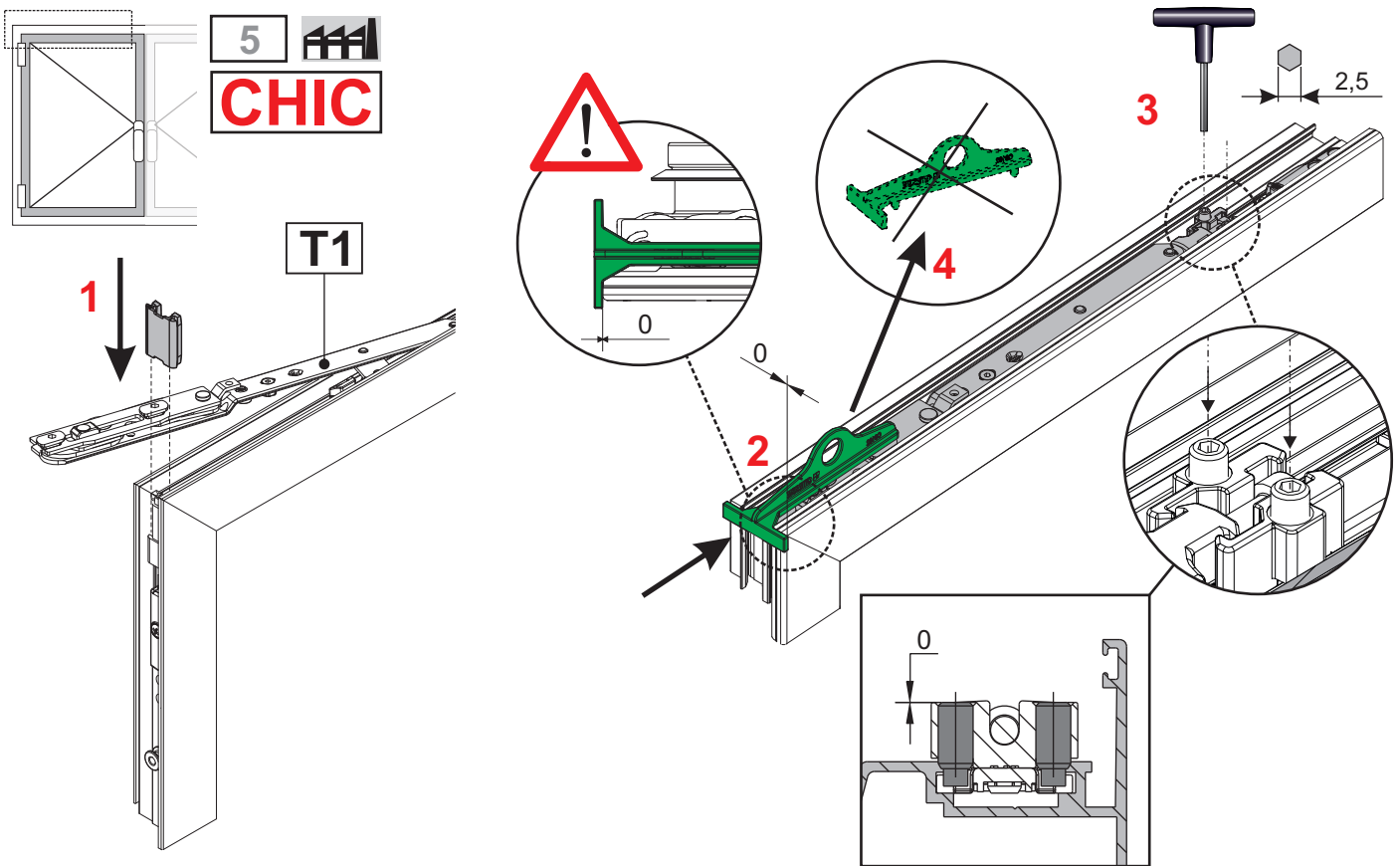


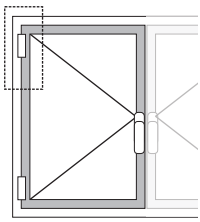
3   
**FUTURA**



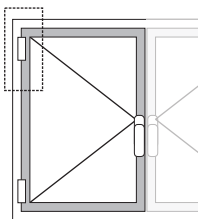
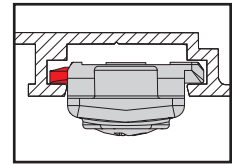
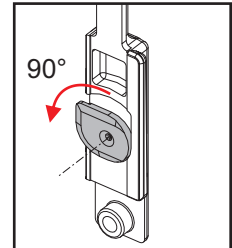
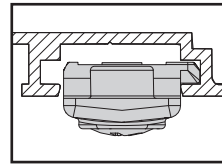
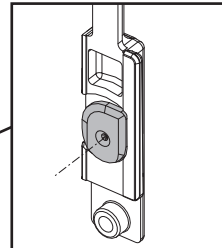
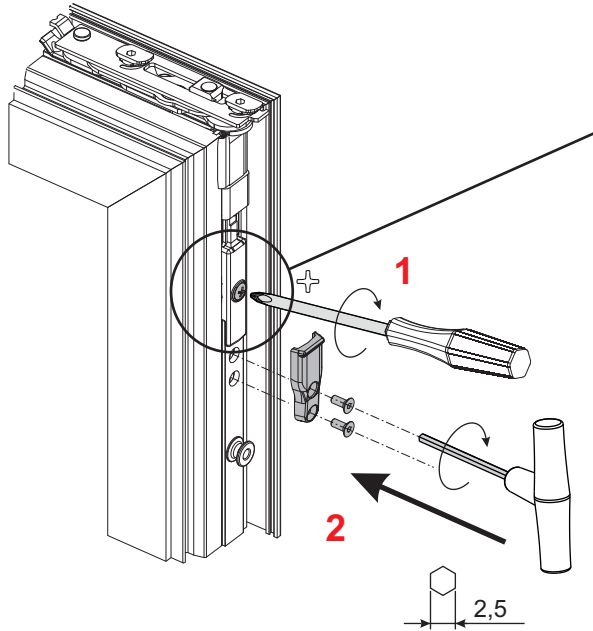




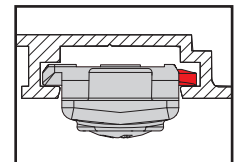
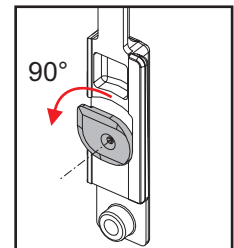
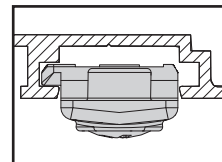
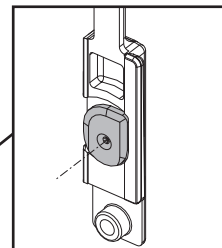
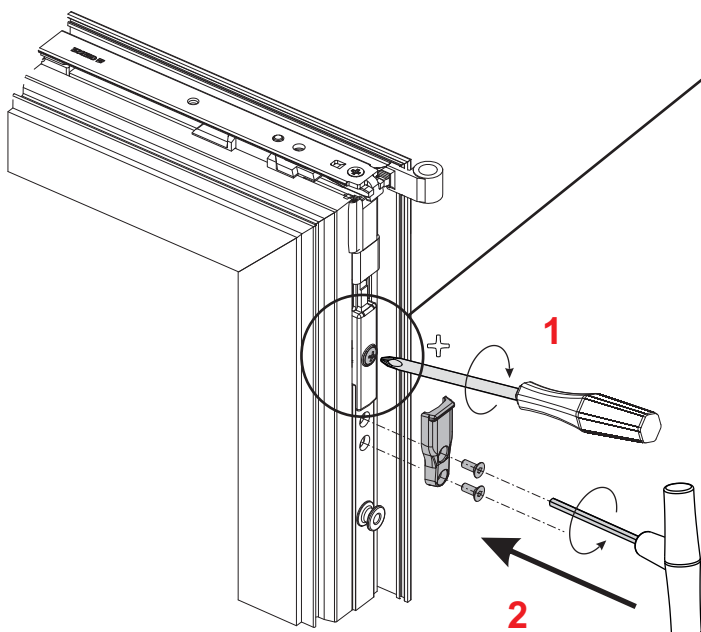


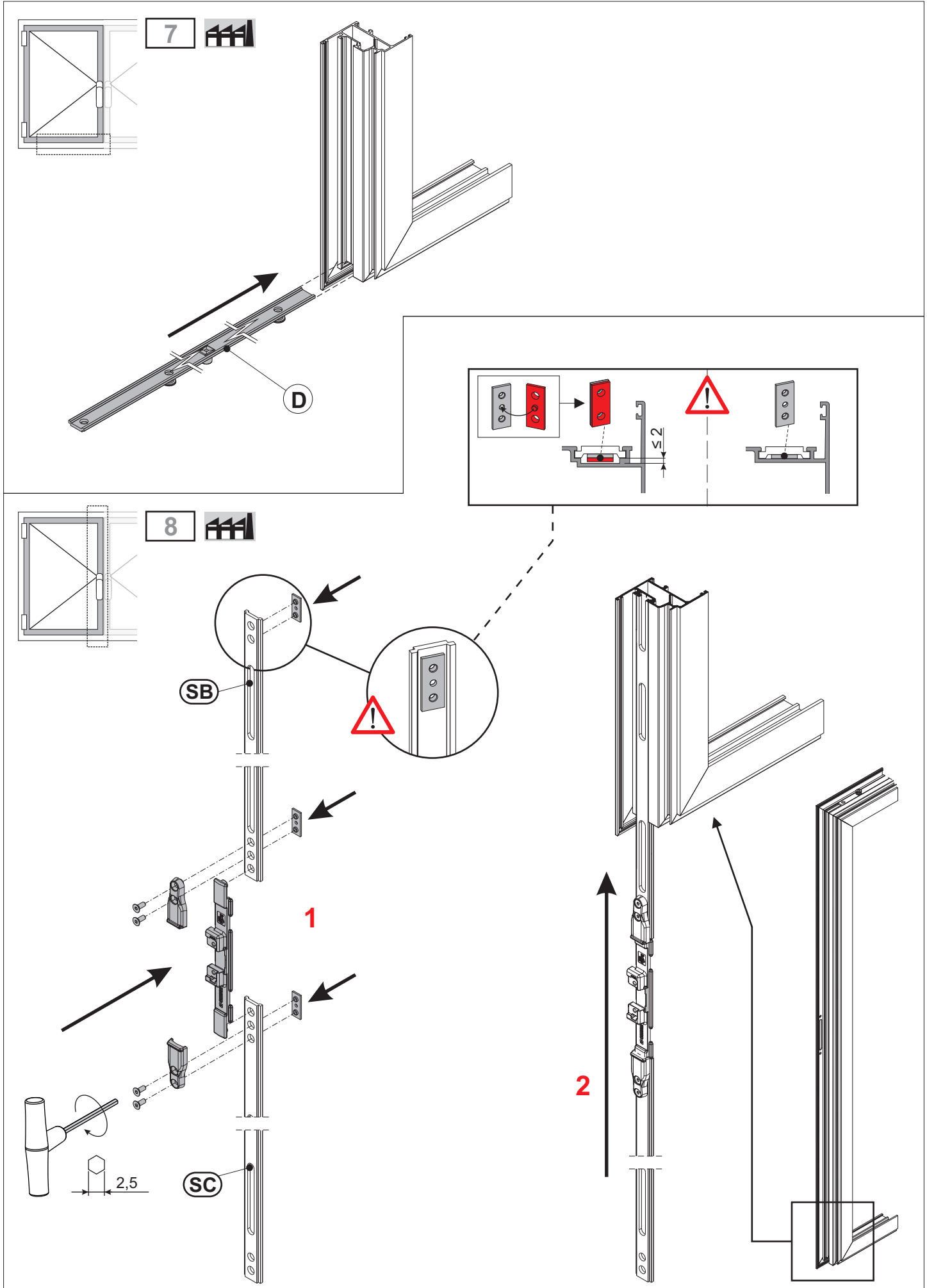


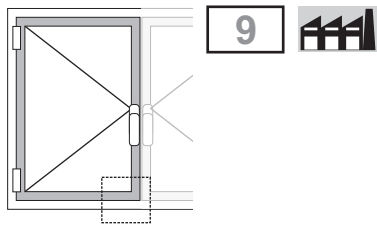
6   
**CHIC**



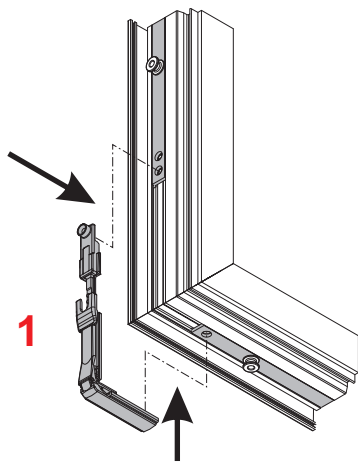
6   
**FUTURA**



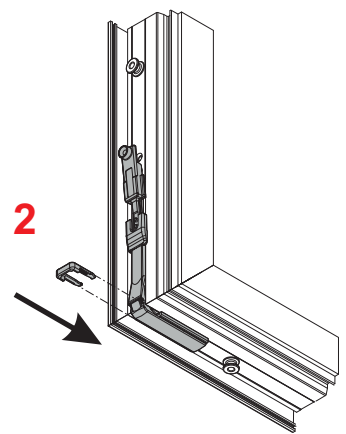




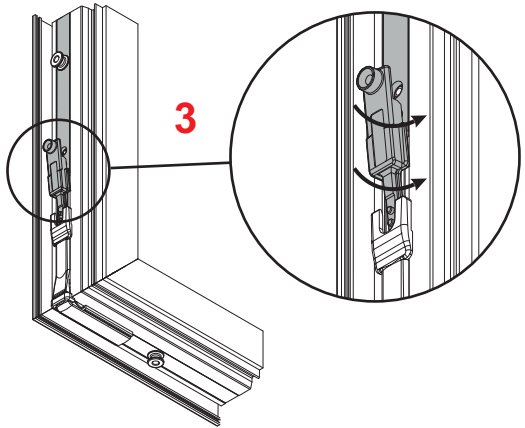
9



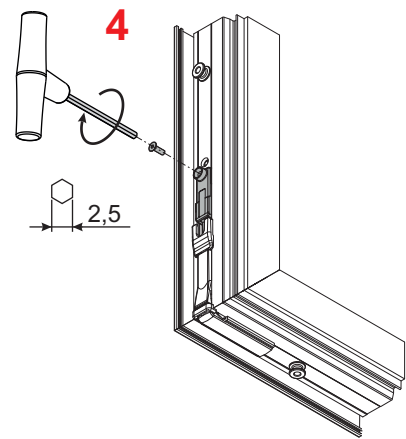
1



2

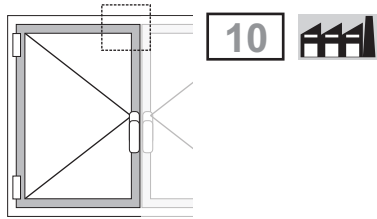


3

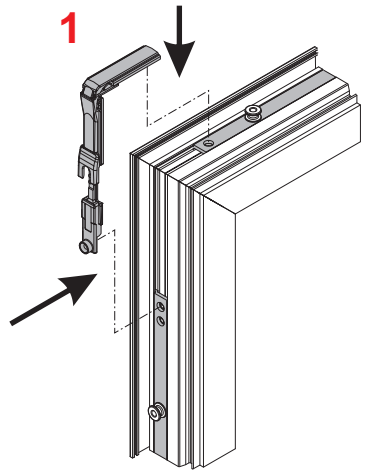


4

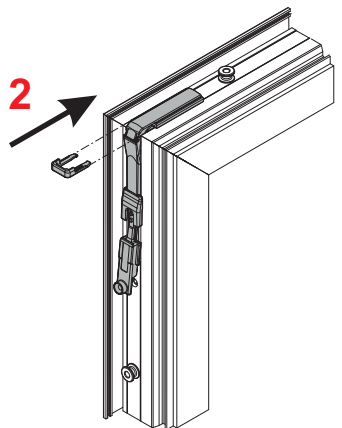
2,5



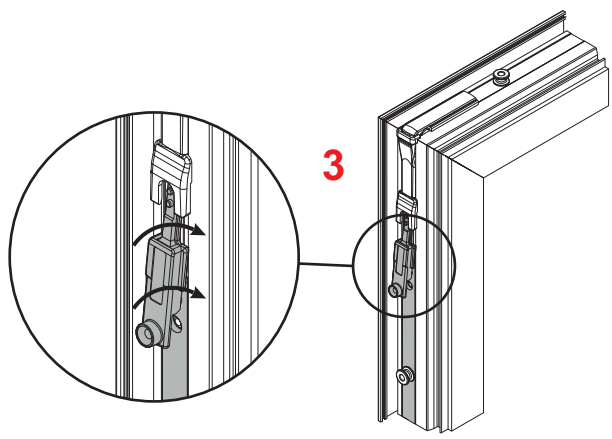
10



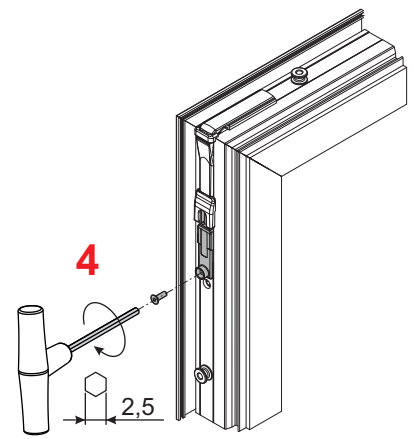
1



2

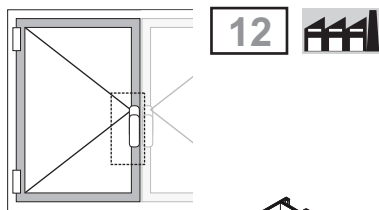
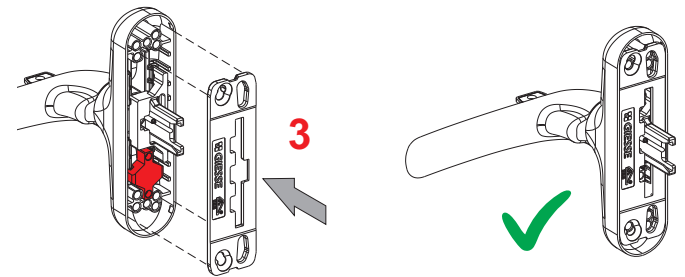
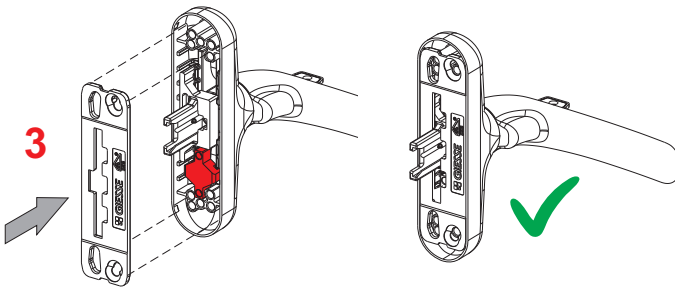
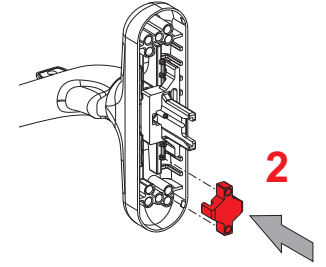
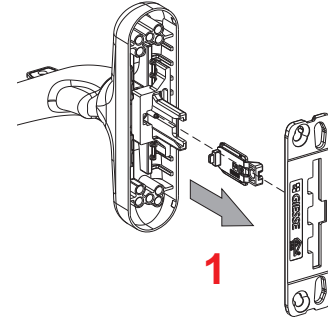
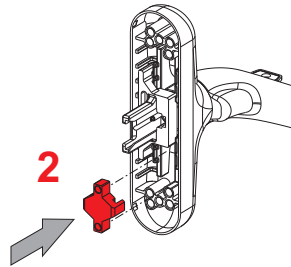
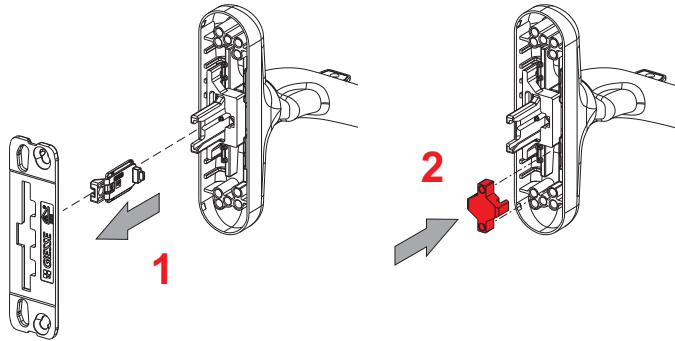


3

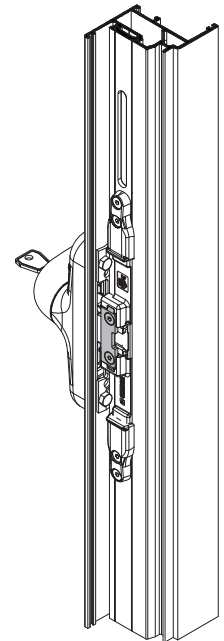
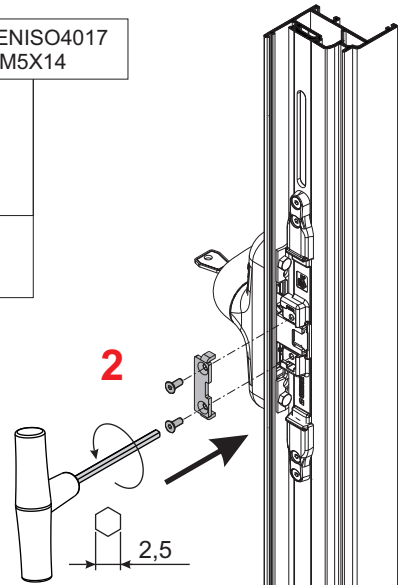
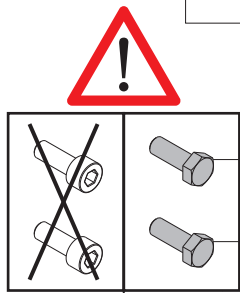


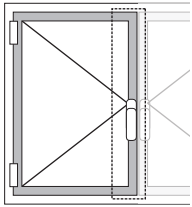
4

2,5

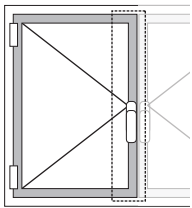
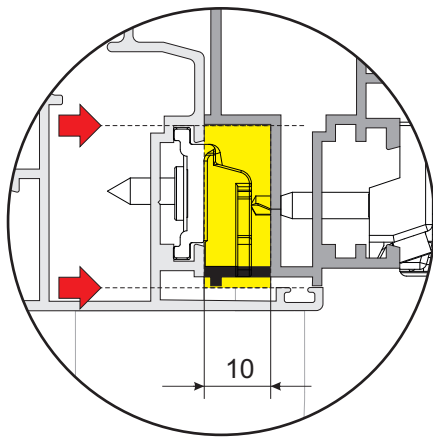
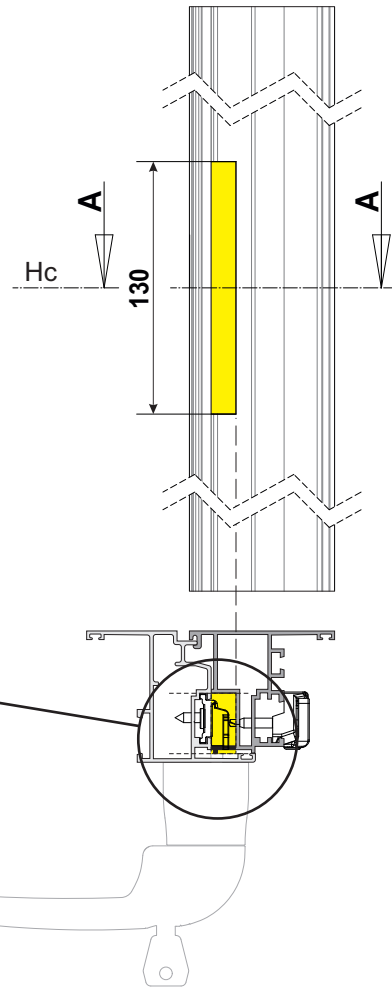
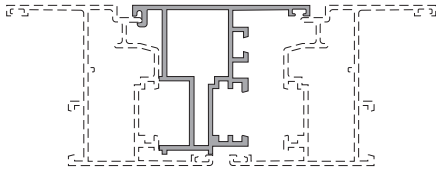


UNIENISO4017  
M5X14

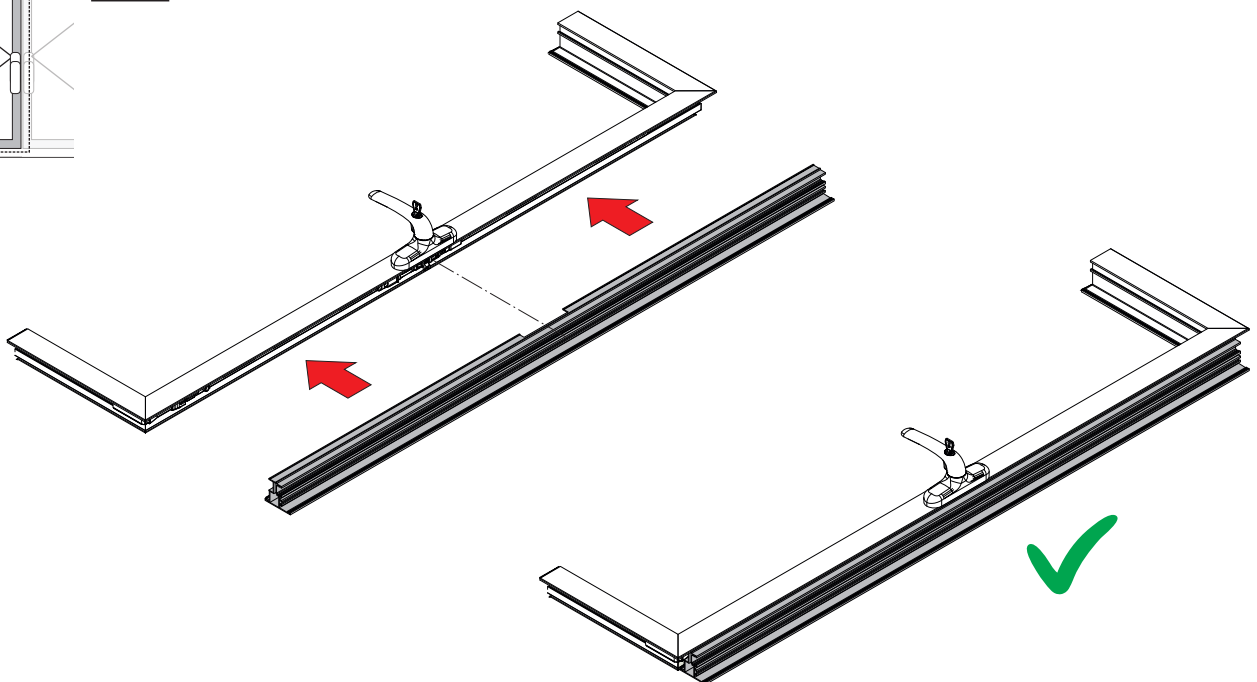


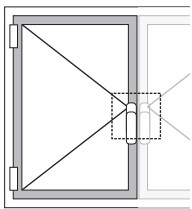


13

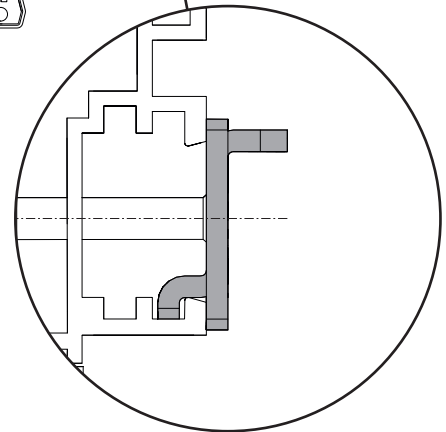
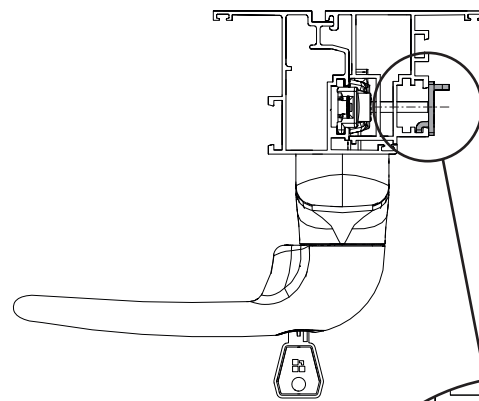
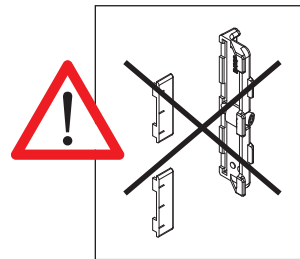
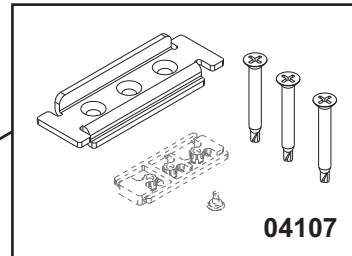
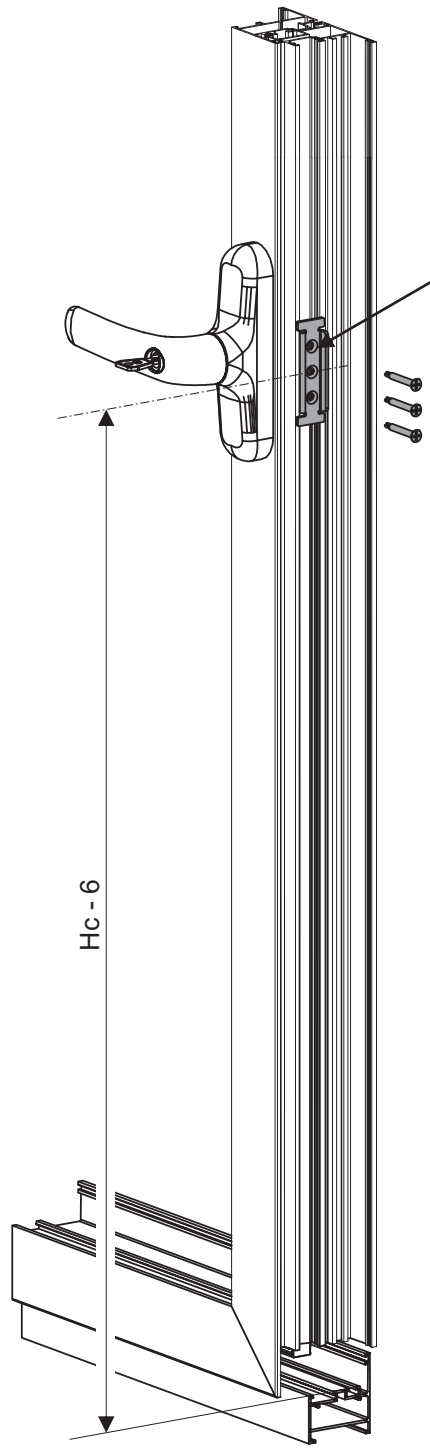


14

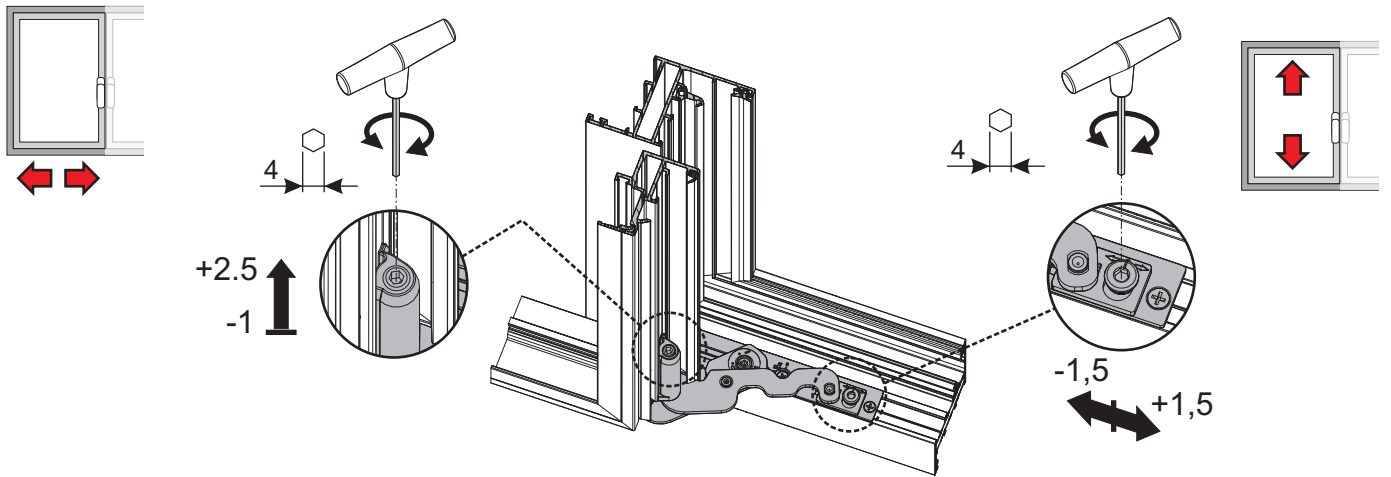
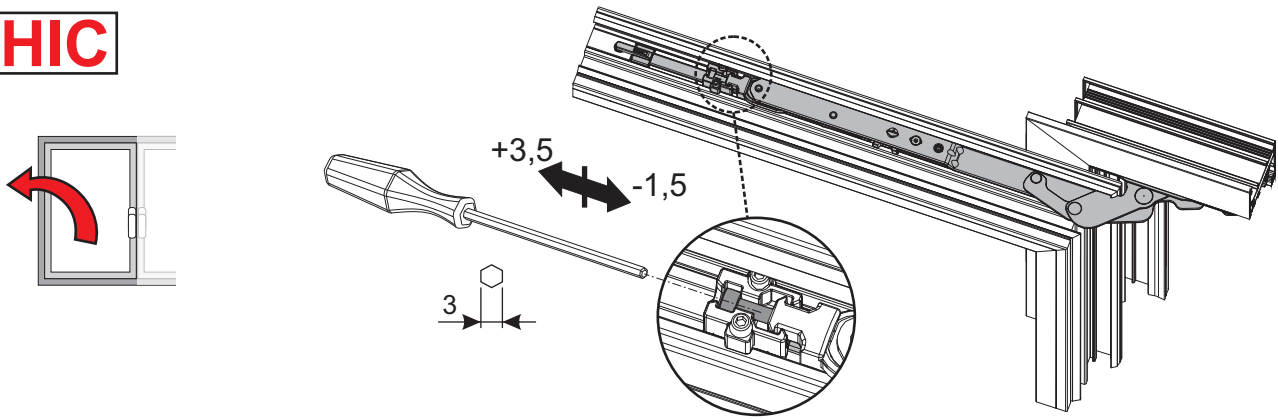




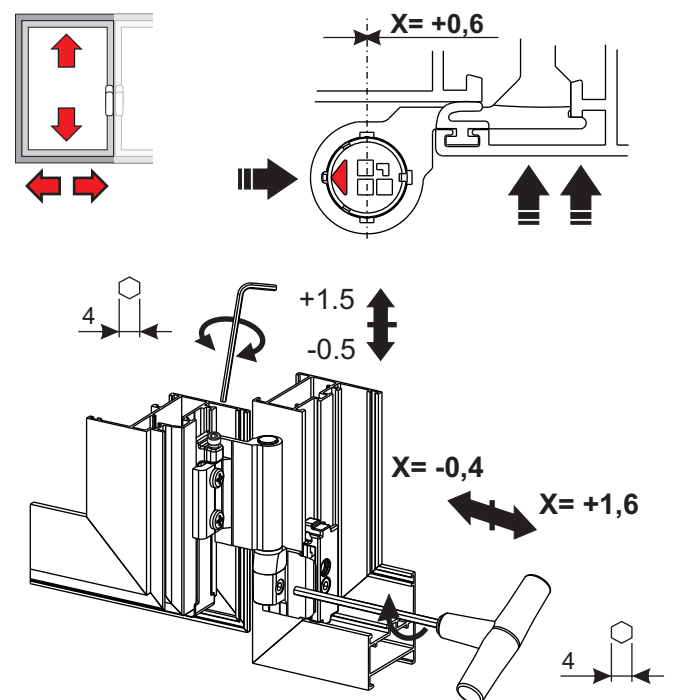
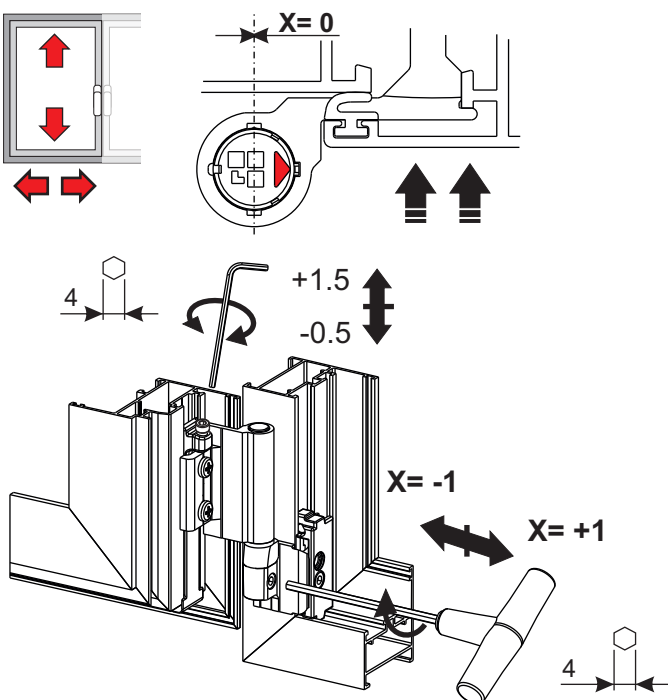
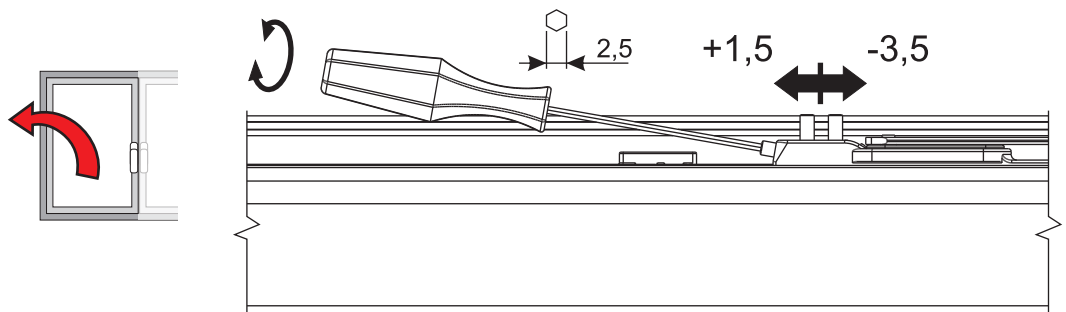
15



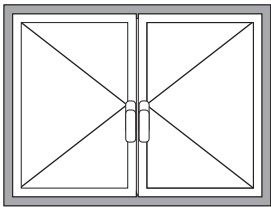
# CHIC



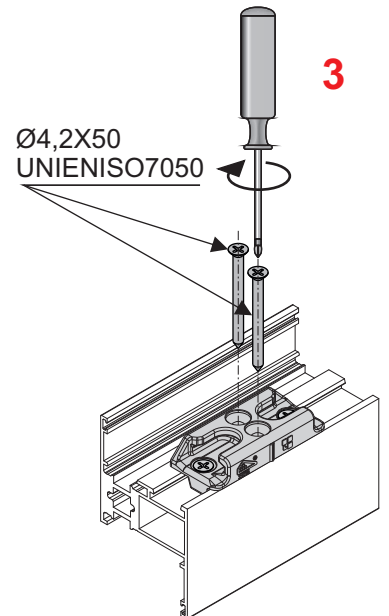
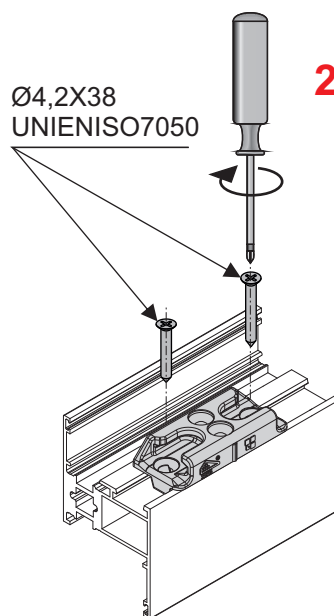
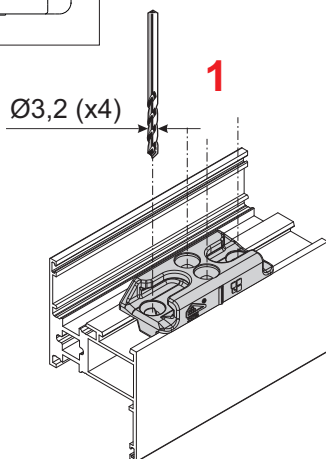
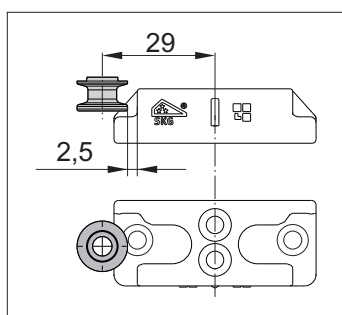
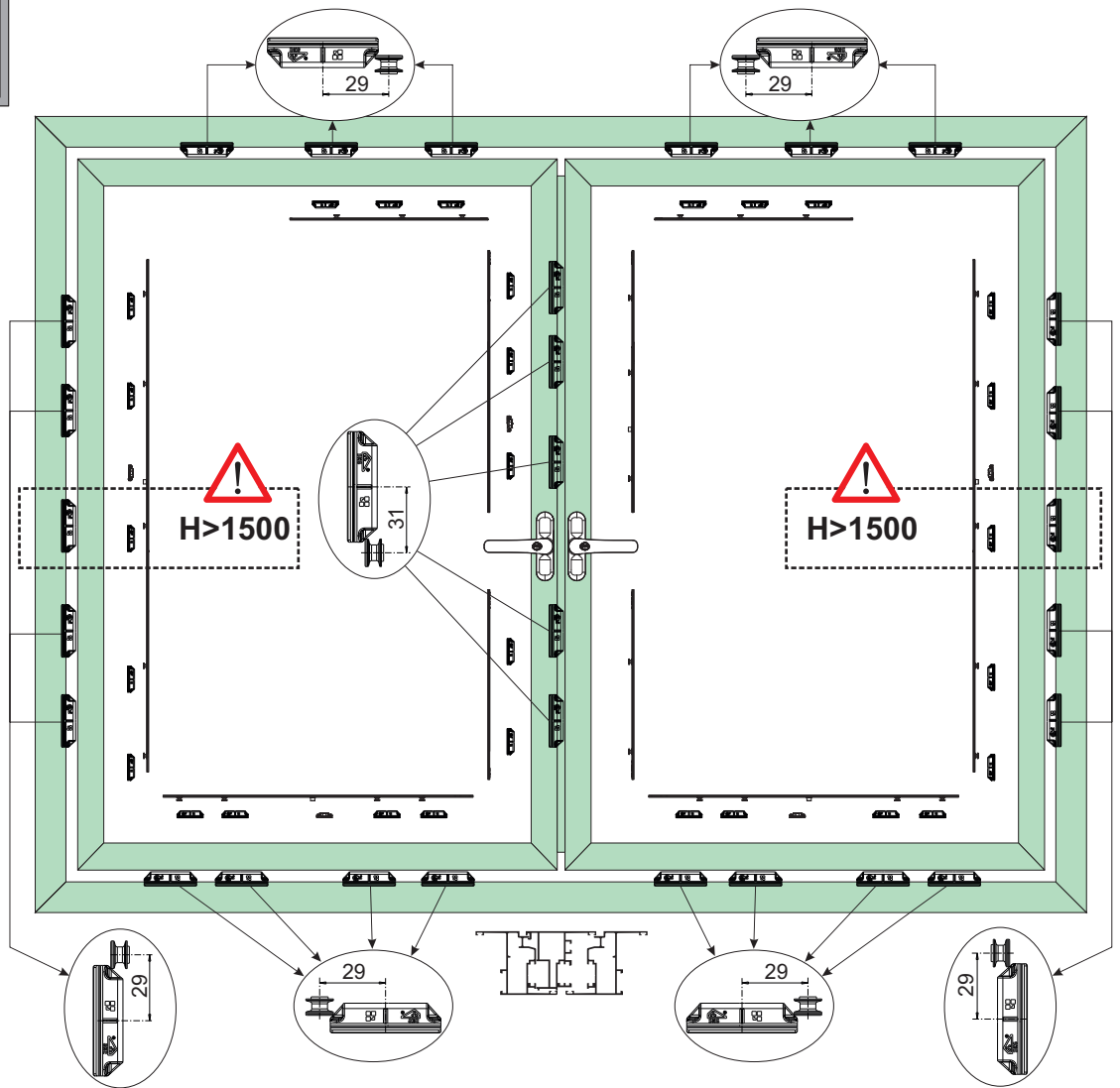
# FUTURA

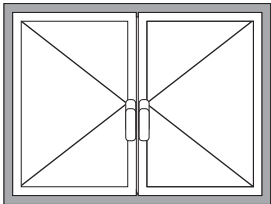




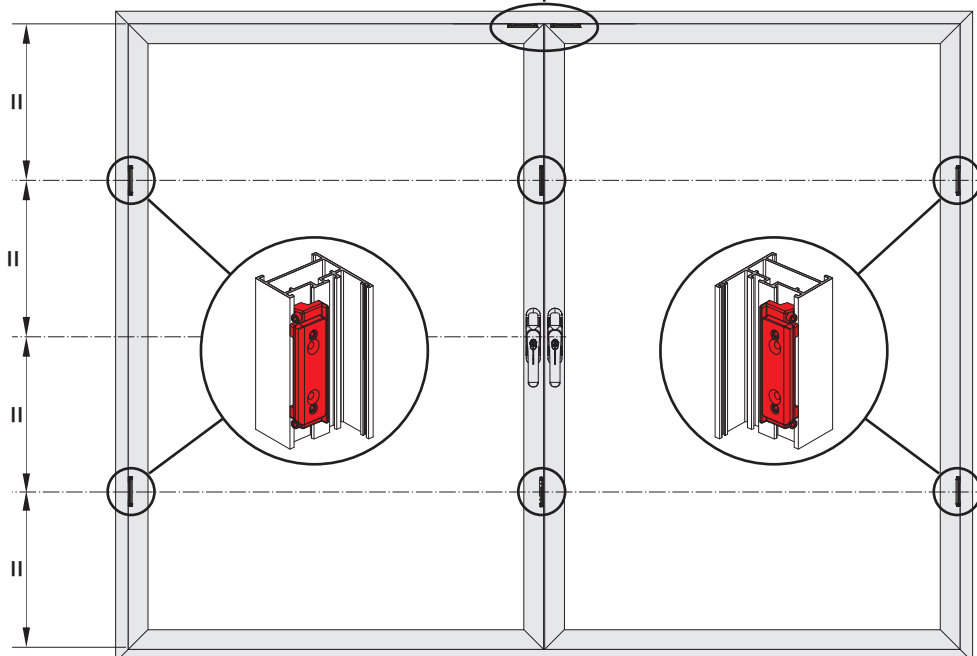
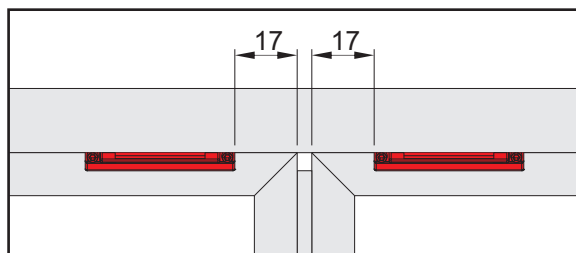
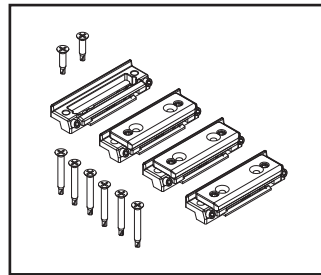


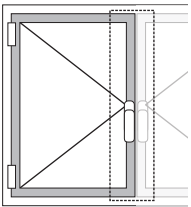
16





17





18

