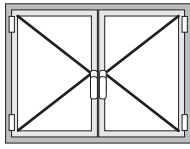
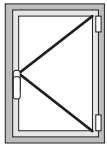
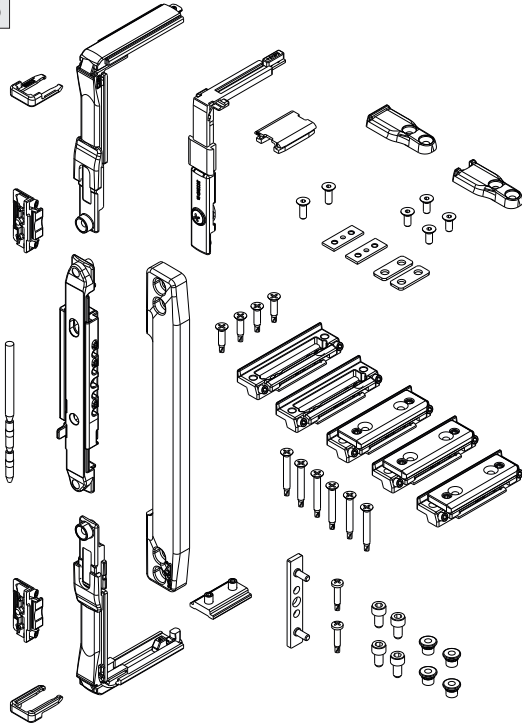


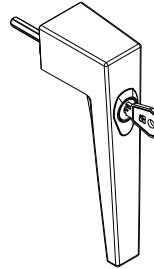
109390020QNI/05-2022



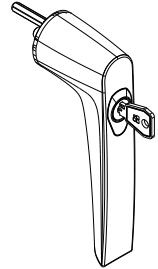
06215



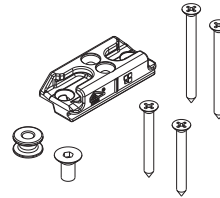
0397101



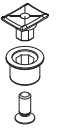
0397401



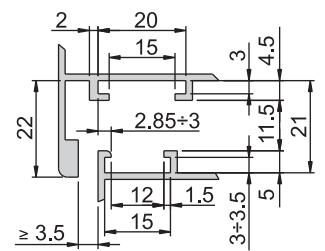
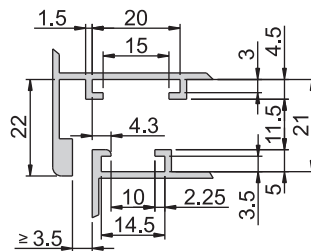
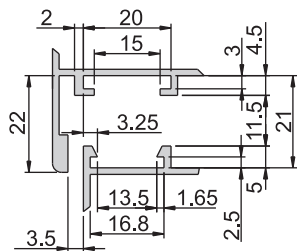
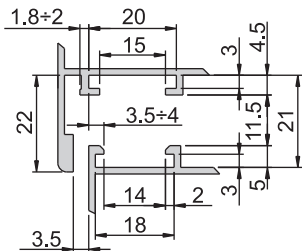
04009



04027K



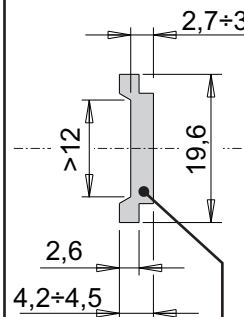
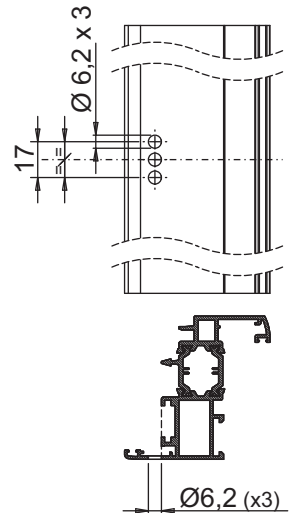
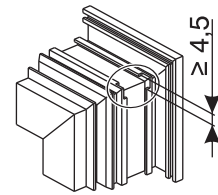
01347K



06215

04009

0397101
0397401

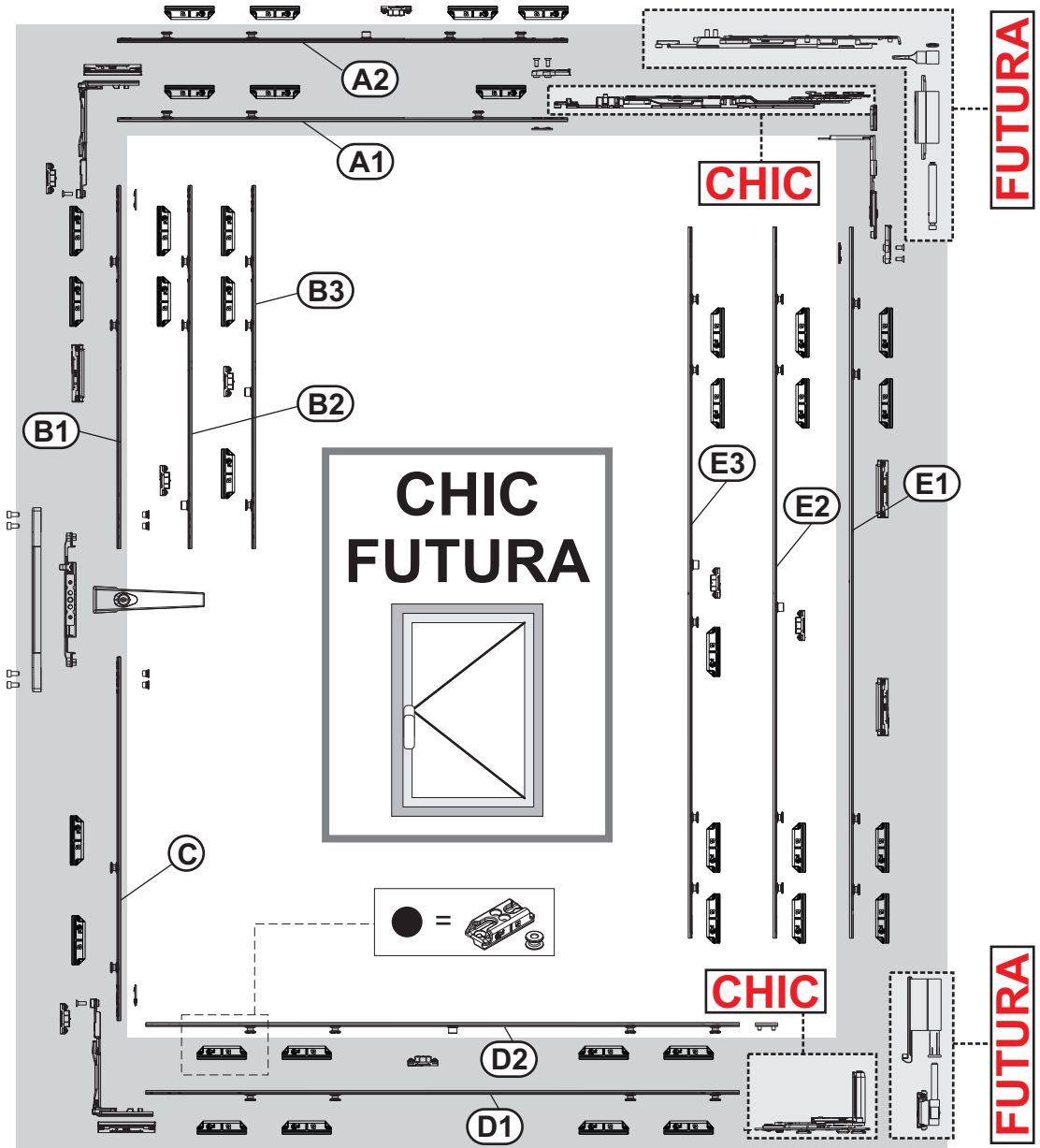
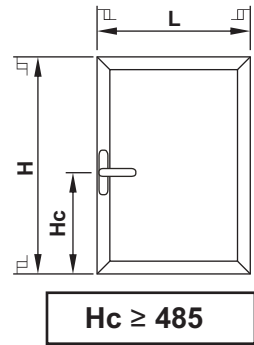
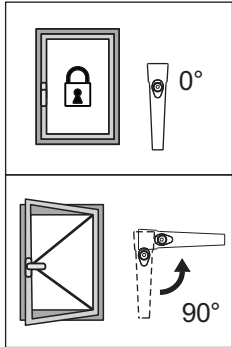


CHIC
FUTURA

pag. 2

pag. 19

CALCOLO RELATIVO AL TAGLIO ASTE - CÁLCULO RELATIVO AL CORTE DE LAS VARILLAS
 ΥΠΟΛΟΓΙΣΜΟΣ ΚΟΠΗΣ ΛΑΜΑΚΙΩΝ - ROD CUTTING CALCULATIONS - BERECHNUNG DER STANGENLÄNGEN
 CALCUL RELATIF À LA COUPE DES TRINGLES - РАСЧЕТ ДЛЯ РЕЗКИ ШТАНГ

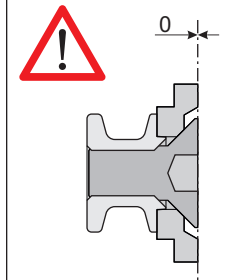
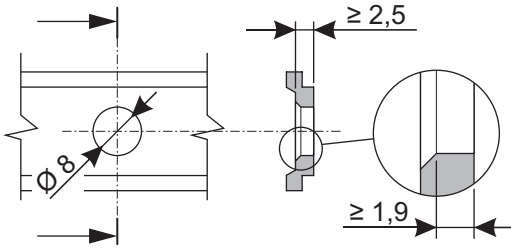
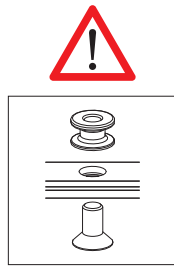
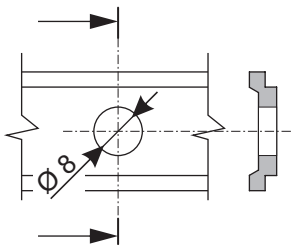


CHIC

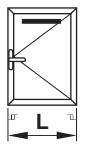
| | | | | | |
|------|------|---|---|---|---|
| 2800 | | A1=L-415 B3=H-Hc-207 C=Hc-207 D1=L-212 E3=H-295 | | A2=L-415 B3=H-Hc-207 C=Hc-207 D2=L-212 E3=H-295 | |
| | 1500 | | A1=L-415 B1/B2=H-Hc-207 C=Hc-207 D1=L-212 E1/E2=H-295 | | A2=L-415 B1/B2=H-Hc-207 C=Hc-207 D2=L-212 E1/E2=H-295 |
| 890 | 770 | T1 | 1000 | T1 | 1600 |

FUTURA

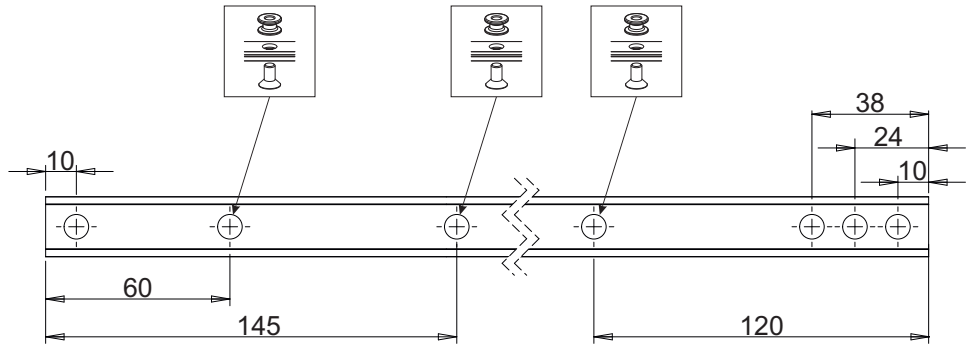
| | | | | | |
|------|------|---|---|---|---|
| 2800 | | A1=L-355 B3=H-Hc-207 C=Hc-207 D1=L-212 E3=H-295 | | A2=L-355 B3=H-Hc-207 C=Hc-207 D2=L-212 E3=H-295 | |
| | 1500 | | A1=L-355 B1/B2=H-Hc-207 C=Hc-207 D1=L-212 E1/E2=H-295 | | A2=L-355 B1/B2=H-Hc-207 C=Hc-207 D2=L-212 E1/E2=H-295 |
| 890 | 720 | T1 | 1000 | T1 | 1600 |



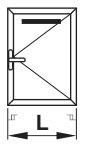
A1



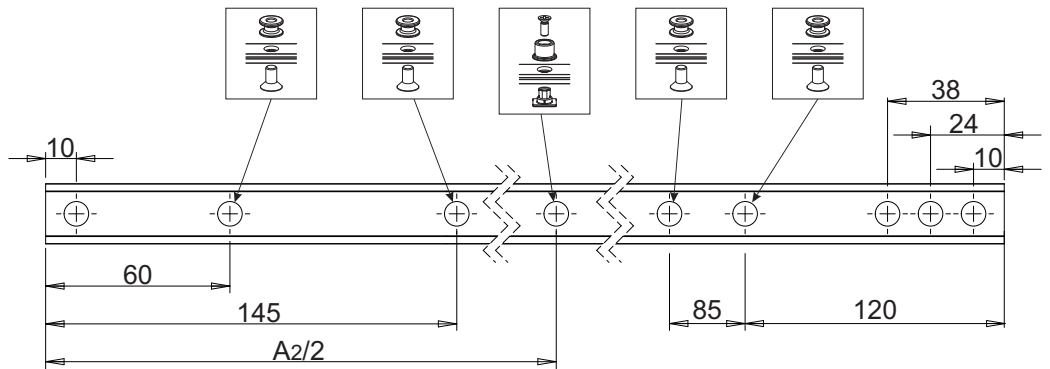
$L \leq 1000$



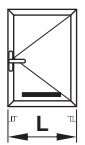
A2



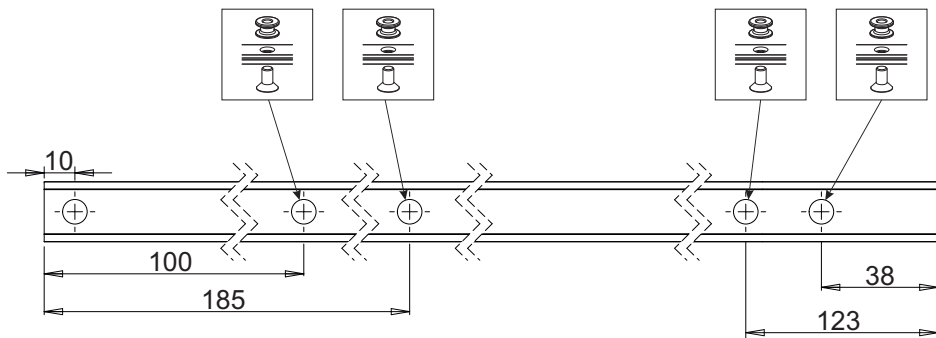
$L > 1000$



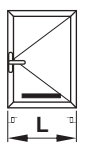
D1



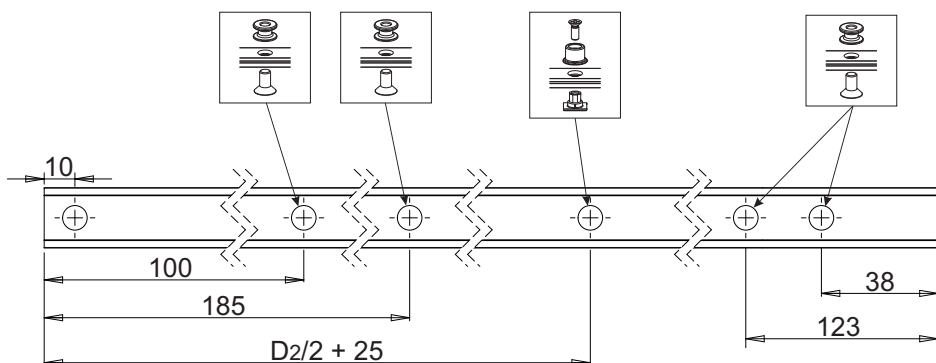
$L \leq 1000$



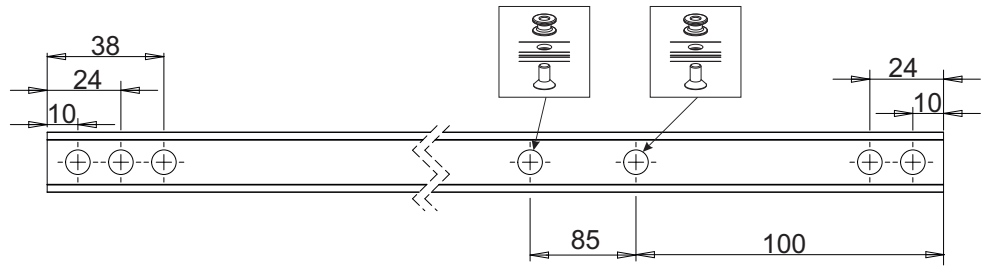
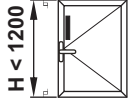
D2



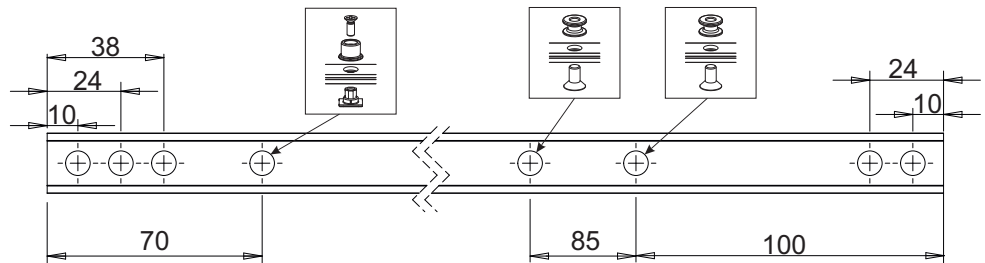
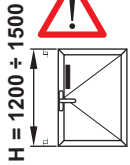
$L > 1000$



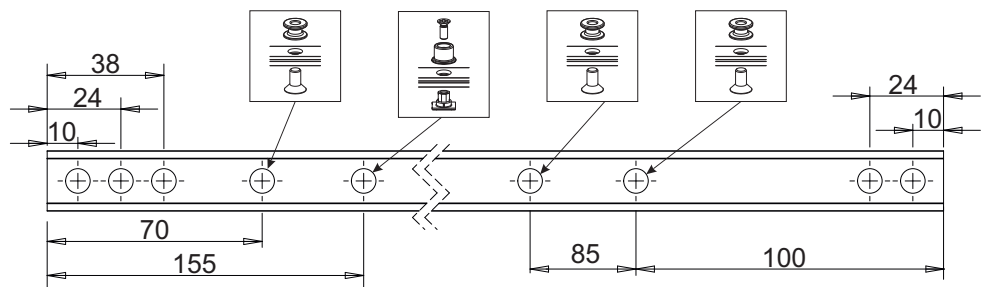
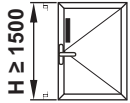
B1



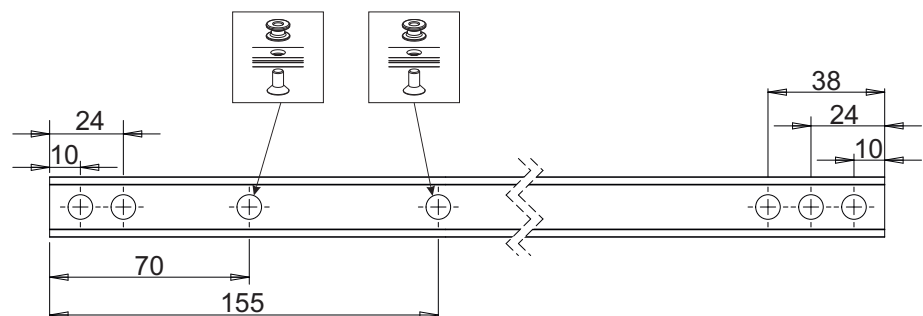
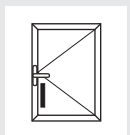
B2



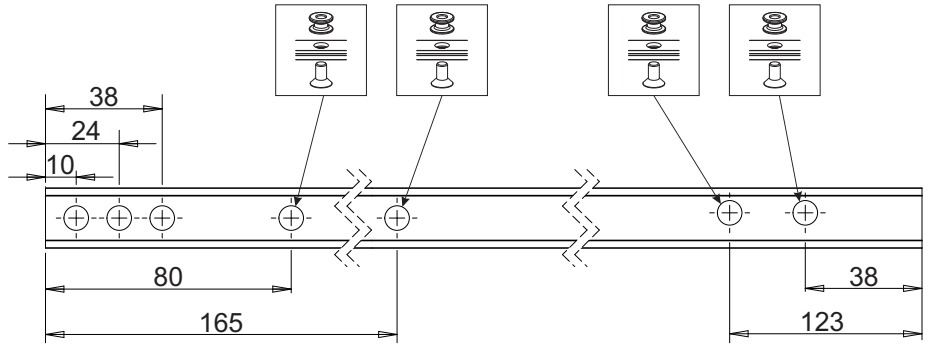
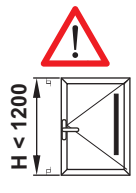
B3



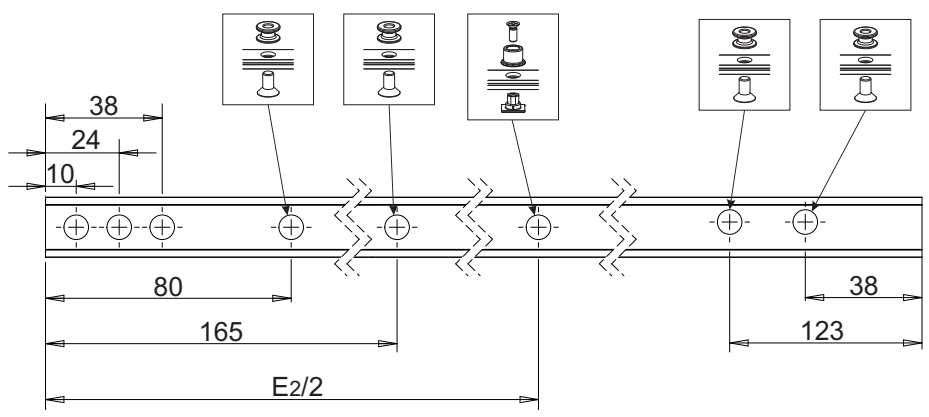
C



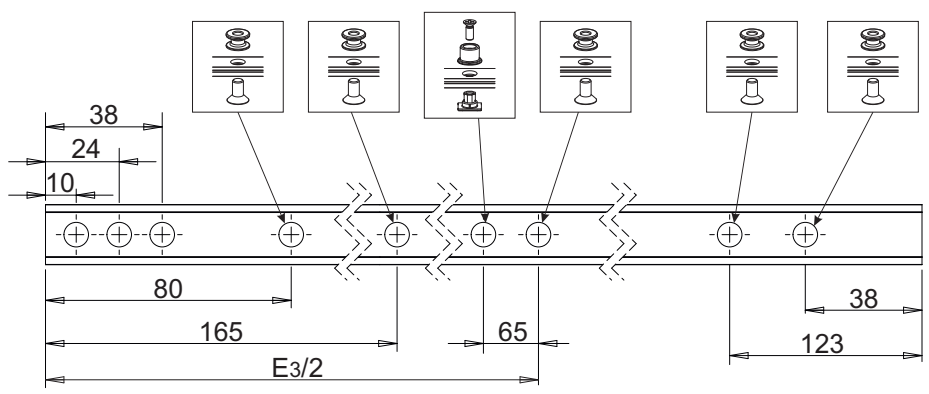
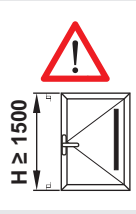
E1

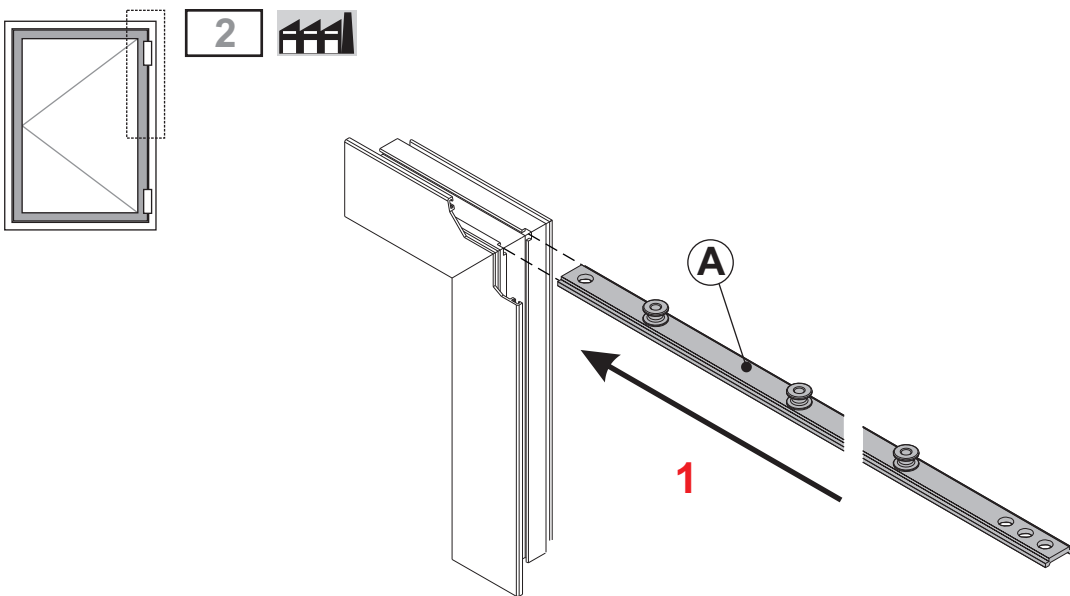
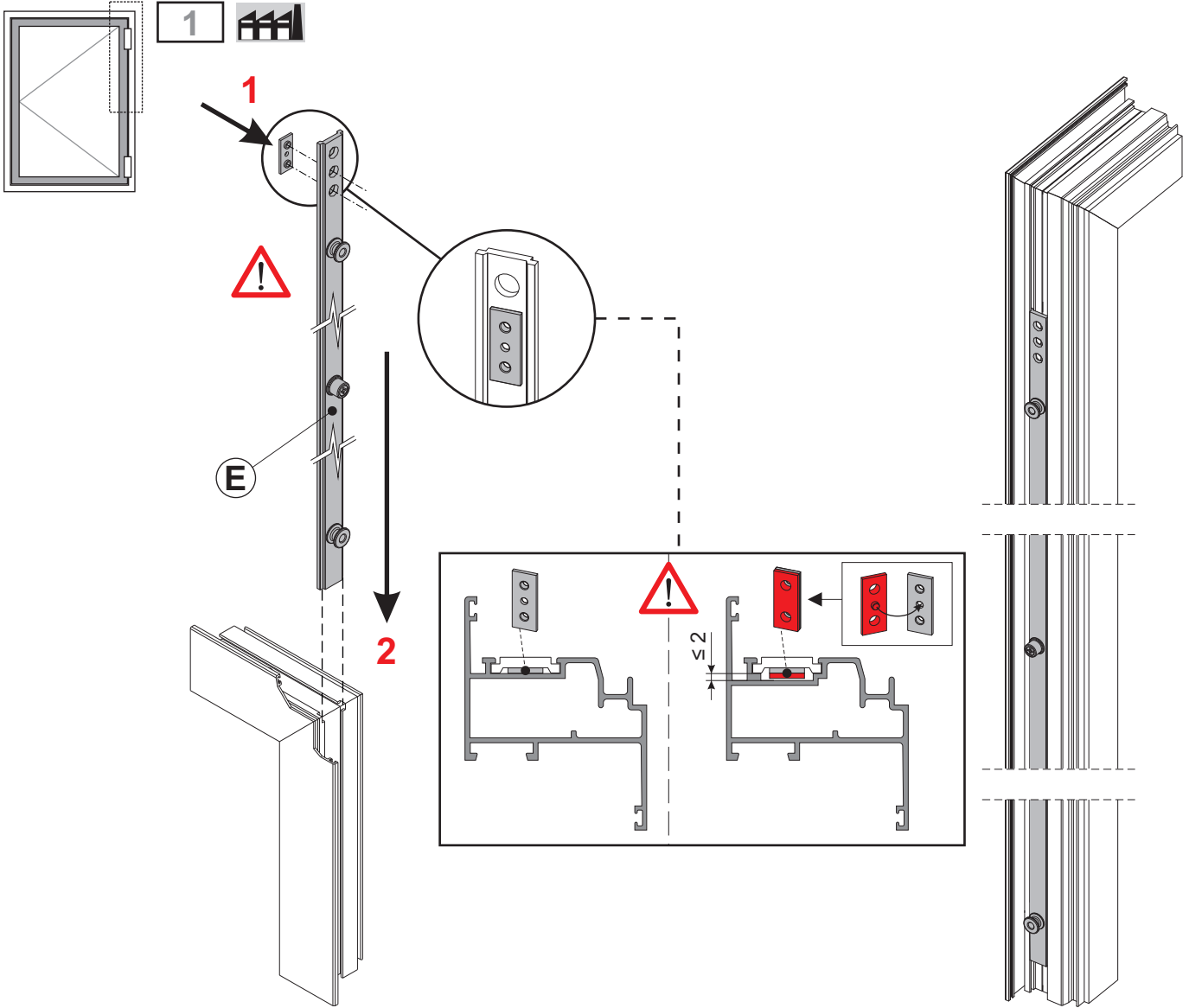


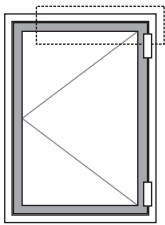
E2



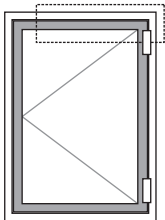
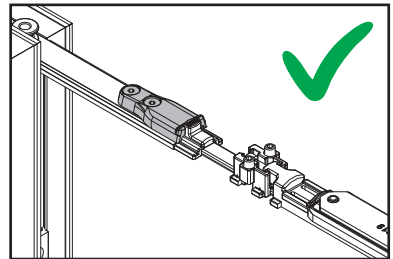
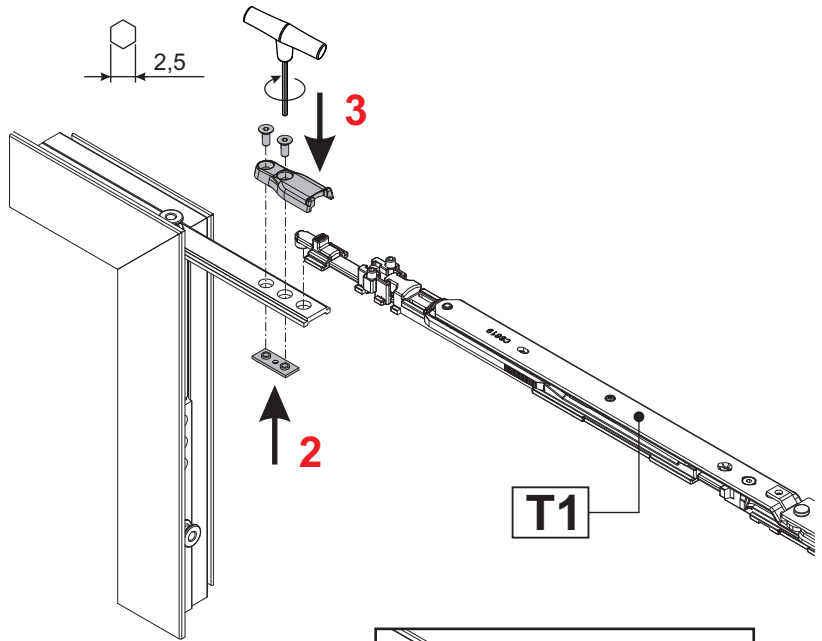
E3



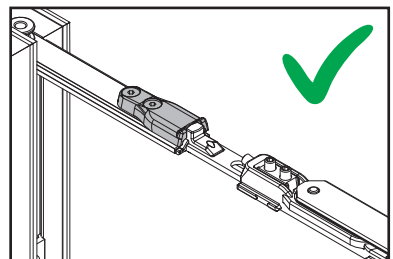
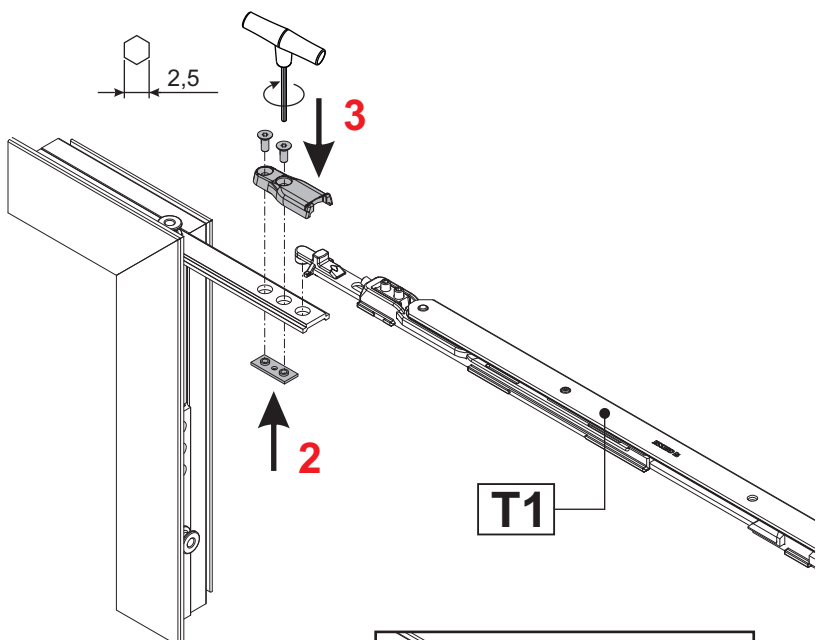


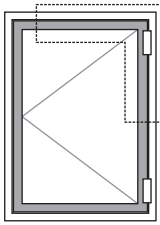


3 
CHIC

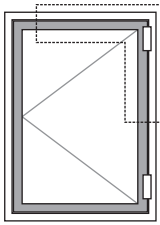
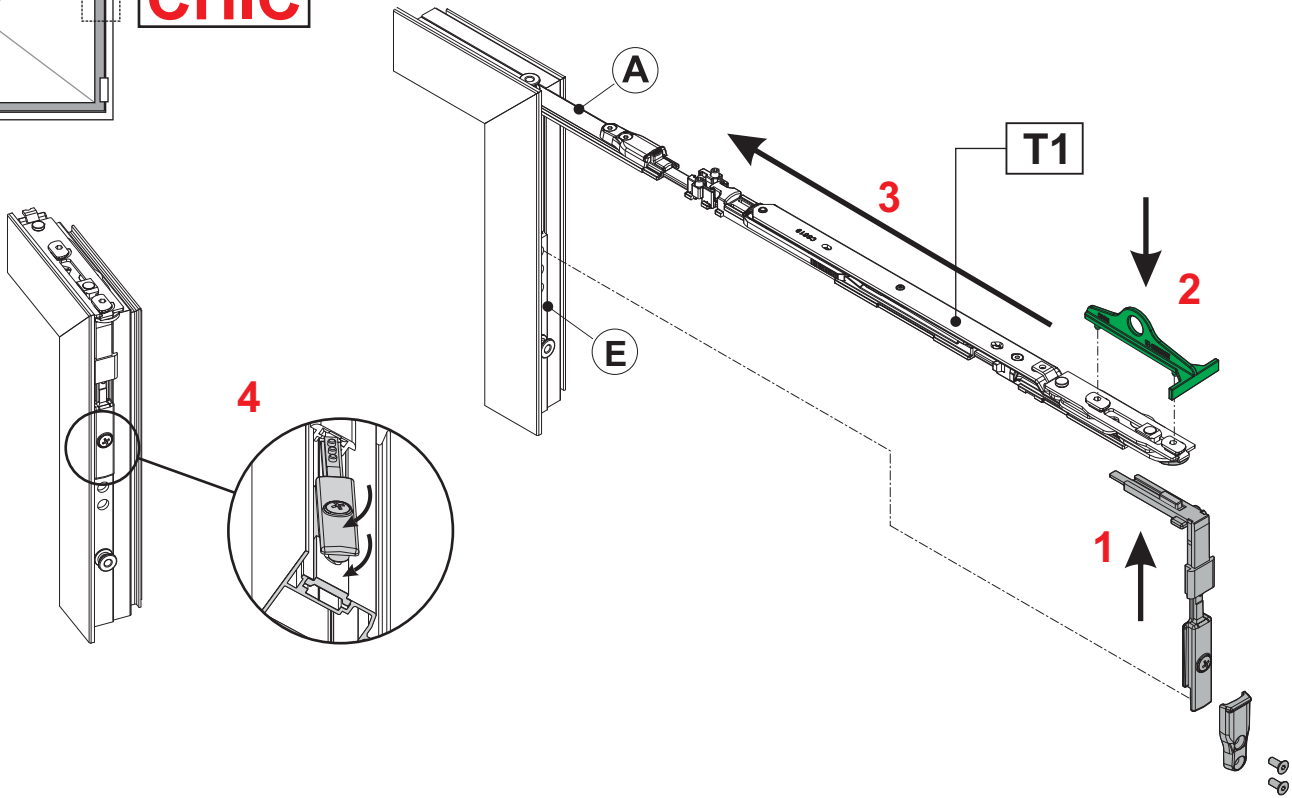


3 
FUTURA

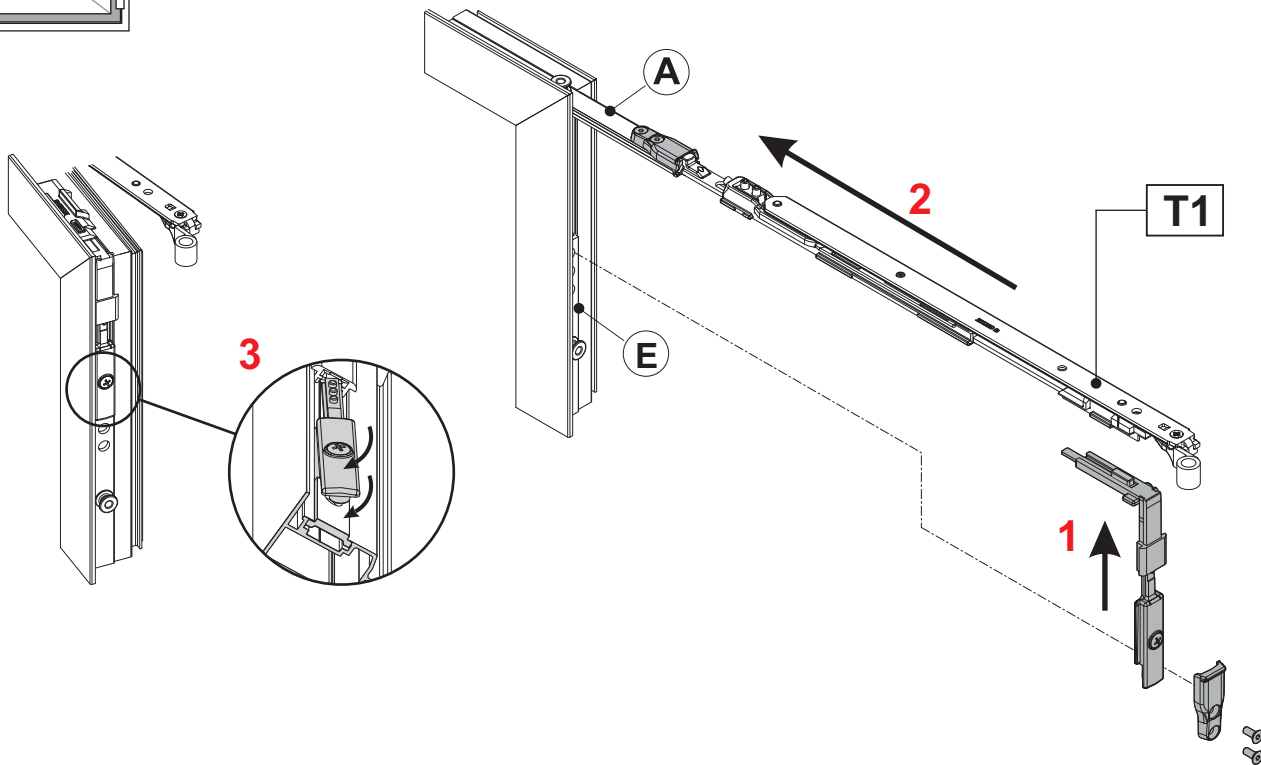


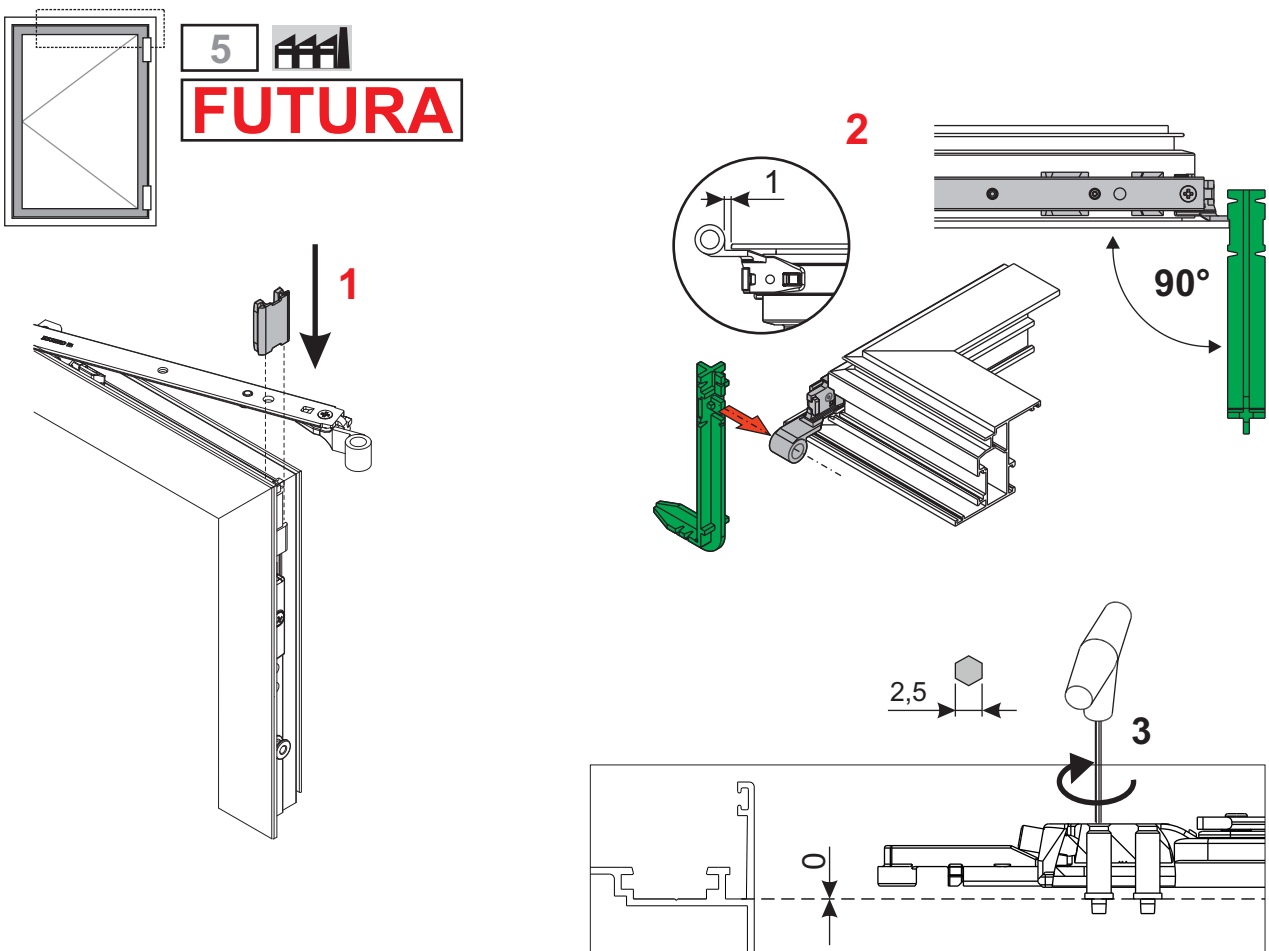
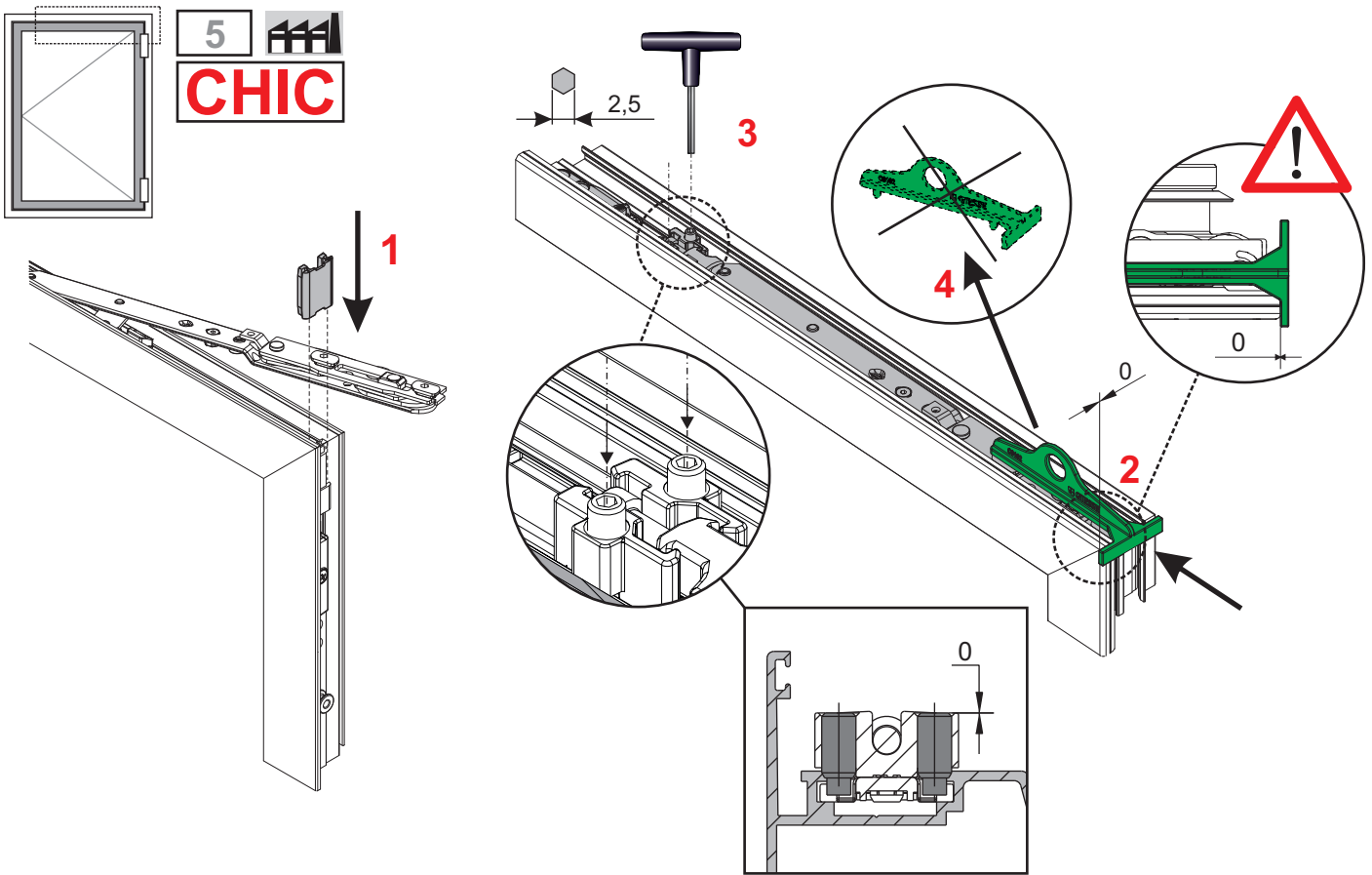


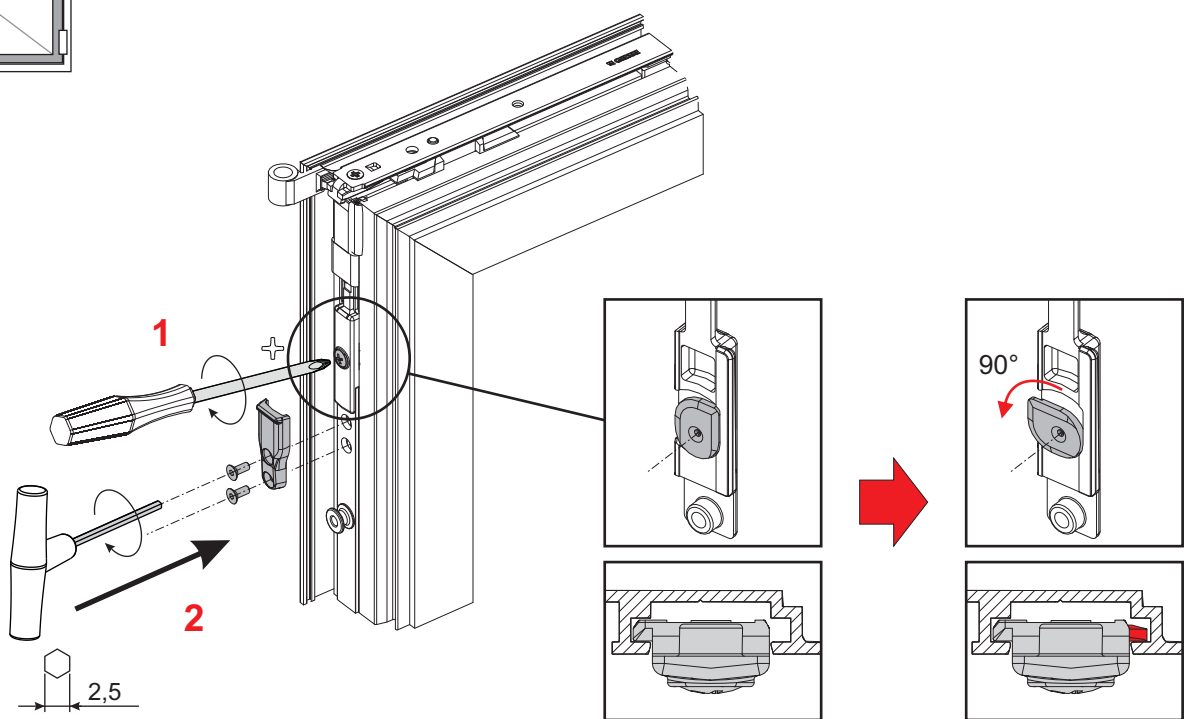
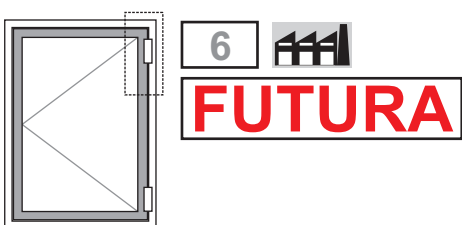
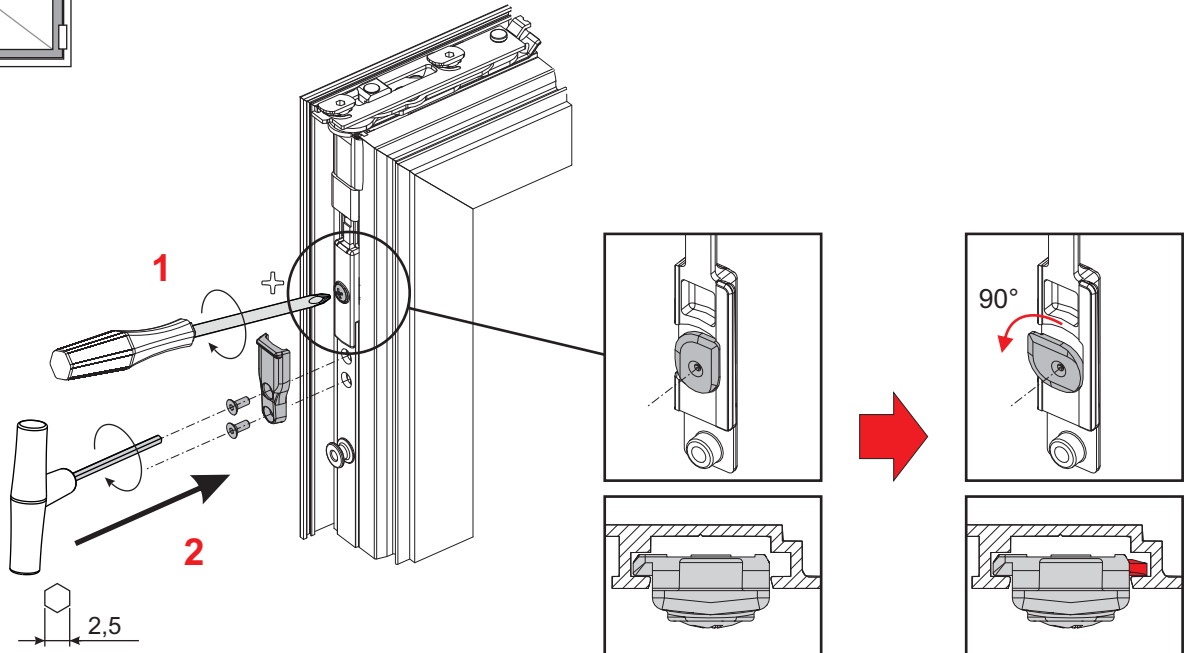
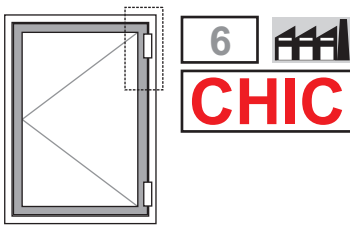
4 **CHIC**

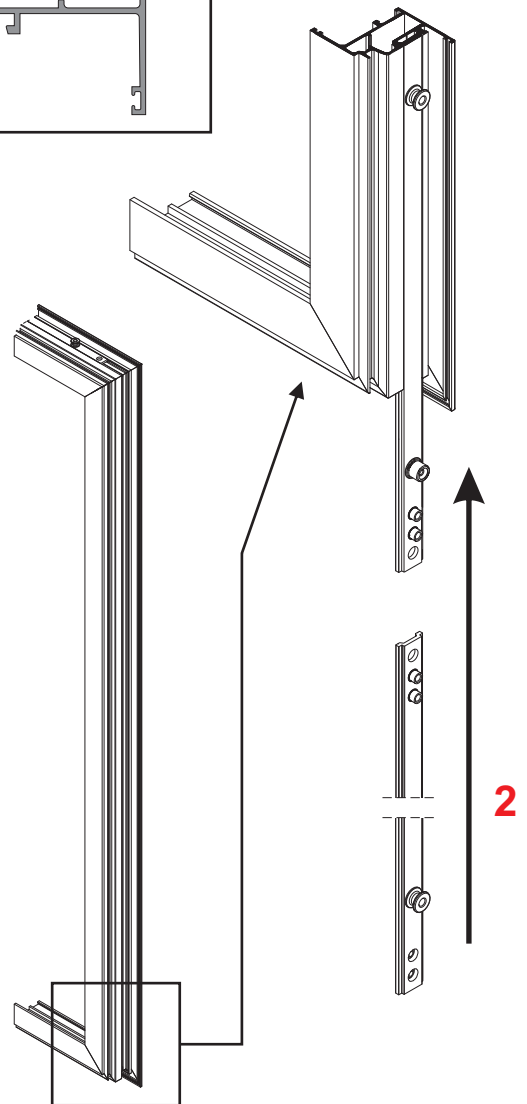
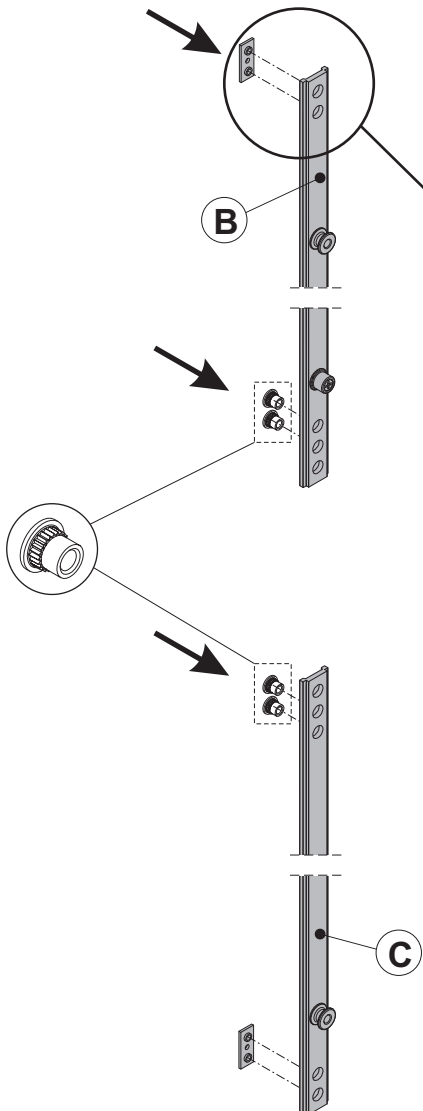
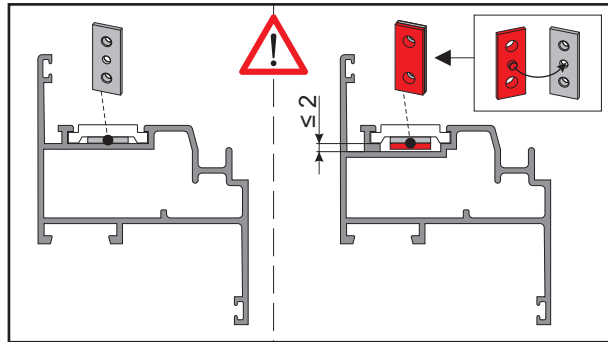
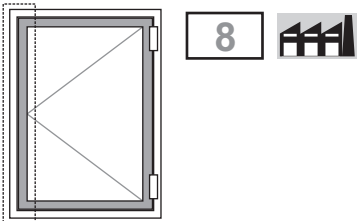
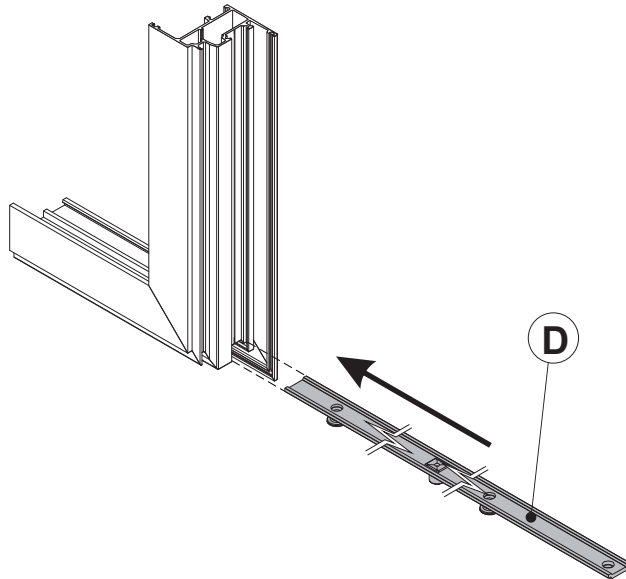
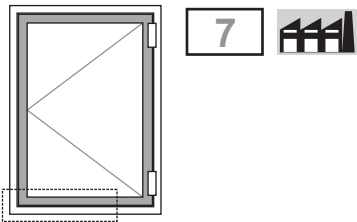


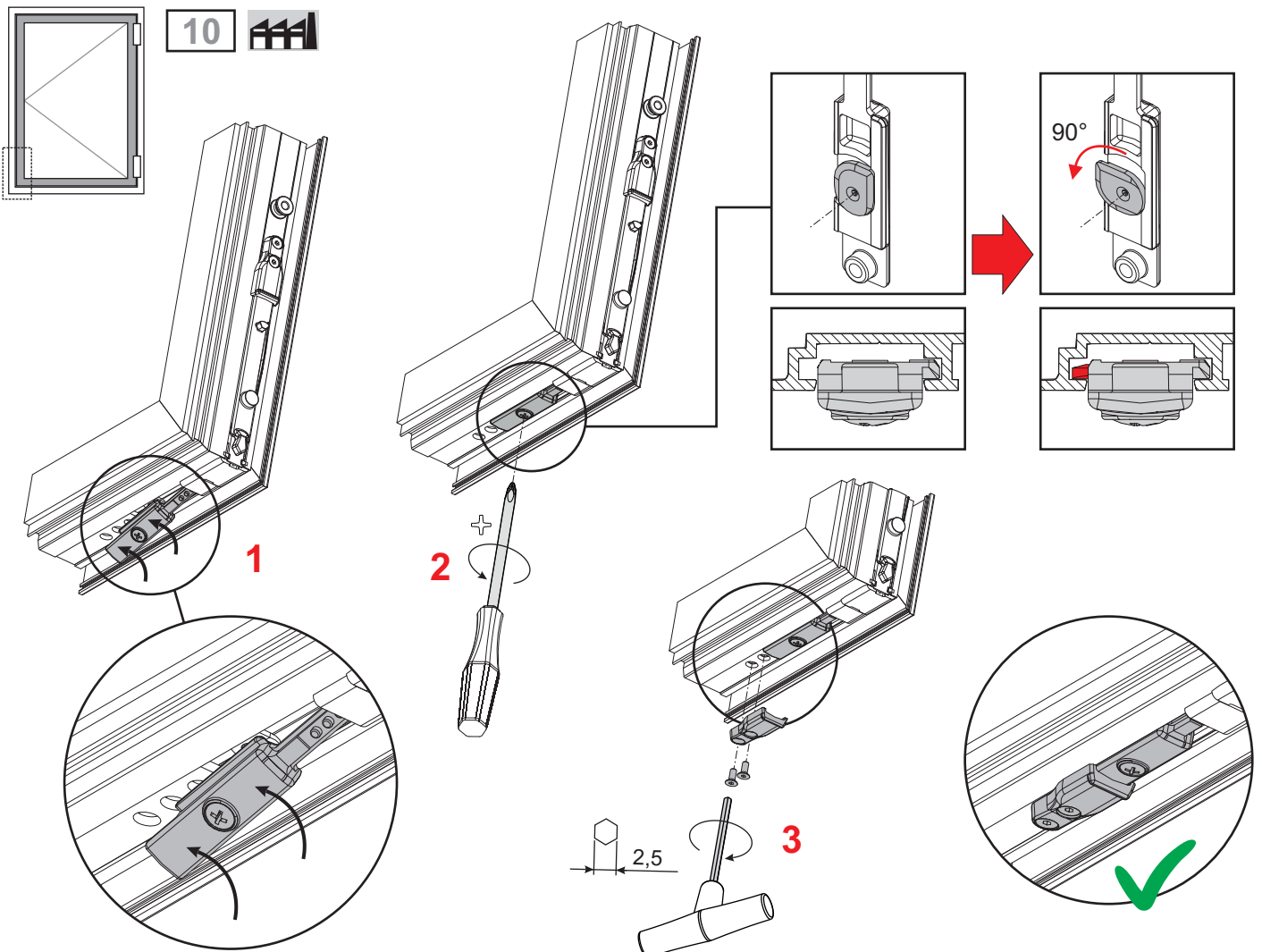
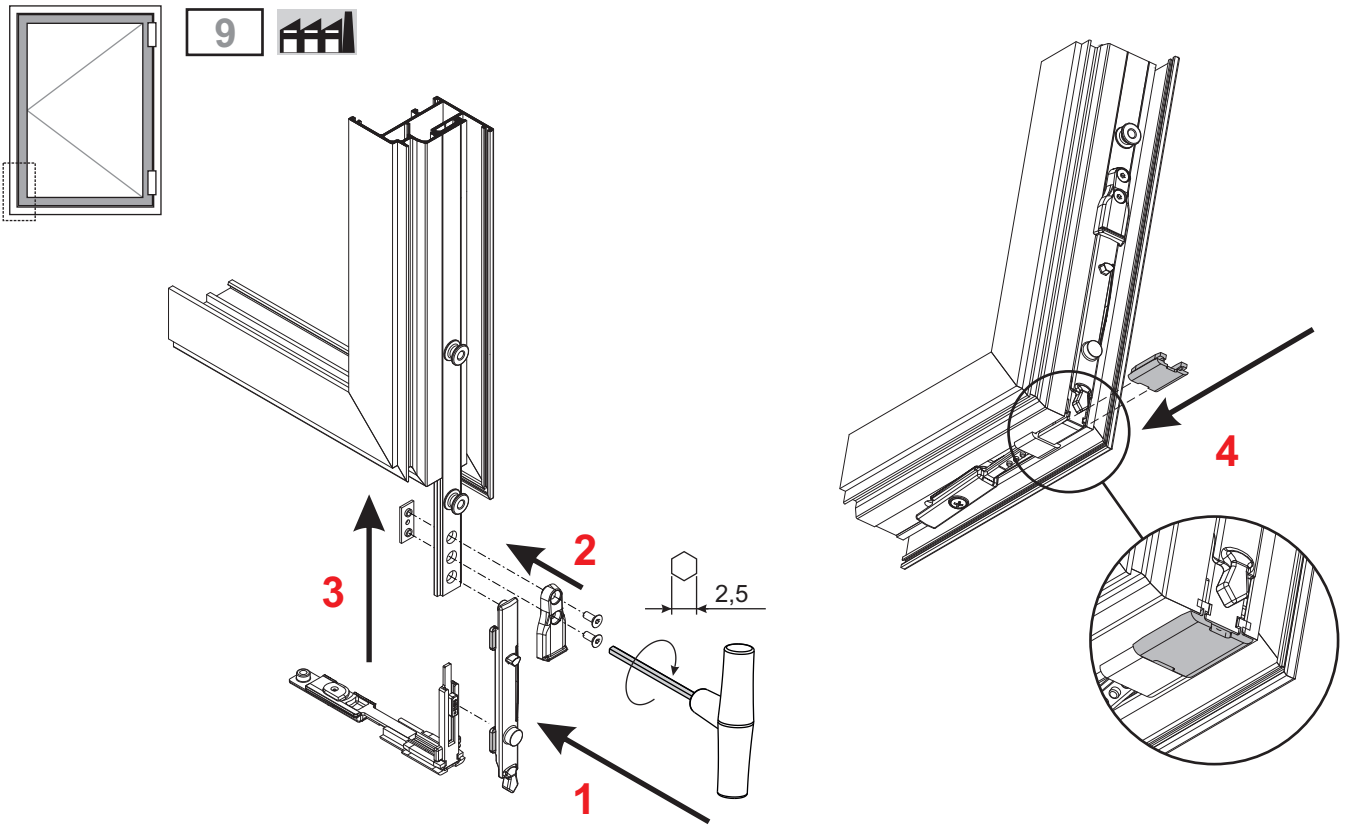
4 **FUTURA**

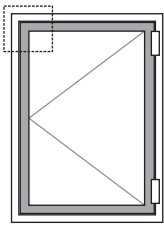




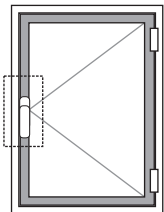
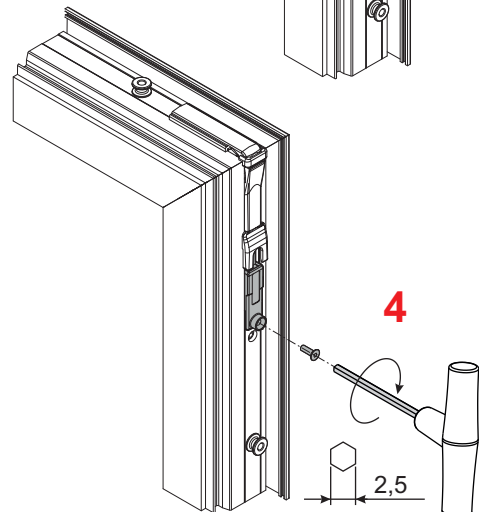
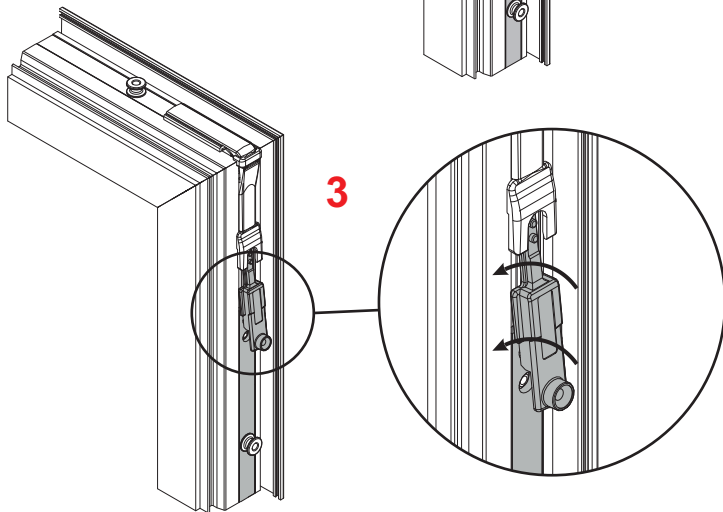
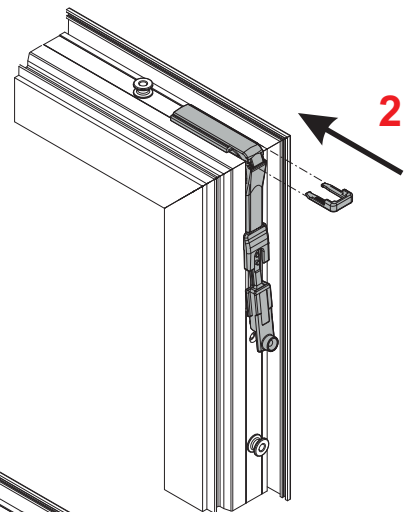
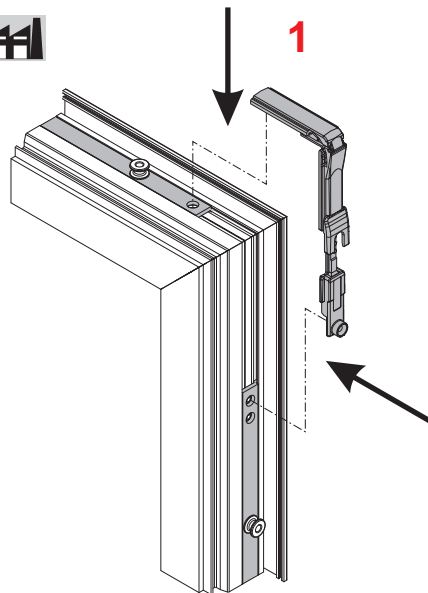




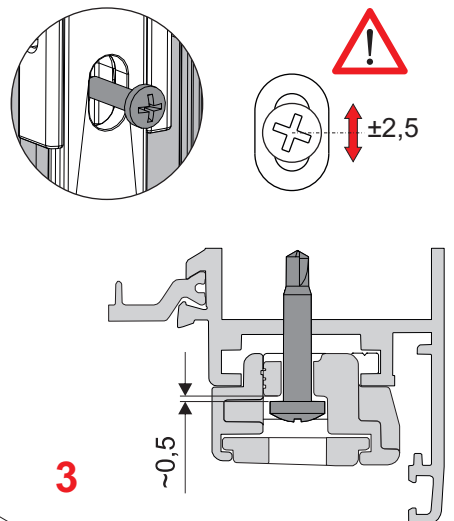
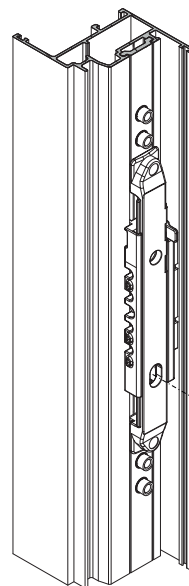
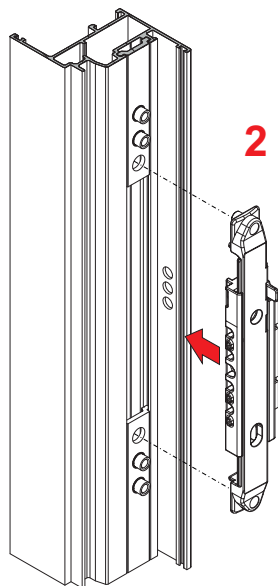
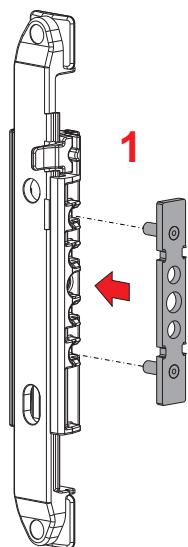


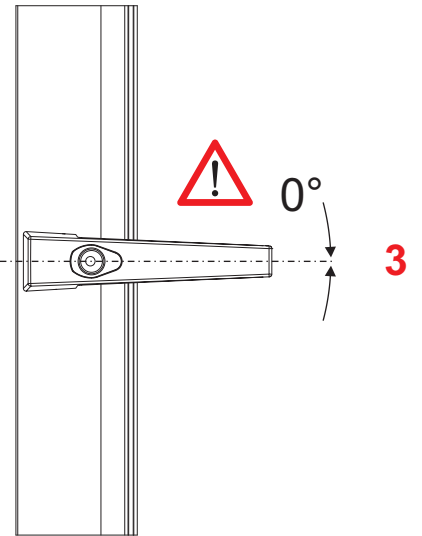
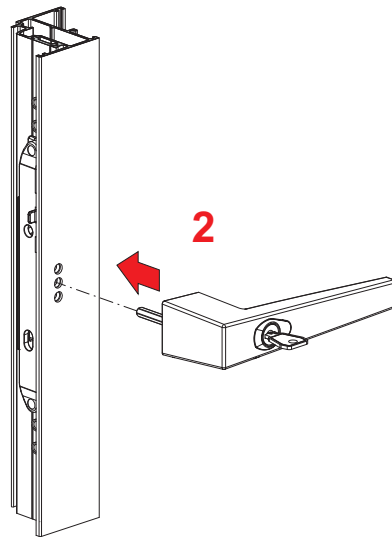
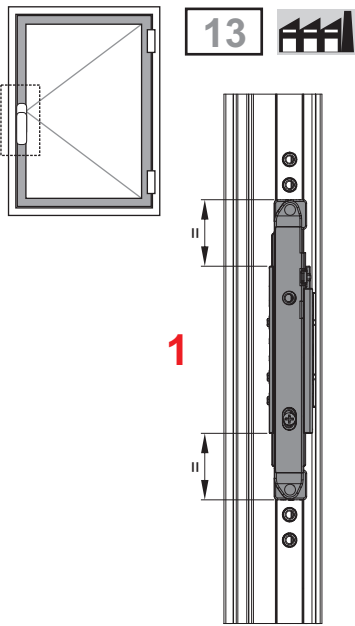


11

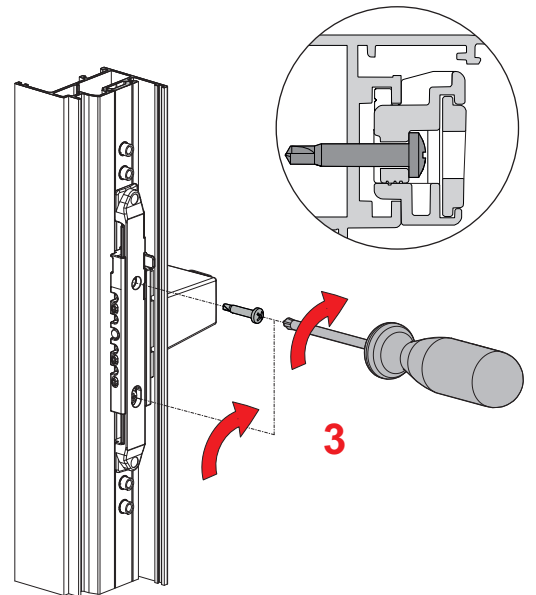
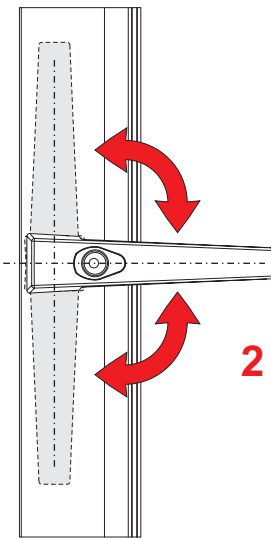
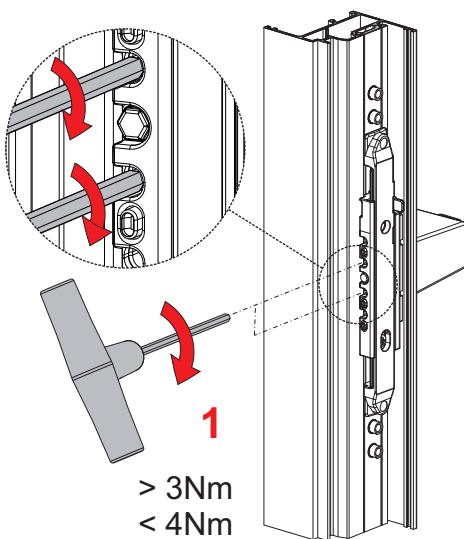


12

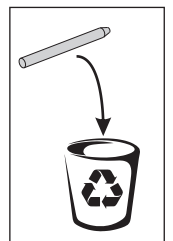
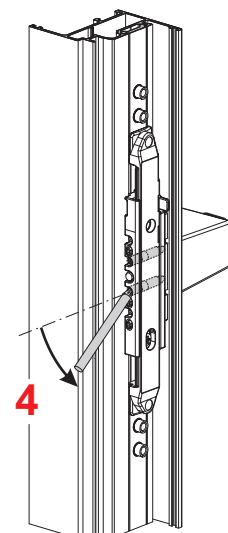
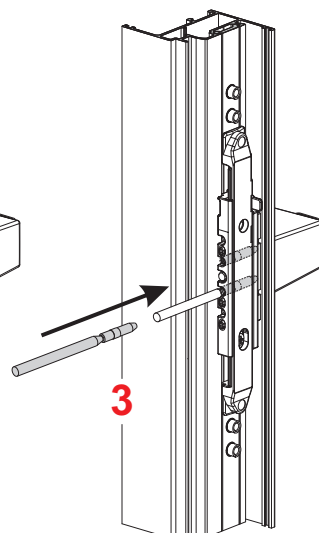
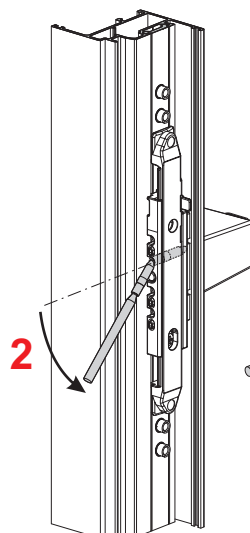
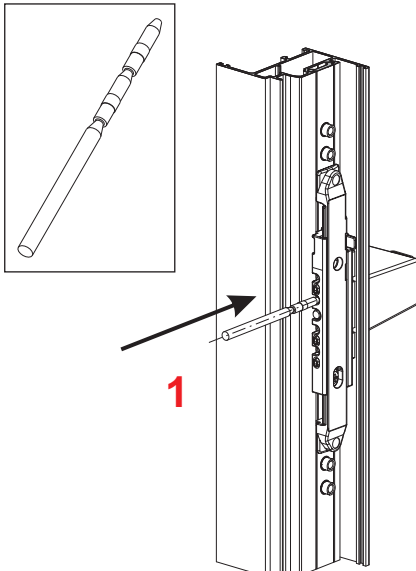


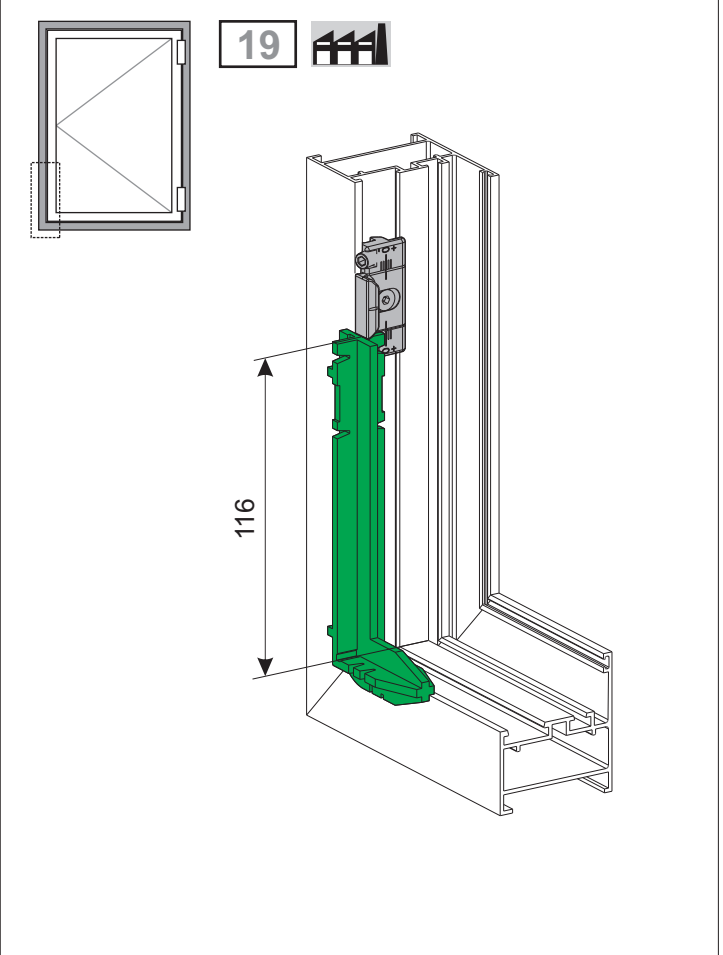
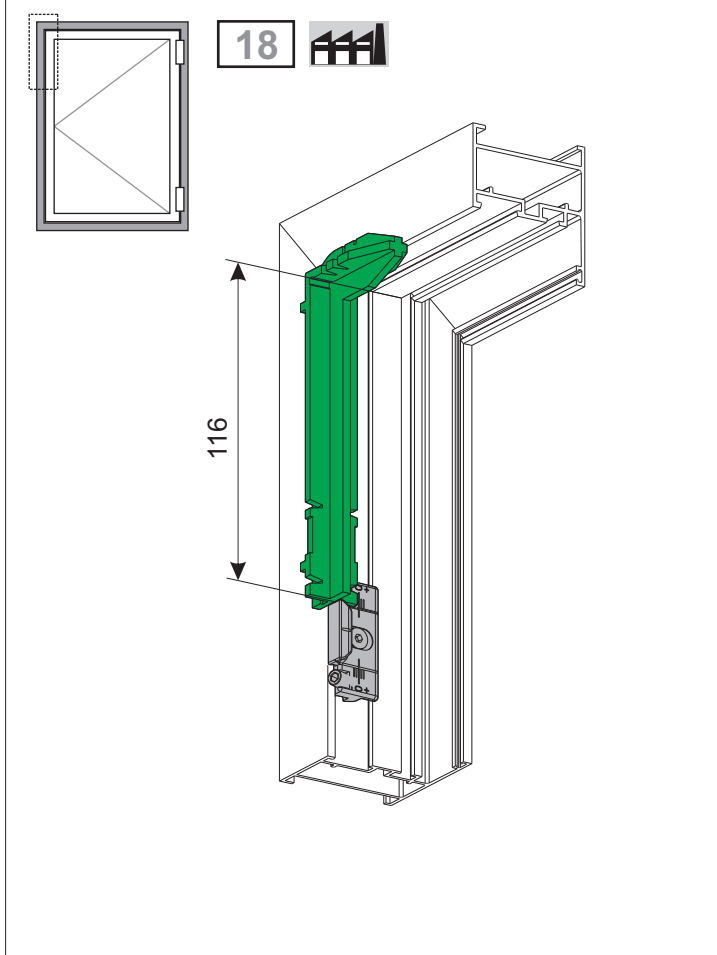
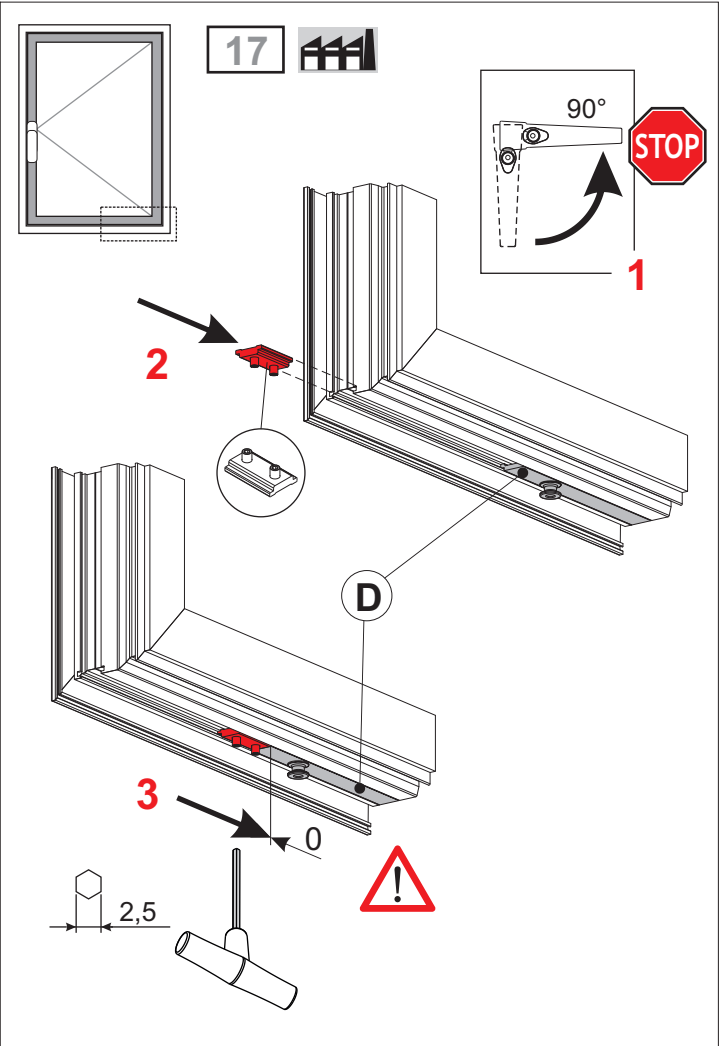
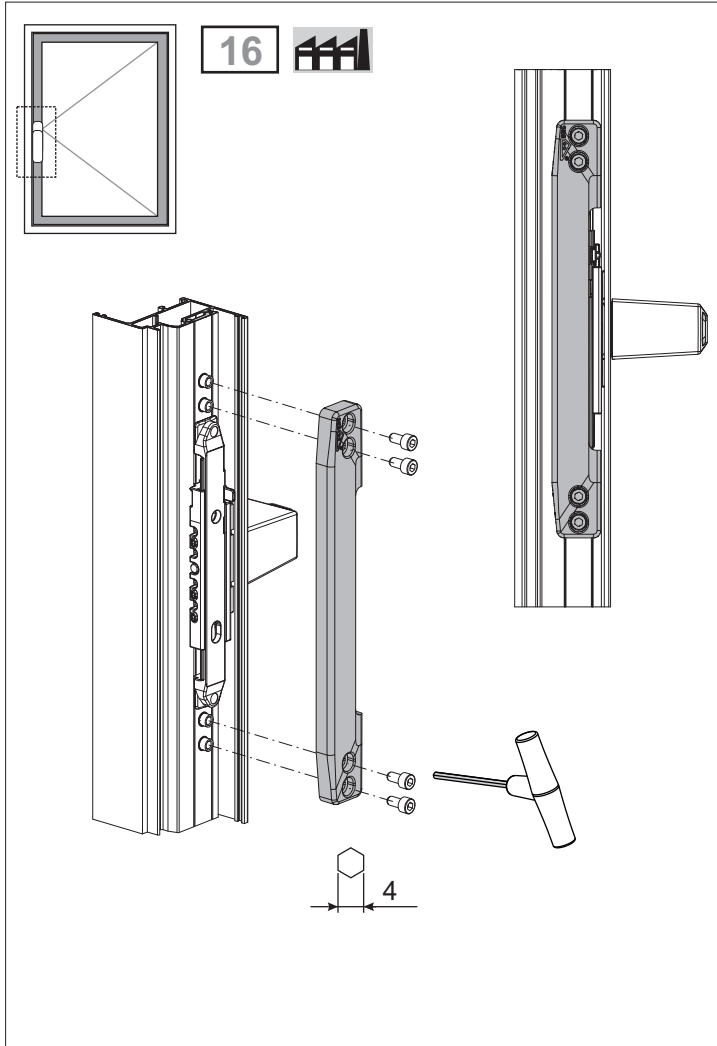


14

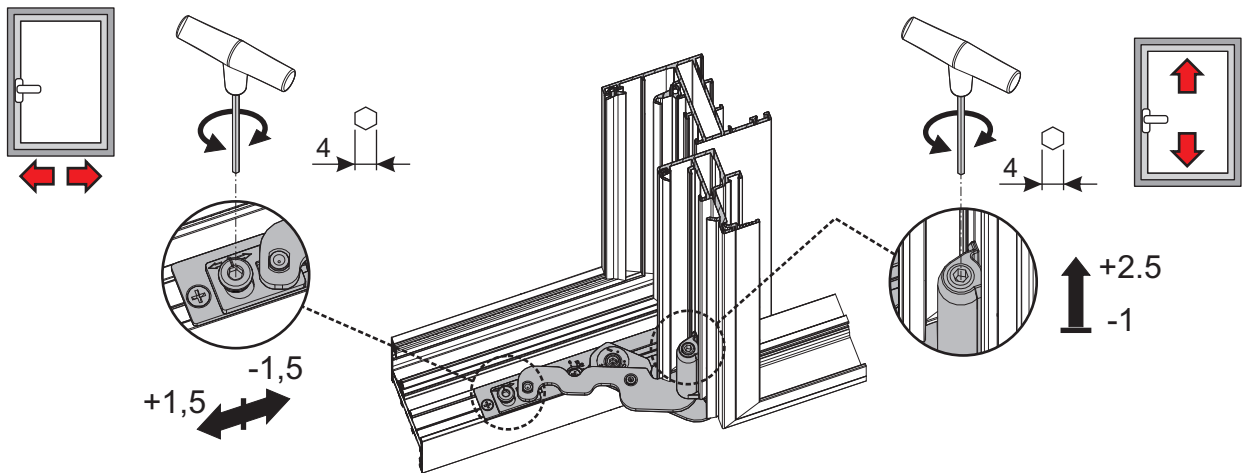
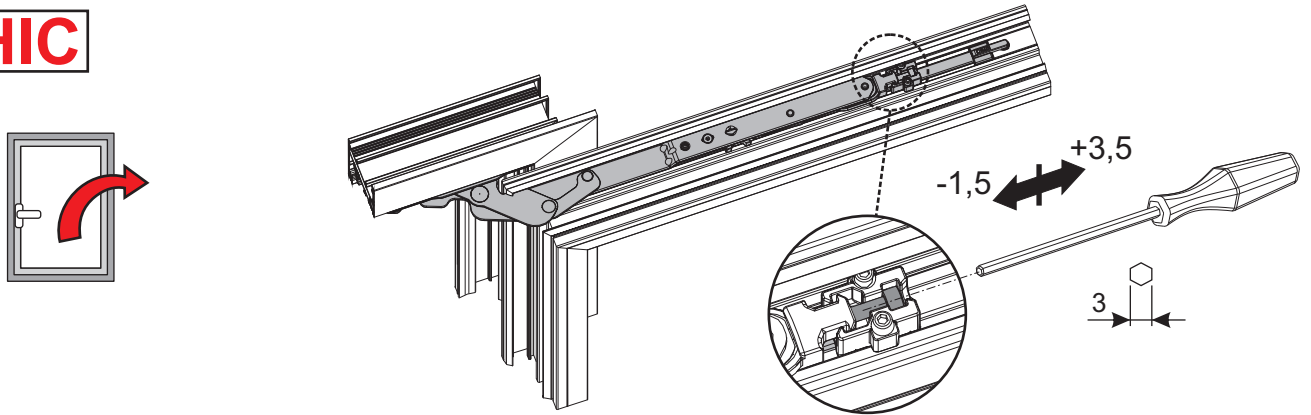


15

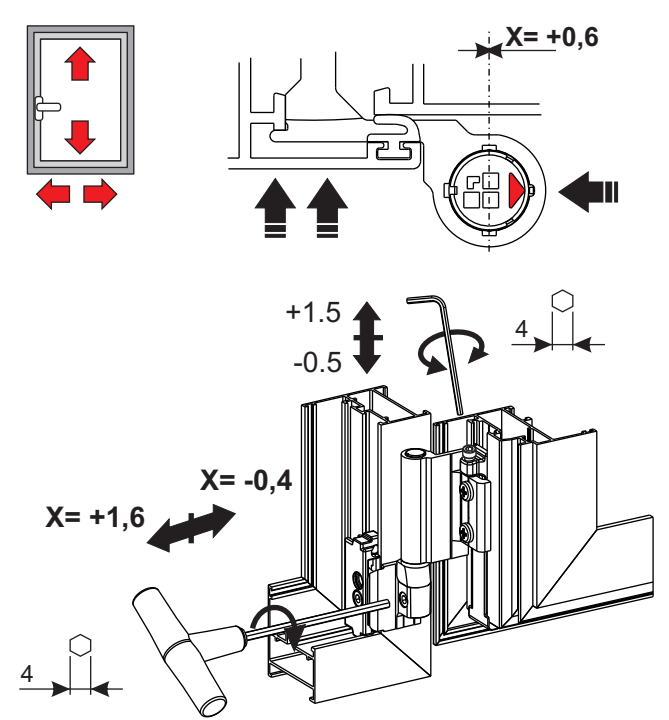
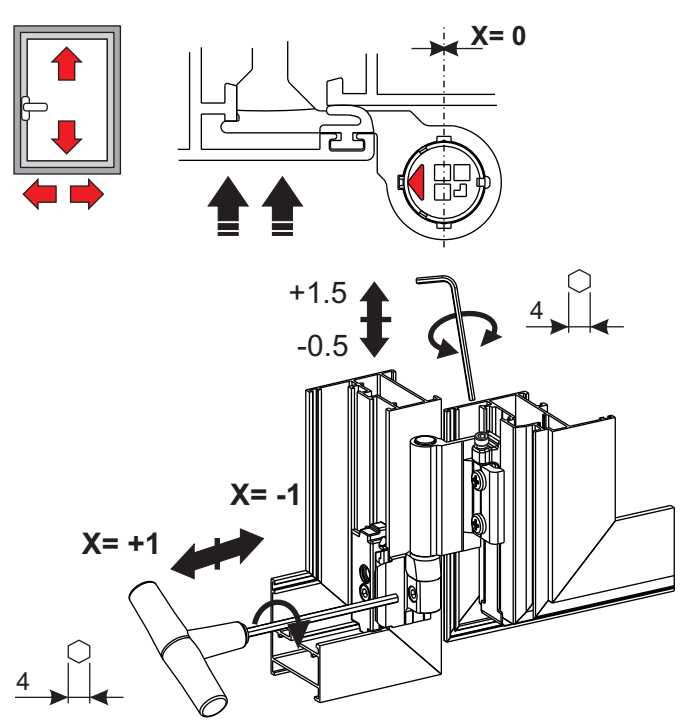
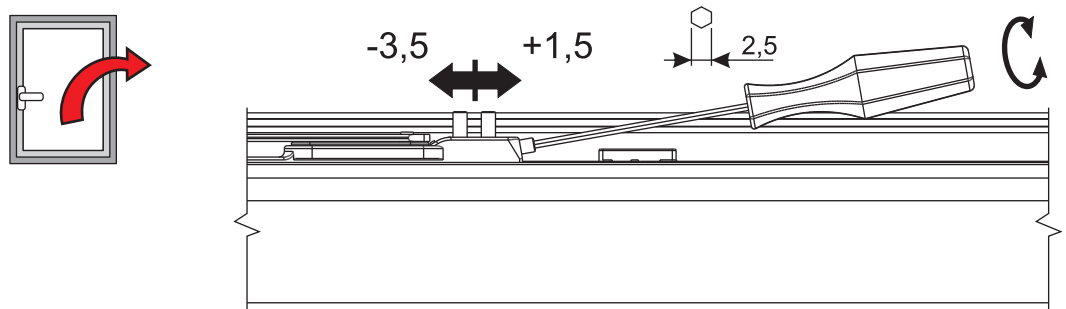


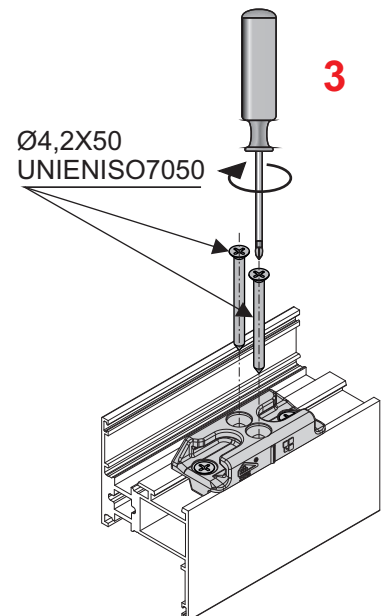
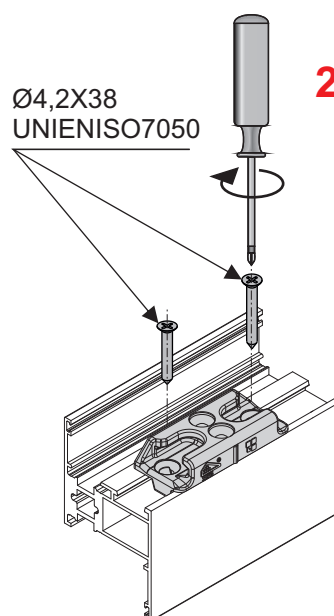
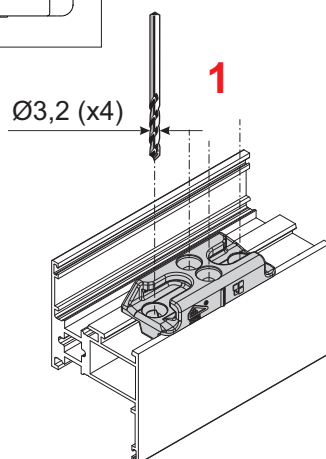
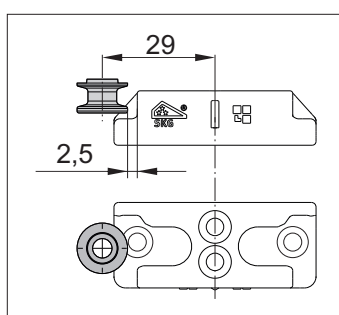
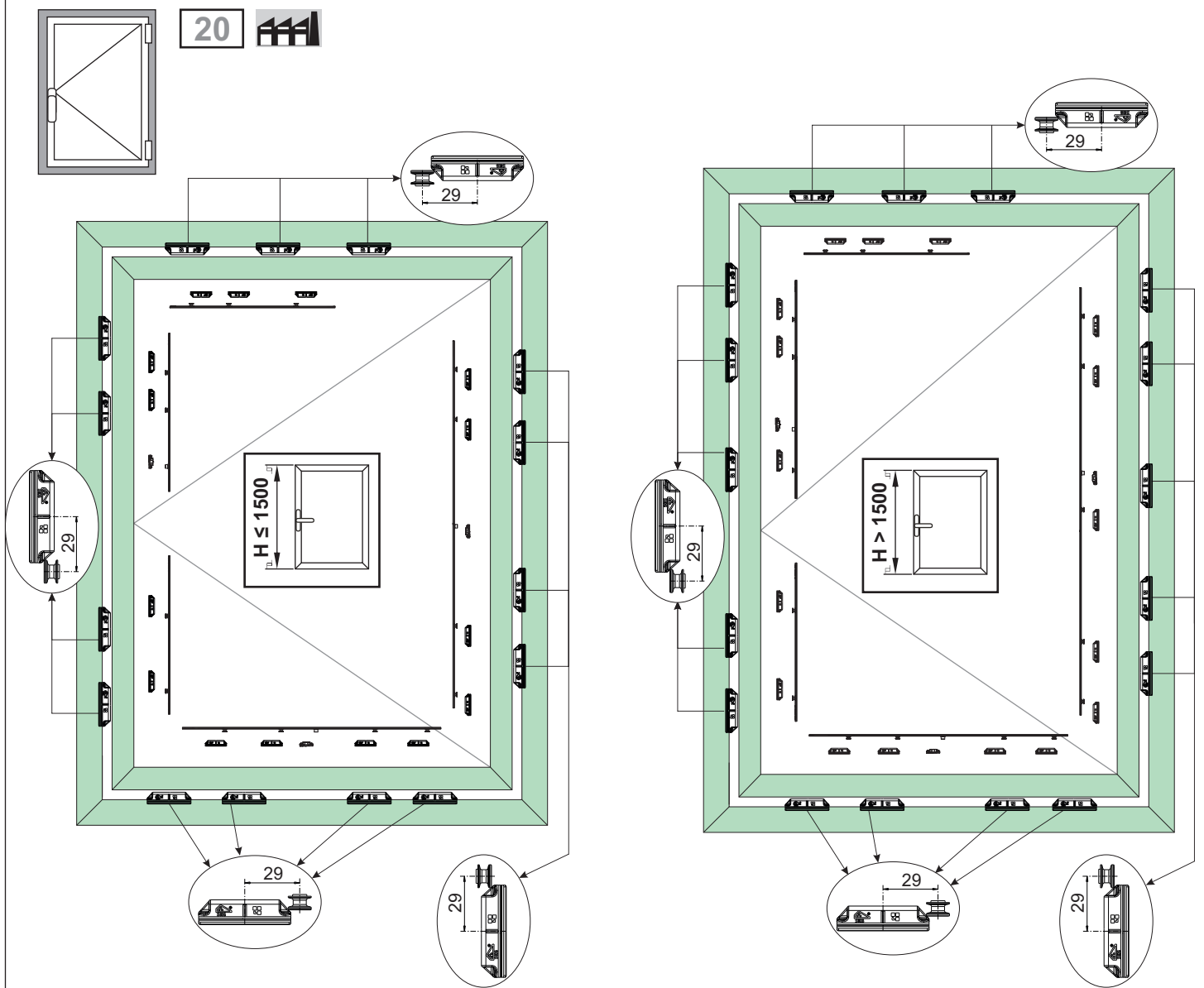


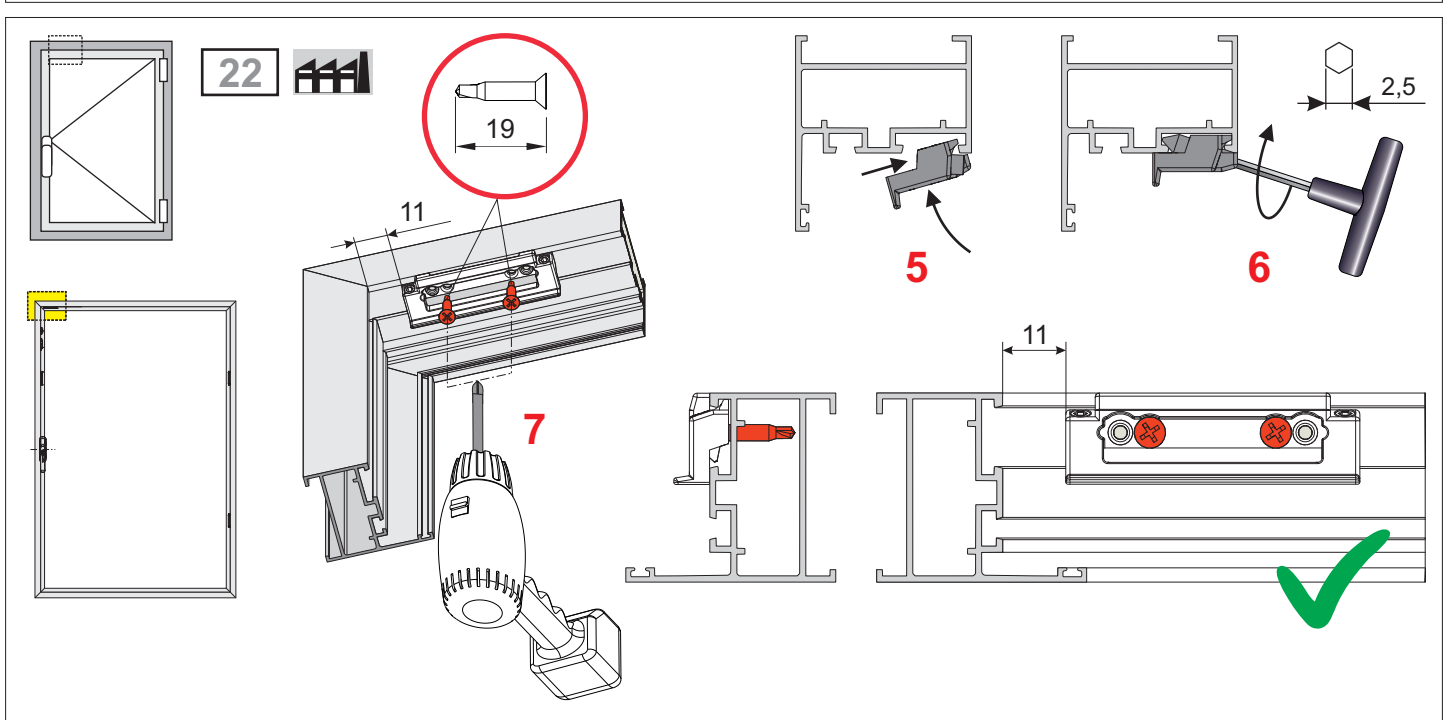
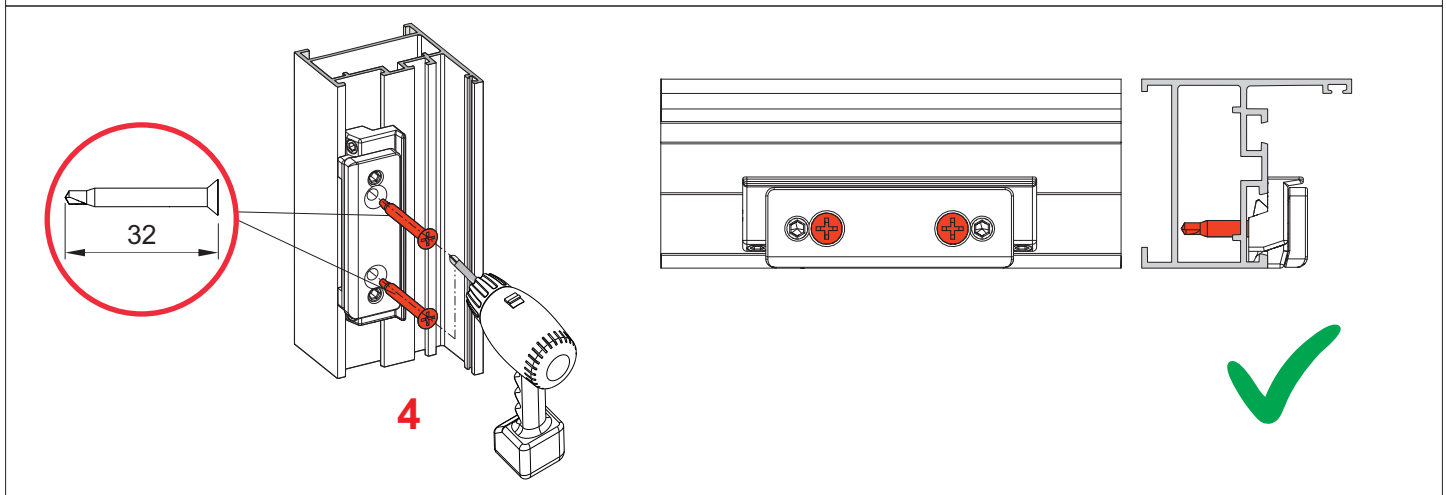
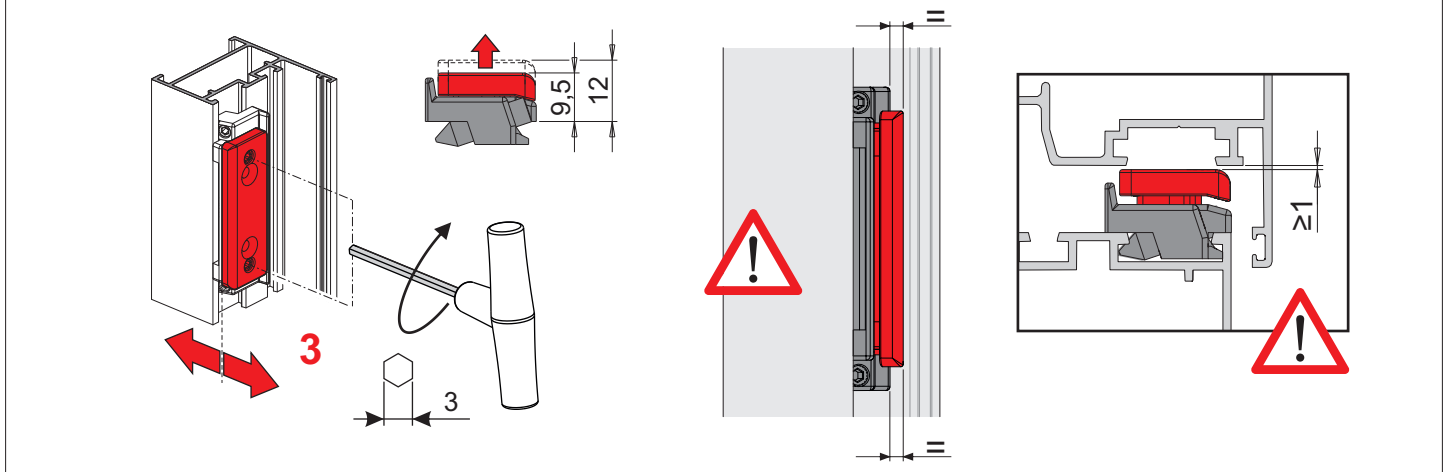
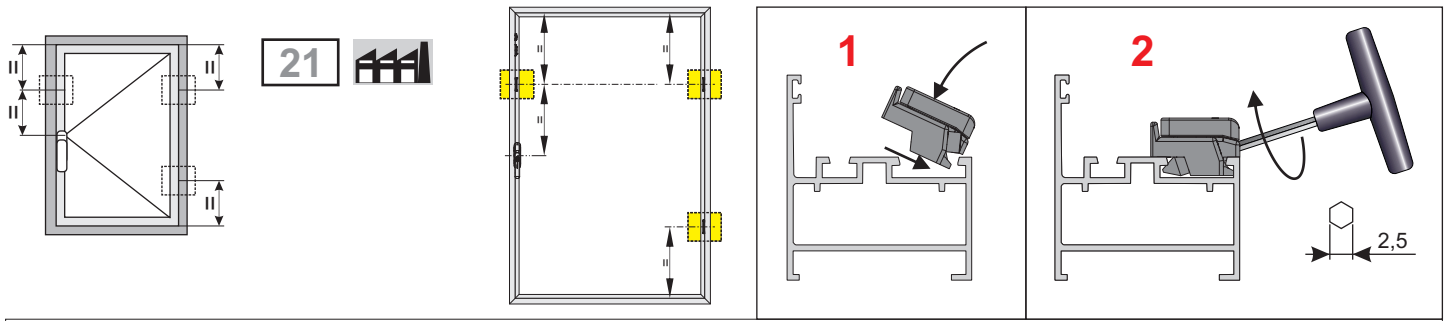
CHIC



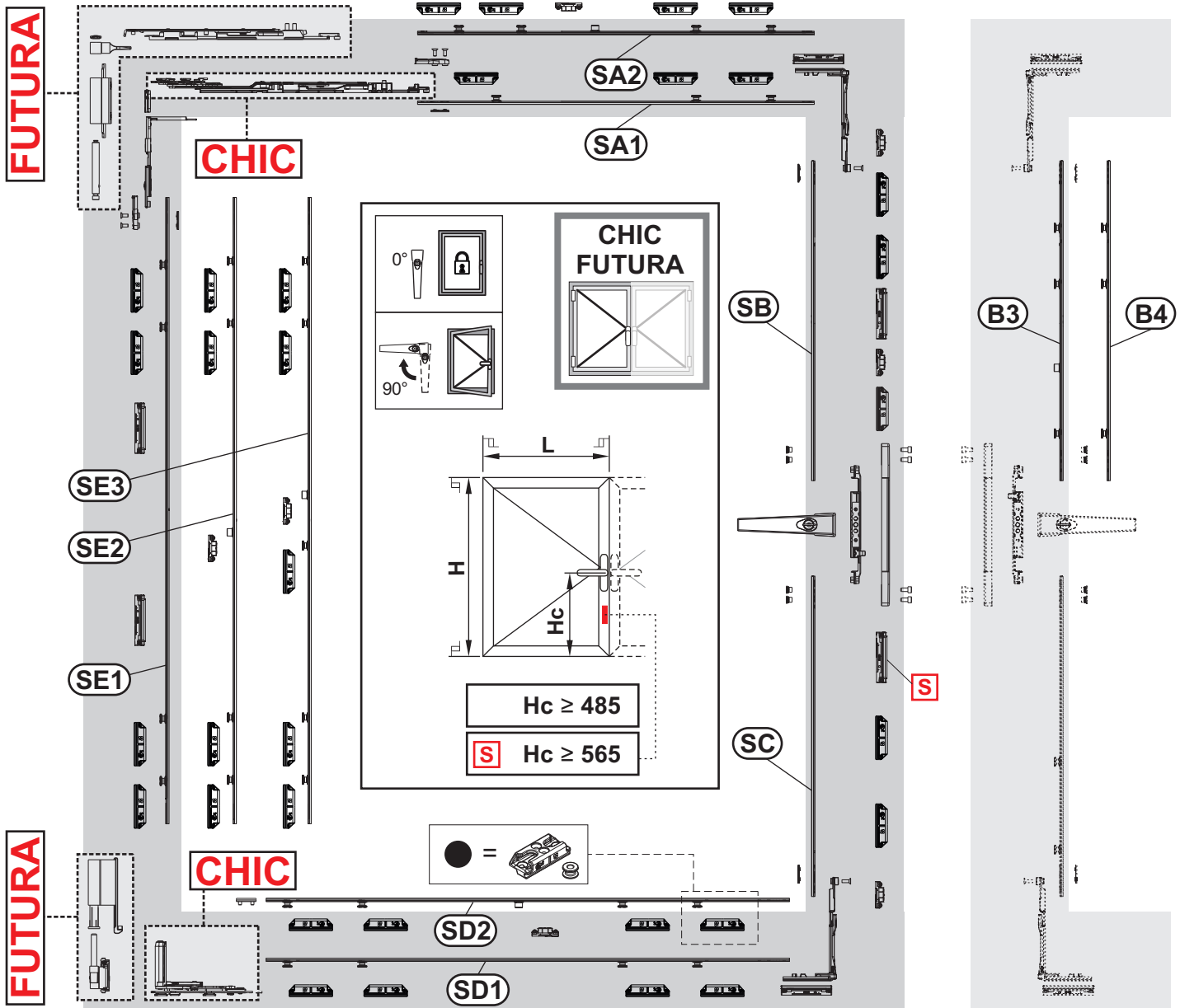
FUTURA







CALCOLO RELATIVO AL TAGLIO ASTE - CÁLCULO RELATIVO AL CORTE DE LAS VARILLAS
 ΥΠΟΛΟΓΙΣΜΟΣ ΚΟΠΗΣ ΛΑΜΑΚΙΩΝ - ROD CUTTING CALCULATIONS - BERECHNUNG DER STANGENLÄNGEN
 CALCUL RELATIF À LA COUPE DES TRINGLES - РАСЧЕТ ДЛЯ РЕЗКИ ШТАНГ

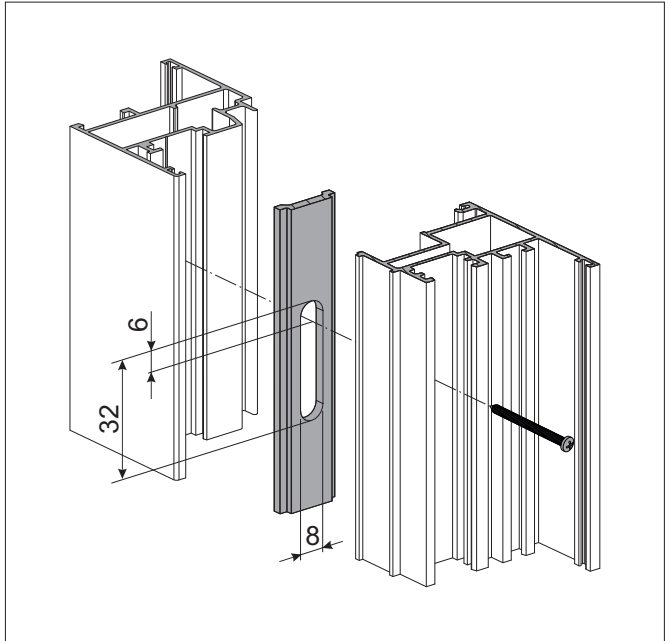
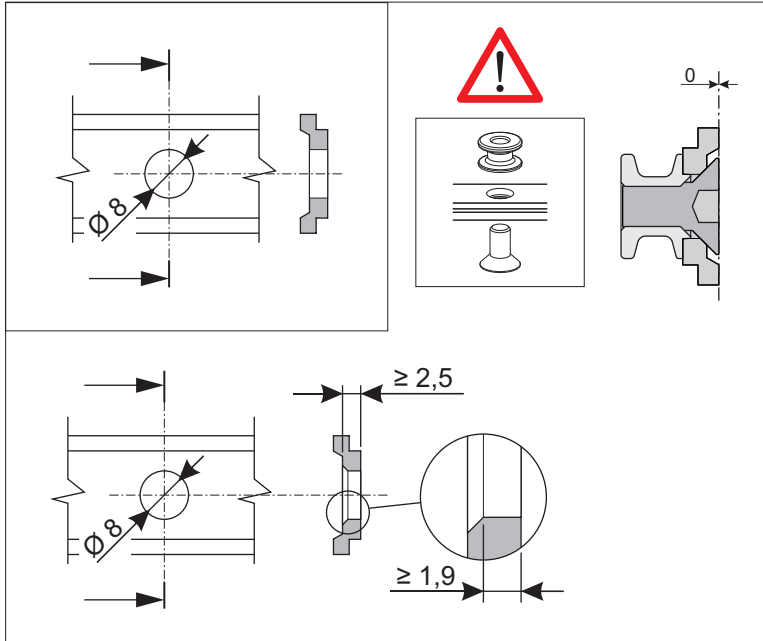


CHIC

| | | | | | |
|------|----------|---|------|---|------|
| 2800 | | SA1=L-415 SB2=H-Hc-207 SC=Hc-207 SD1=L-212 SE3=H-295 B3=H-Hc-207 | | SA2=L-415 SB2=H-Hc-207 SC=Hc-207 SD2=L-212 SE3=H-295 B3=H-Hc-207 | |
| 1500 | | SA1=L-415 SB1=H-Hc-207 SC=Hc-207 SD1=L-212 SE1/SE2=H-295 B4=H-Hc-207 | | SA2=L-415 SB1=H-Hc-207 SC=Hc-207 SD2=L-212 SE1/SE2=H-295 B4=H-Hc-207 | |
| 1200 | S | | | | |
| 1120 | | | | | |
| | 770 | T1 | 1000 | T1 | 1600 |

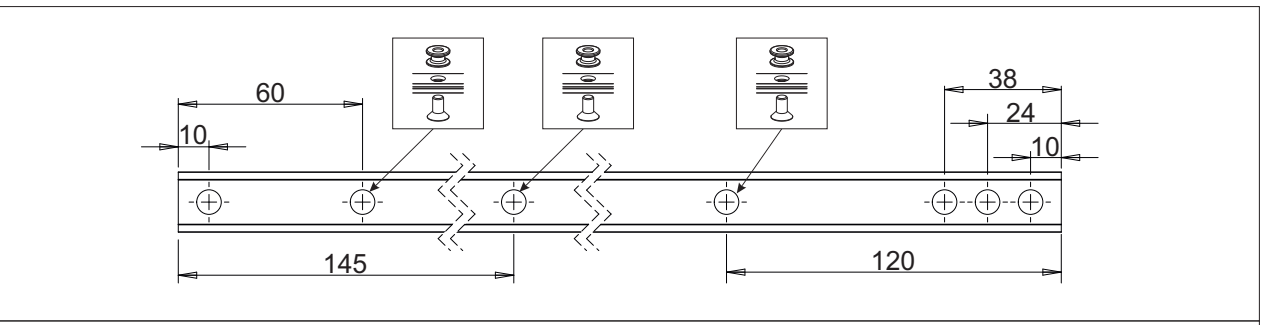
FUTURA

| | | | | | |
|------|----------|---|------|---|------|
| 2800 | | SA1=L-355 SB2=H-Hc-207 SC=Hc-207 SD1=L-212 SE3=H-295 B3=H-Hc-207 | | SA2=L-355 SB2=H-Hc-207 SC=Hc-207 SD2=L-212 SE3=H-295 B3=H-Hc-207 | |
| 1500 | | SA1=L-355 SB1=H-Hc-207 SC=Hc-207 SD1=L-212 SE1/SE2=H-295 B4=H-Hc-207 | | SA2=L-355 SB1=H-Hc-207 SC=Hc-207 SD2=L-212 SE1/SE2=H-295 B4=H-Hc-207 | |
| 1200 | S | | | | |
| 1120 | | | | | |
| | 720 | T1 | 1000 | T1 | 1600 |



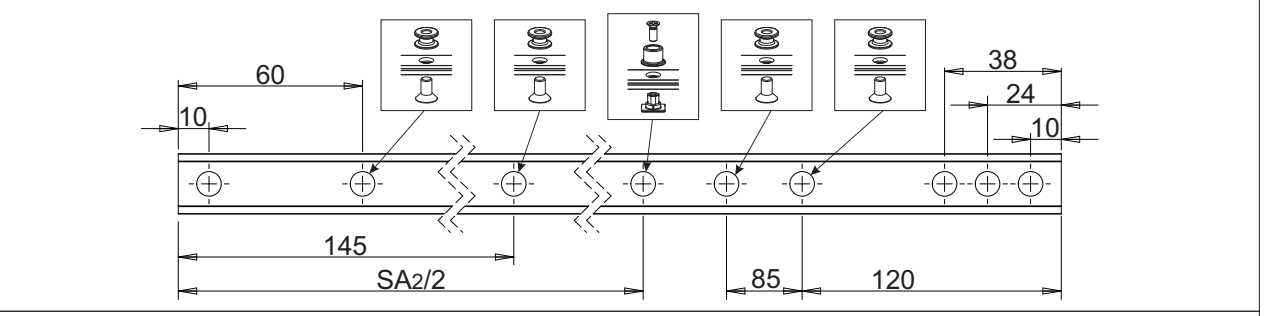
SA1

$L \leq 1000$



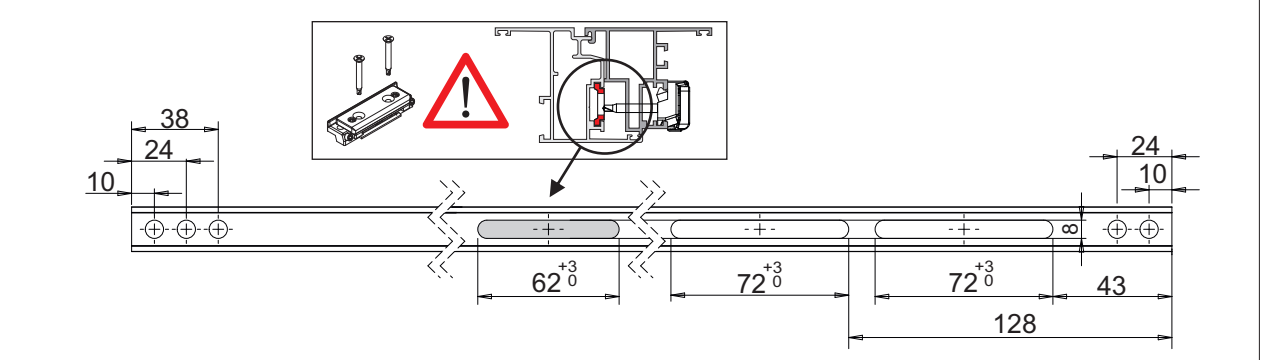
SA2

$L > 1000$



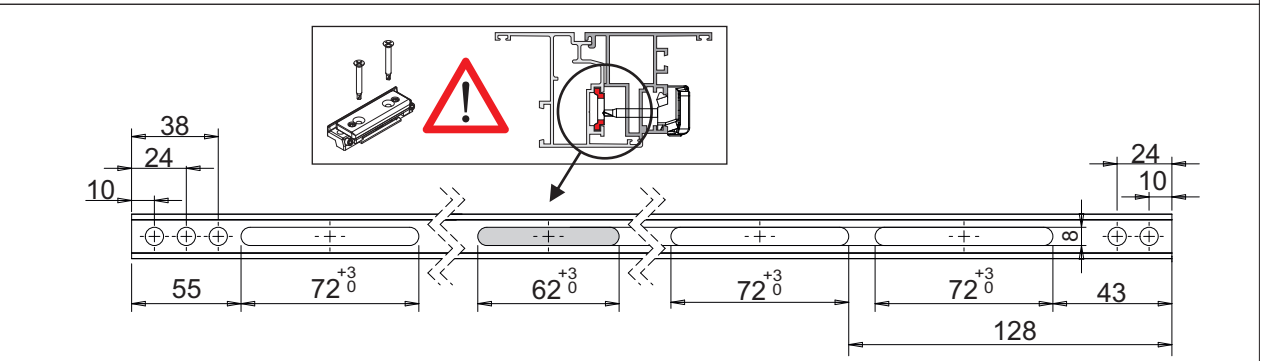
SB1

$H < 1500$

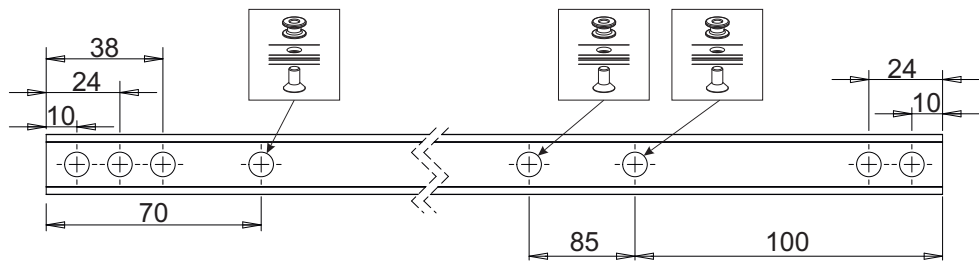
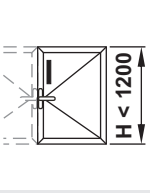


SB2

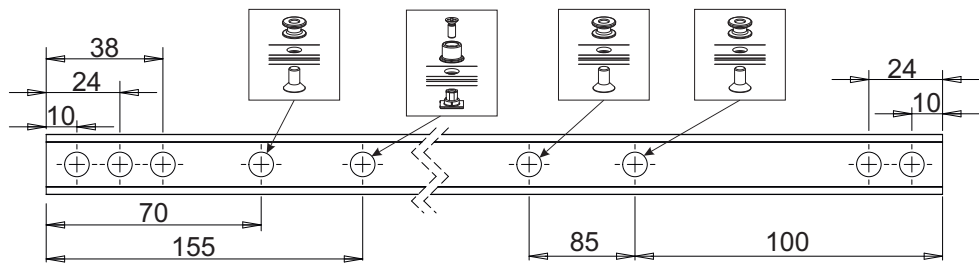
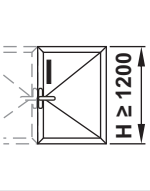
$H \geq 1500$



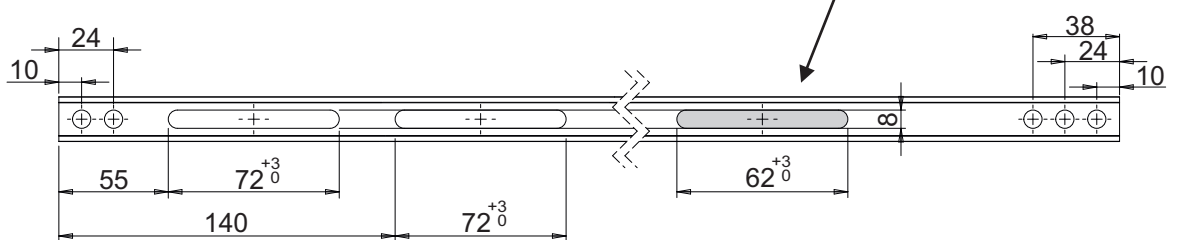
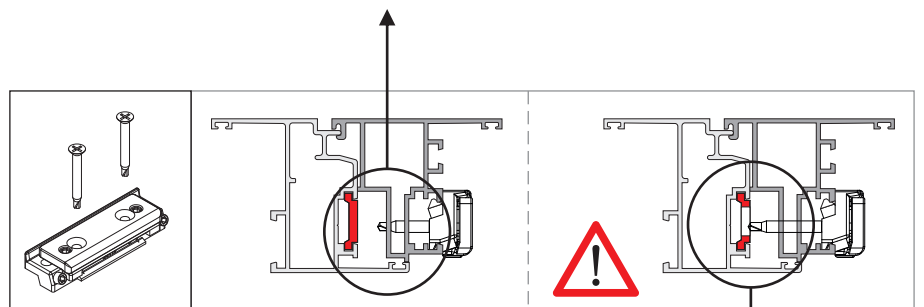
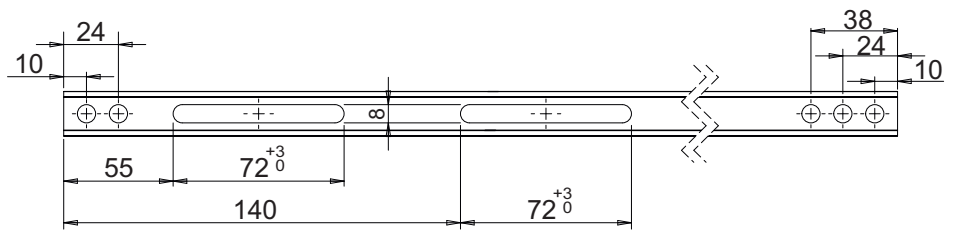
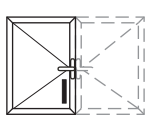
B4



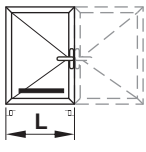
B3



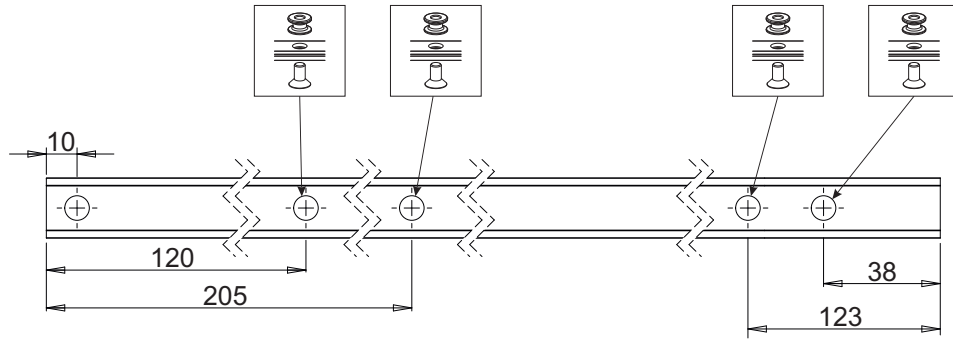
SC



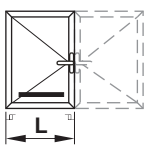
SD1



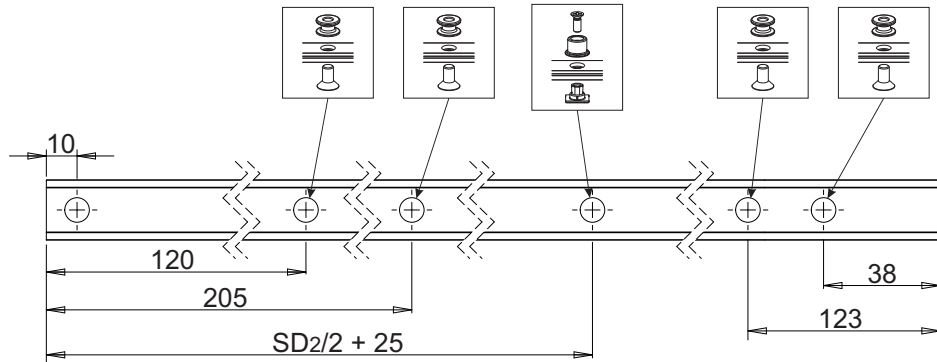
$L \leq 1000$



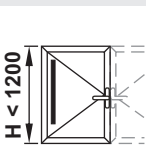
SD2



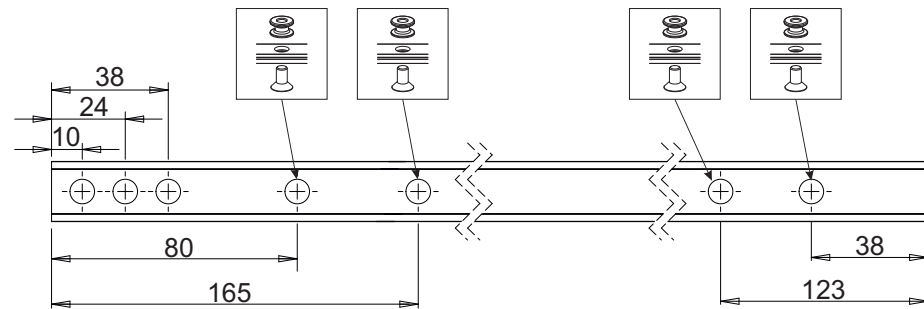
$L > 1000$



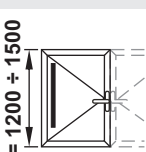
SE1



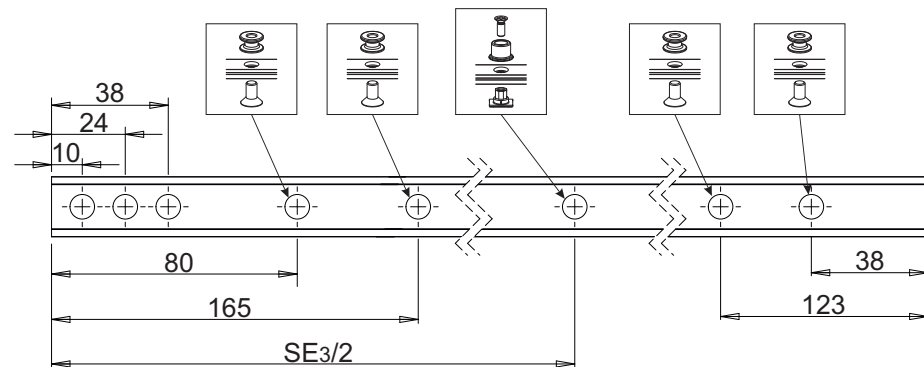
$H < 1200$



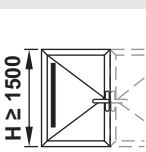
SE2



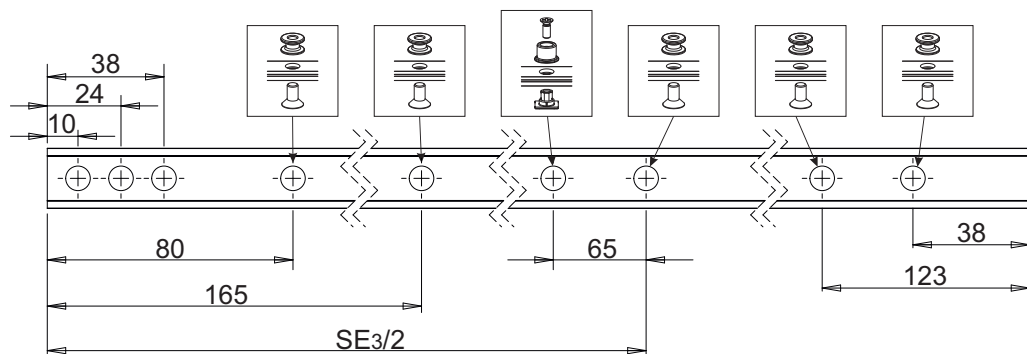
$H = 1200 + 1500$

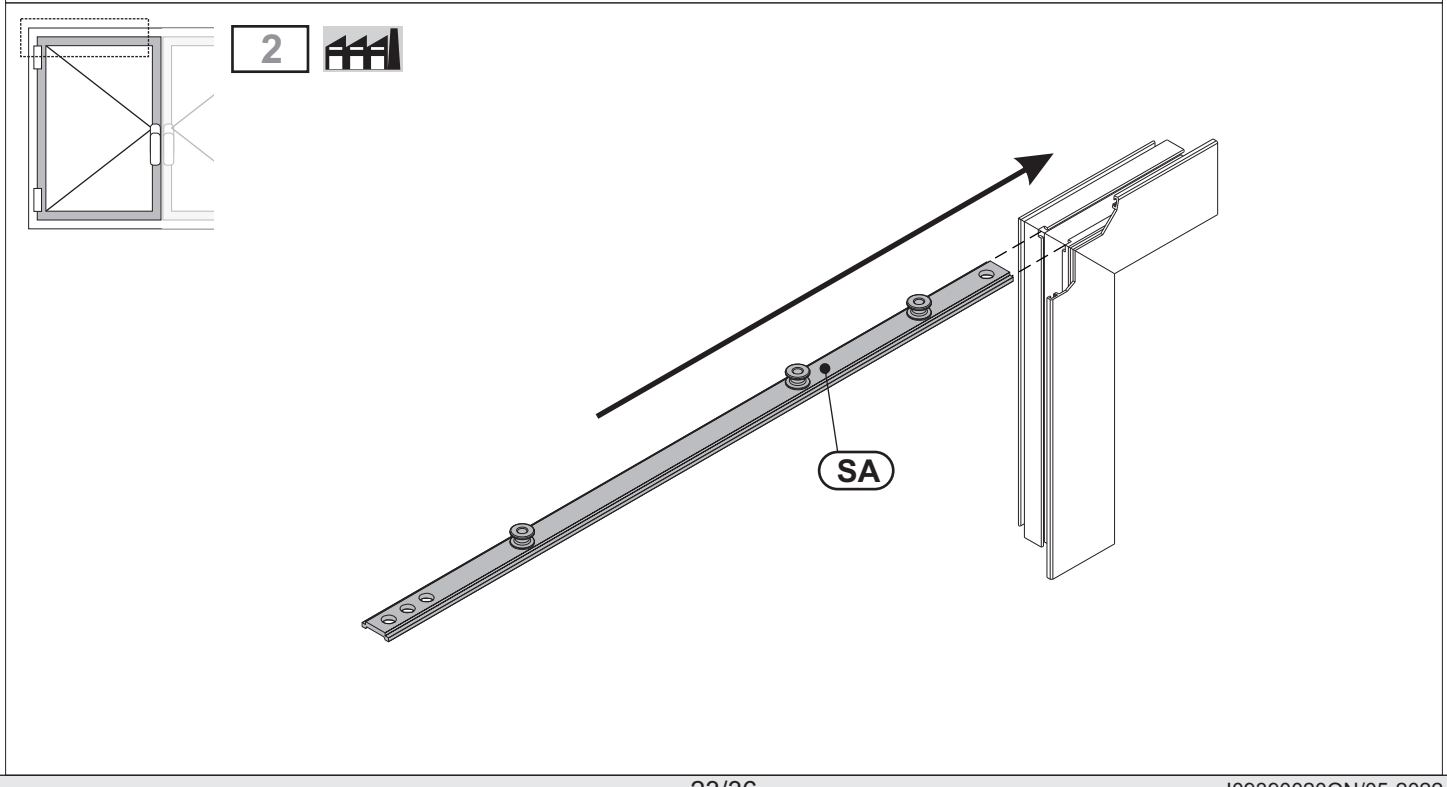
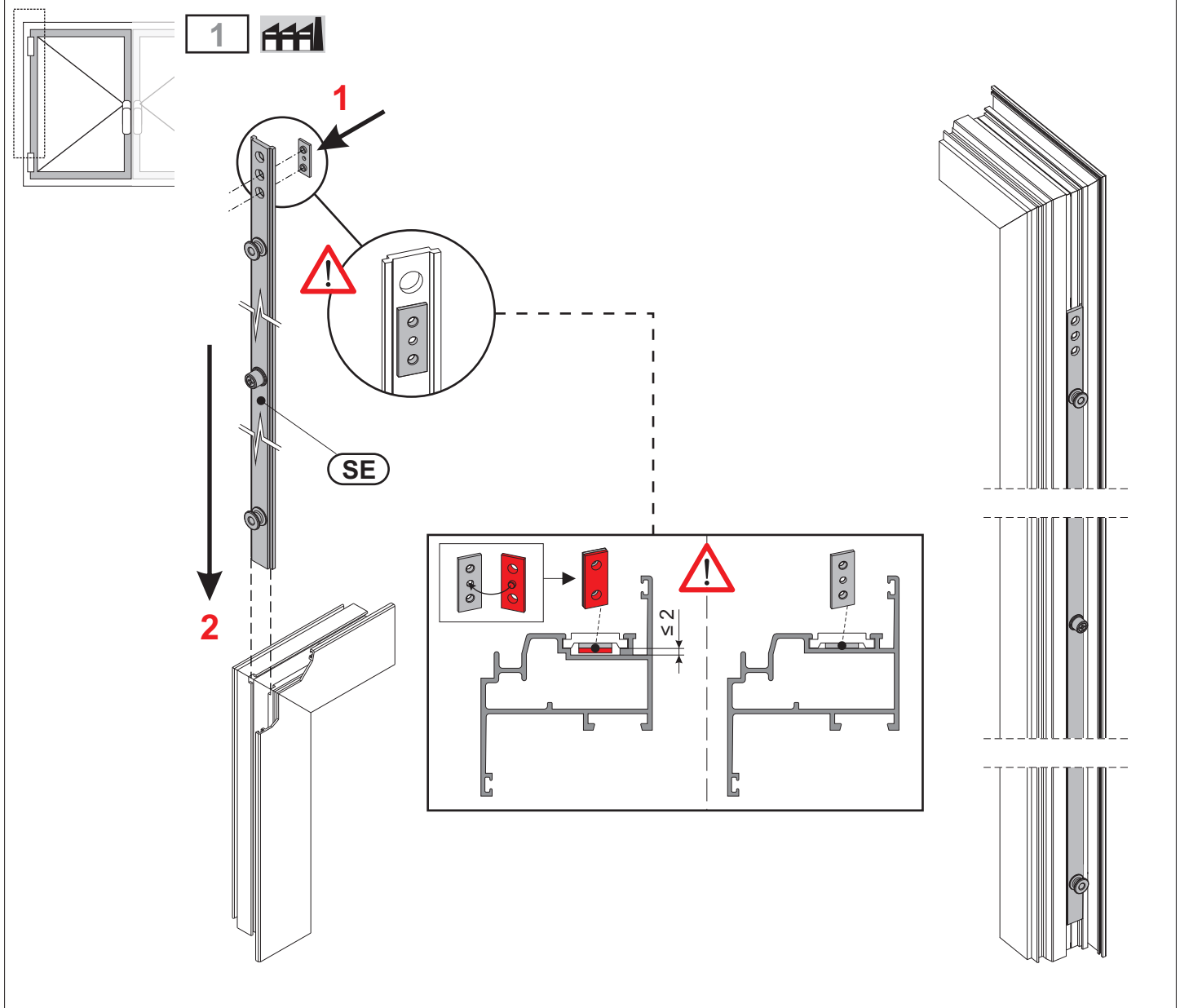


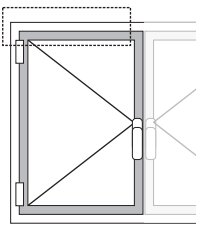
SE3



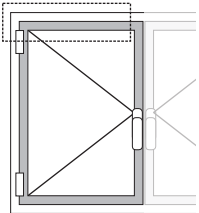
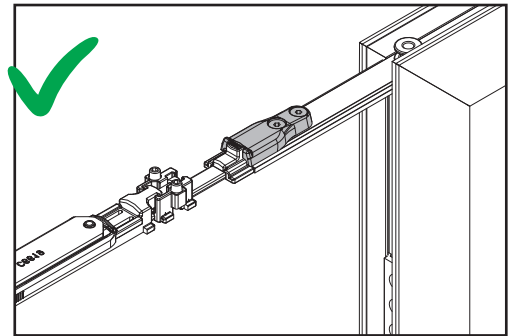
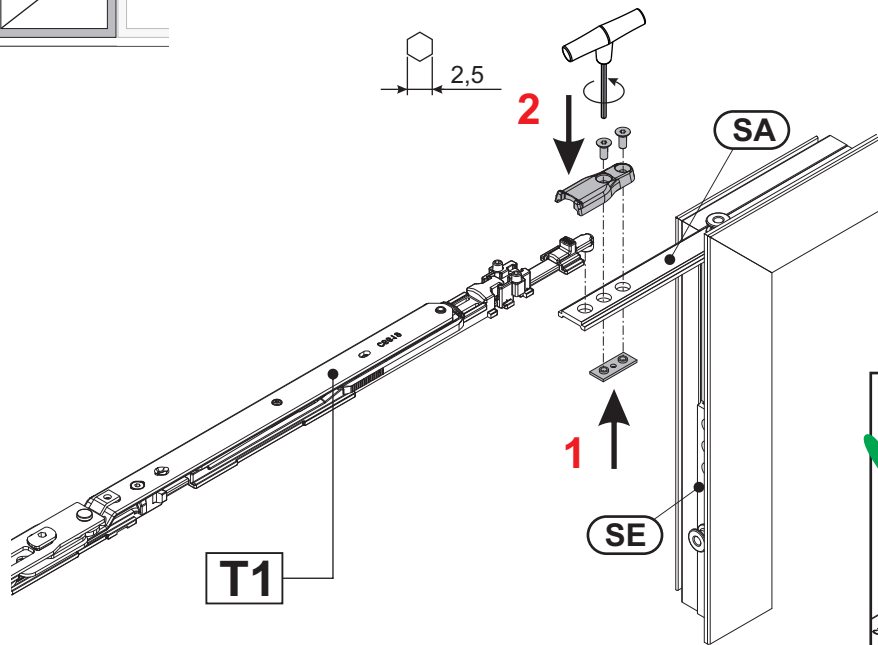
$H \geq 1500$



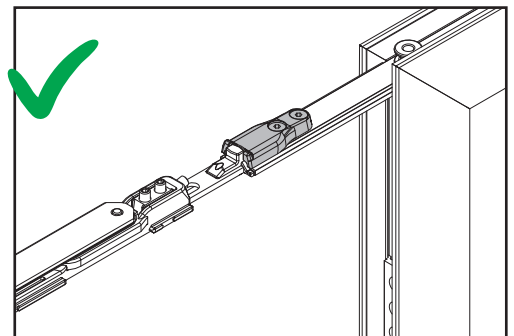
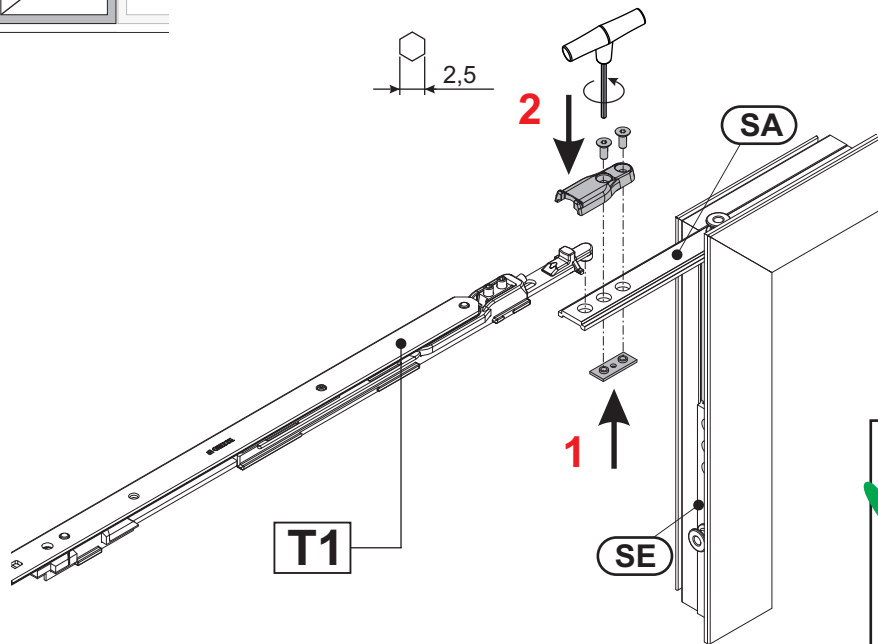


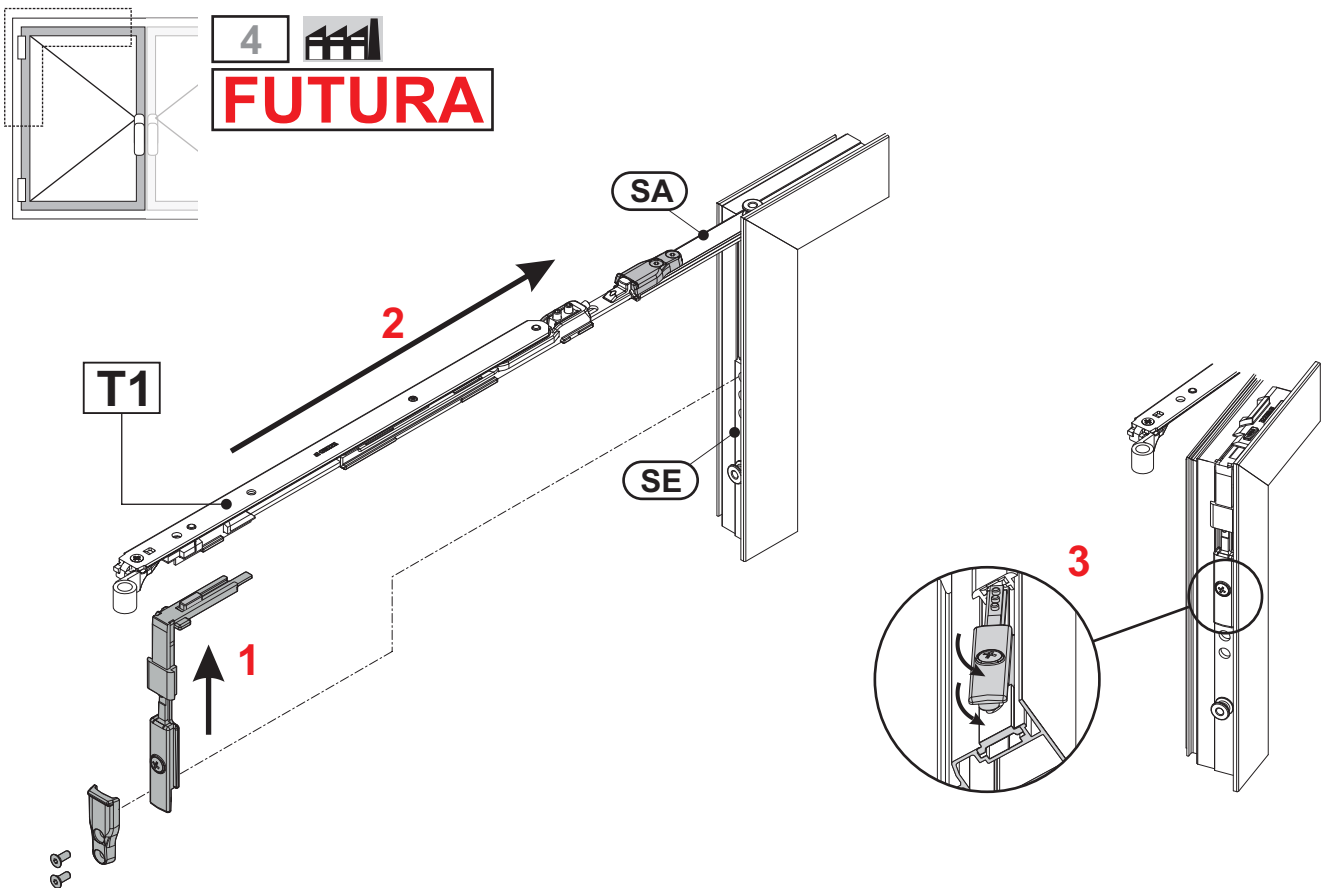
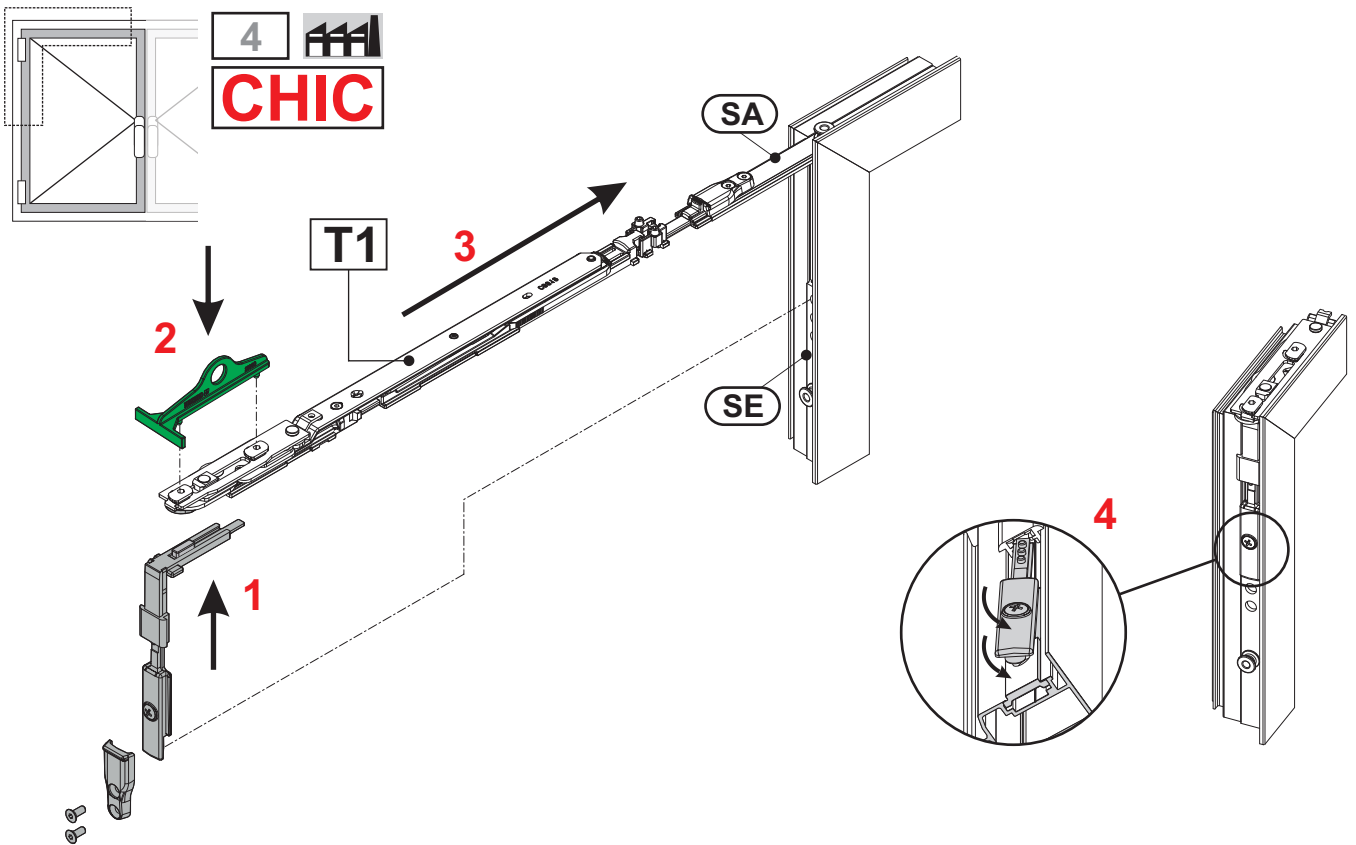


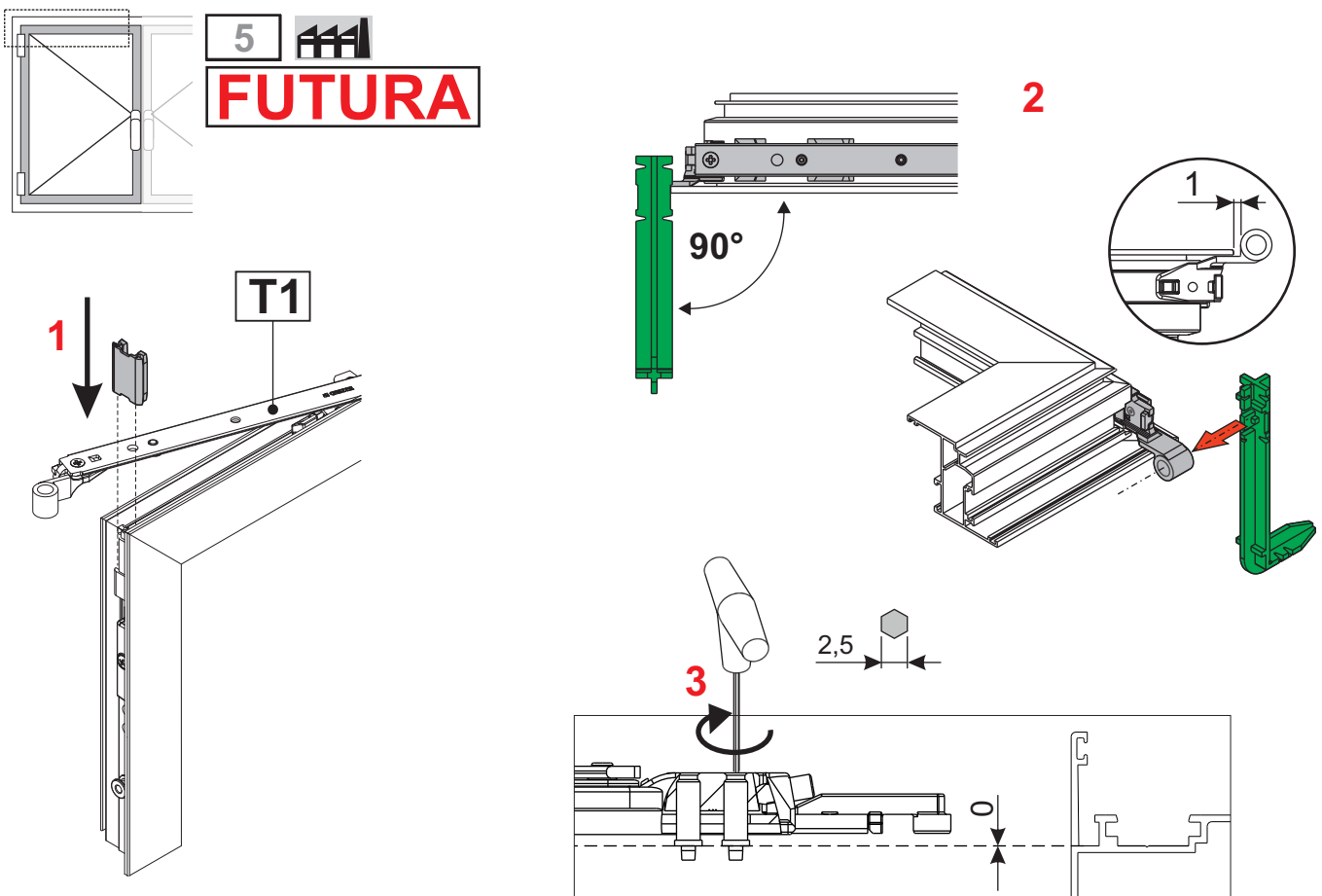
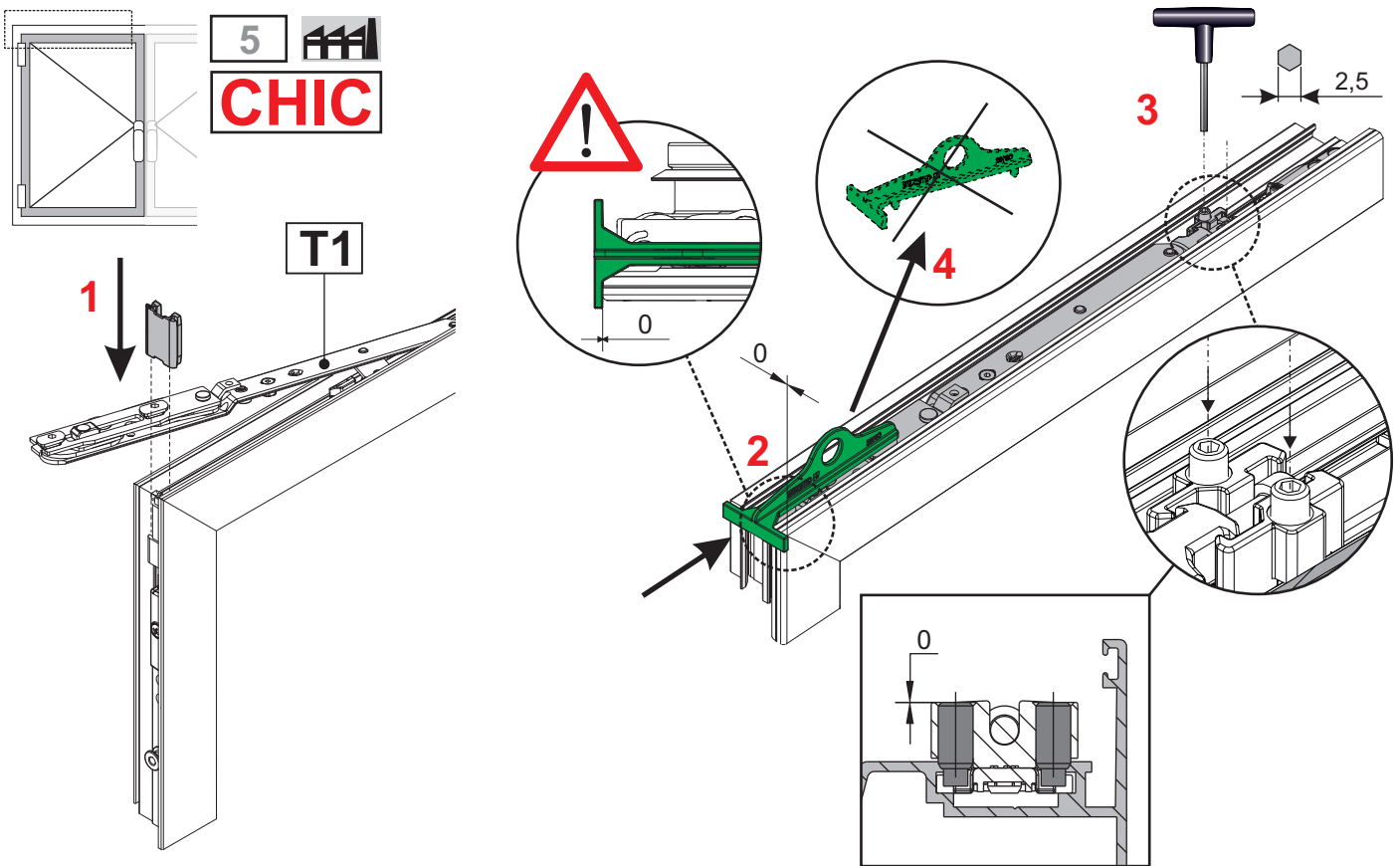
3 
CHIC

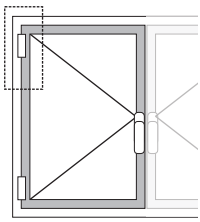


3 
FUTURA

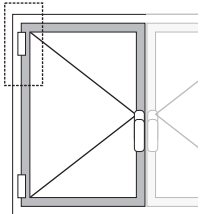
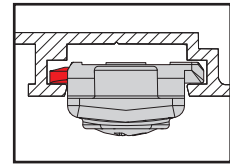
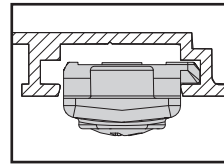
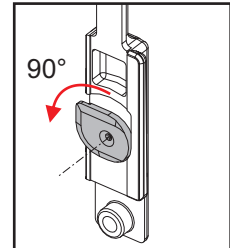
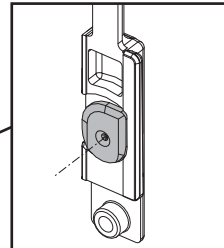
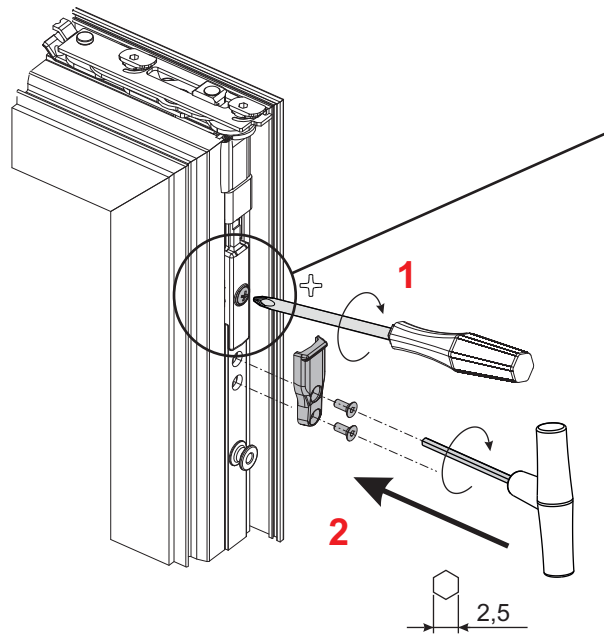




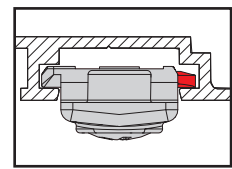
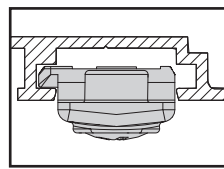
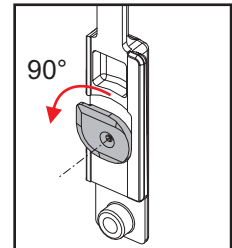
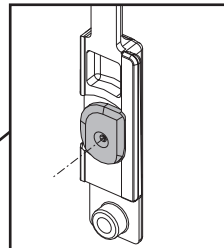
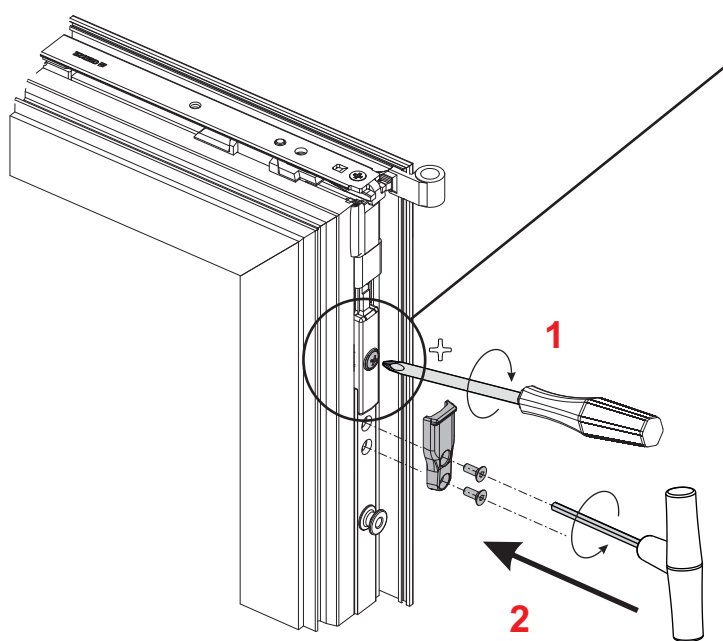


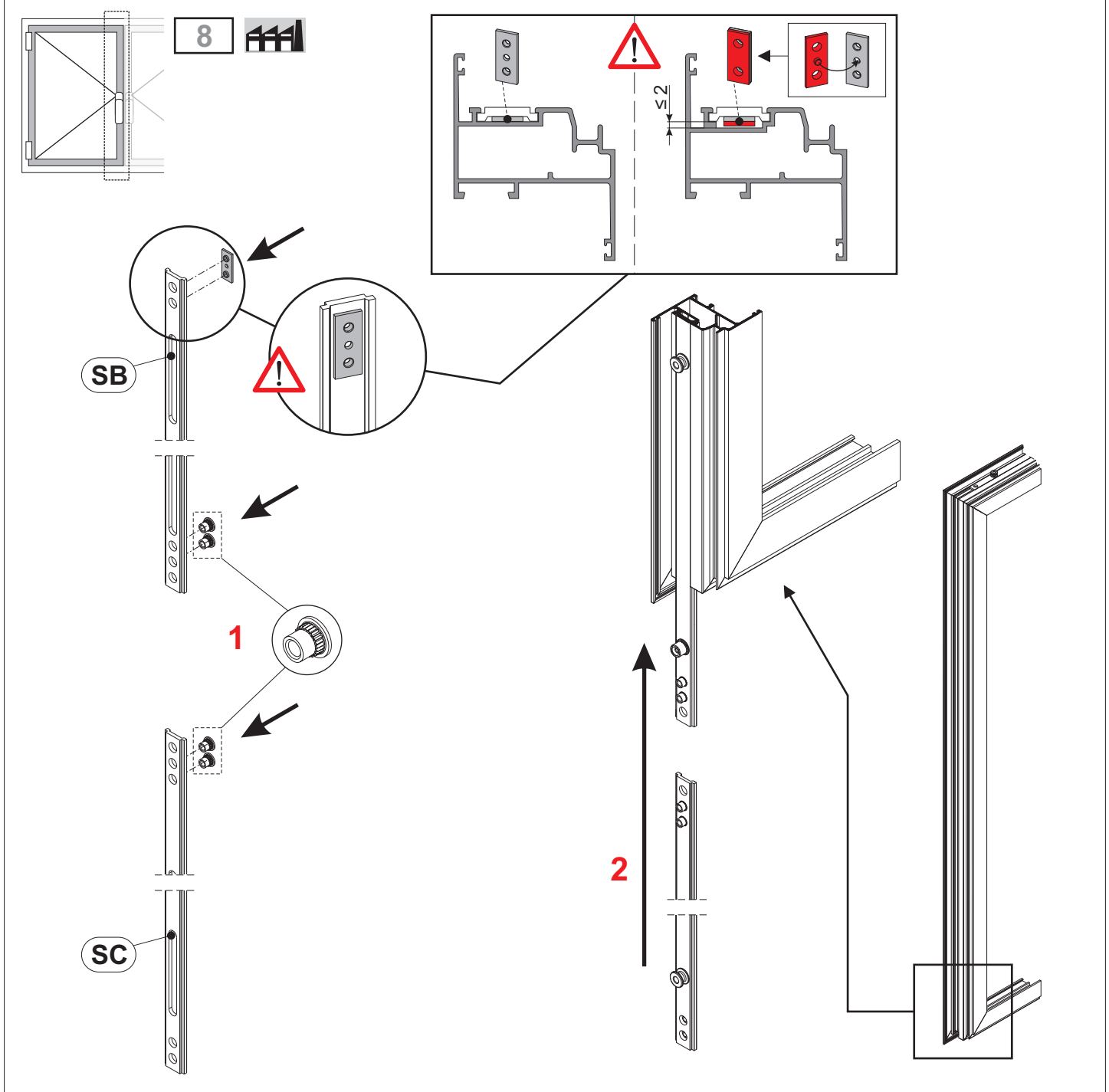
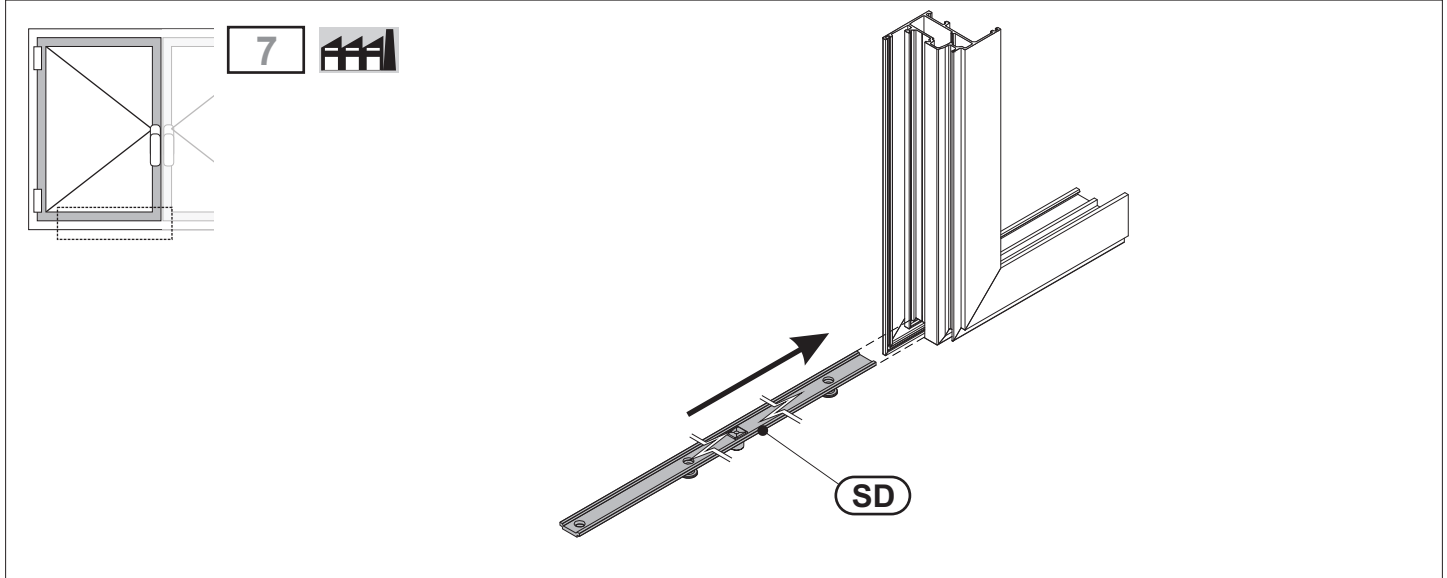


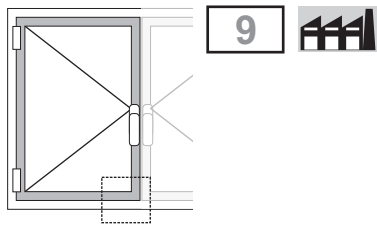
6 
CHIC



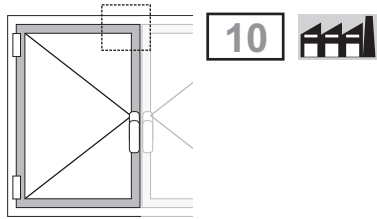
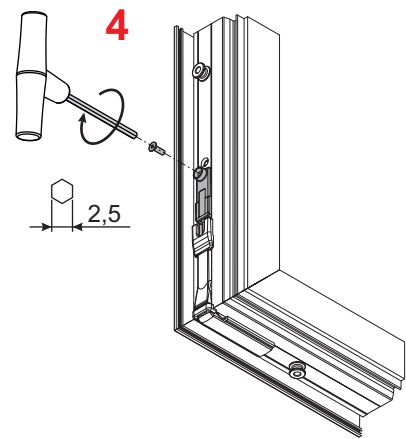
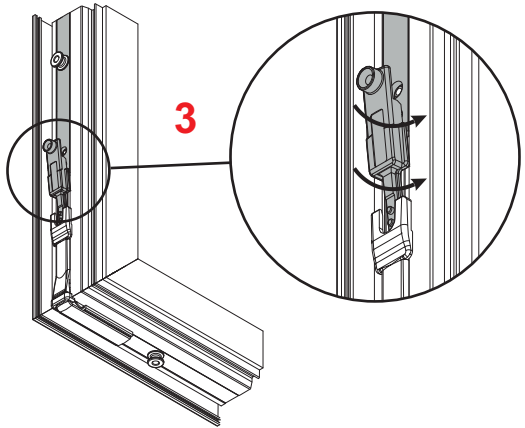
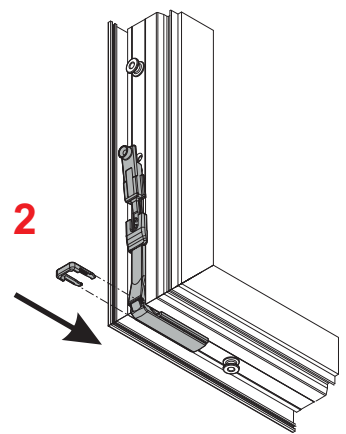
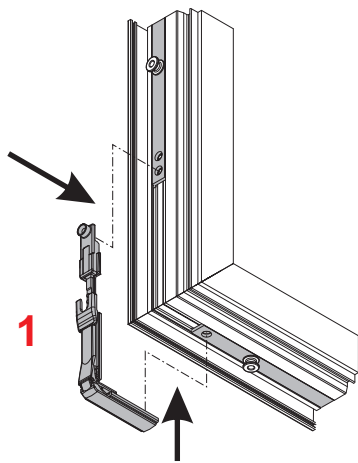
6 
FUTURA



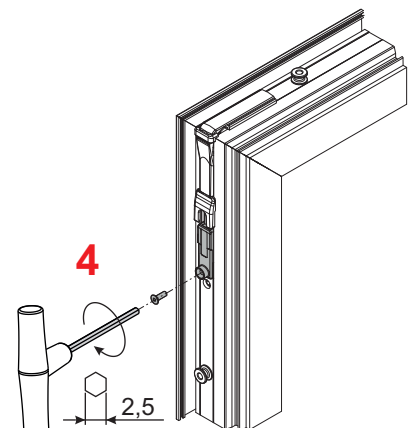
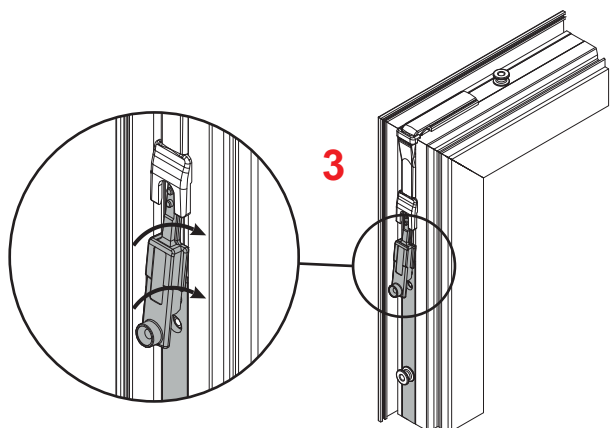
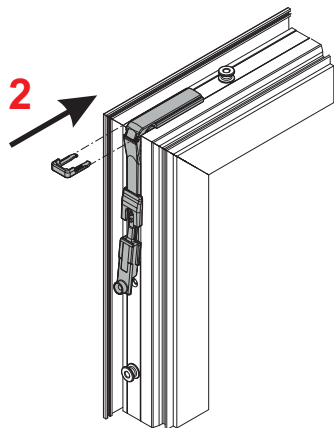
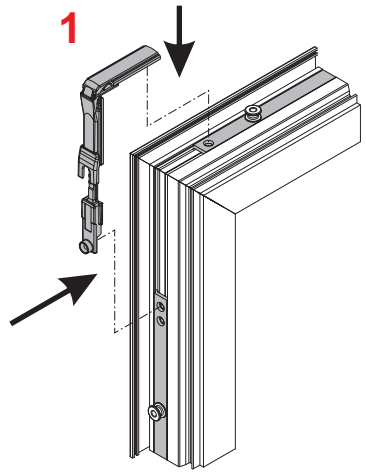


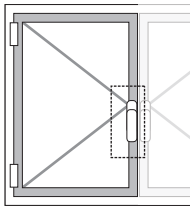


9

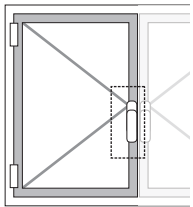
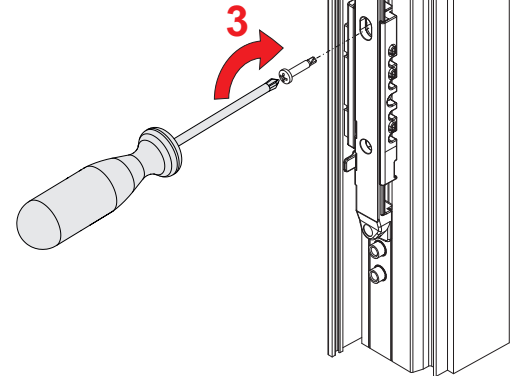
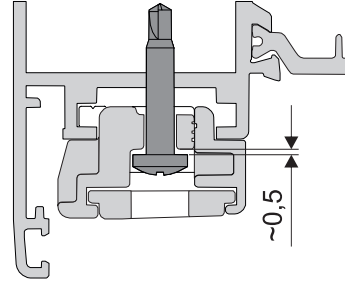
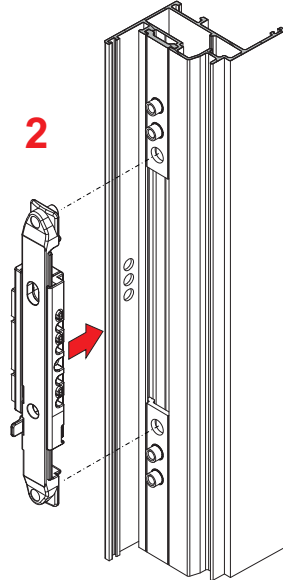
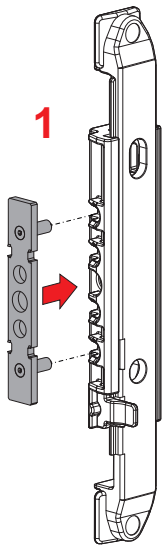
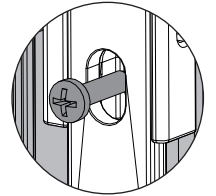
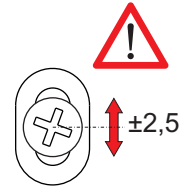


10

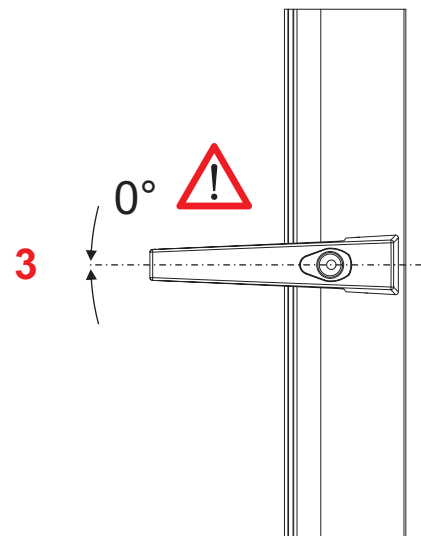
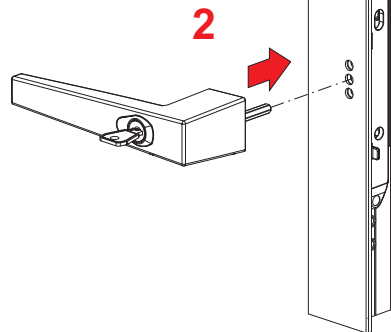
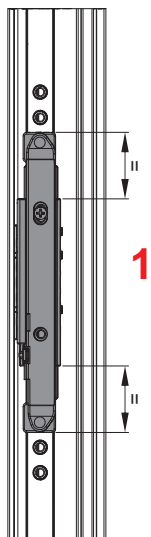




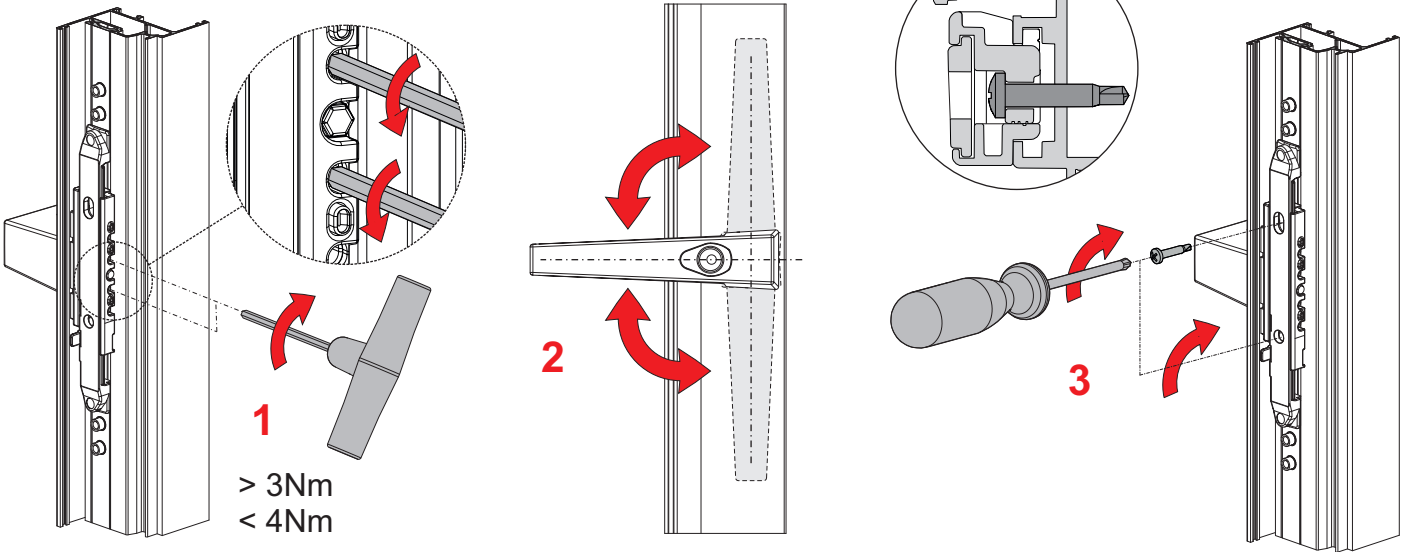
11



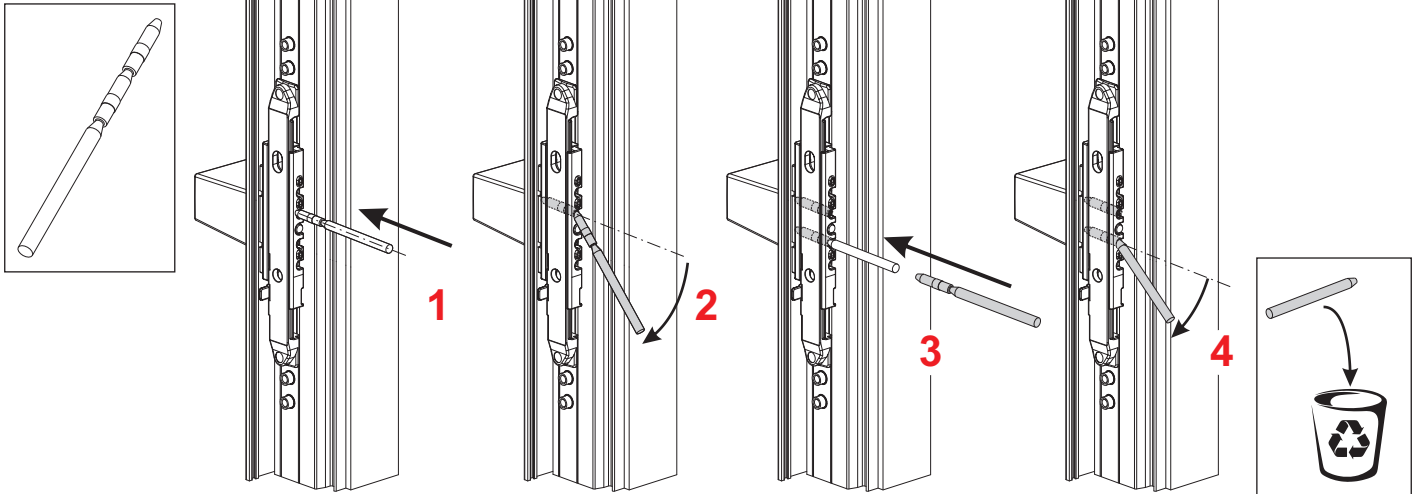
12



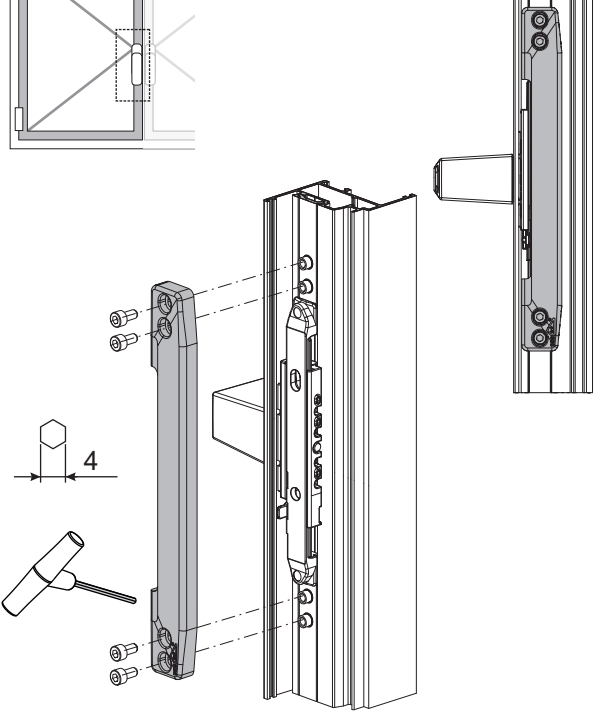
13



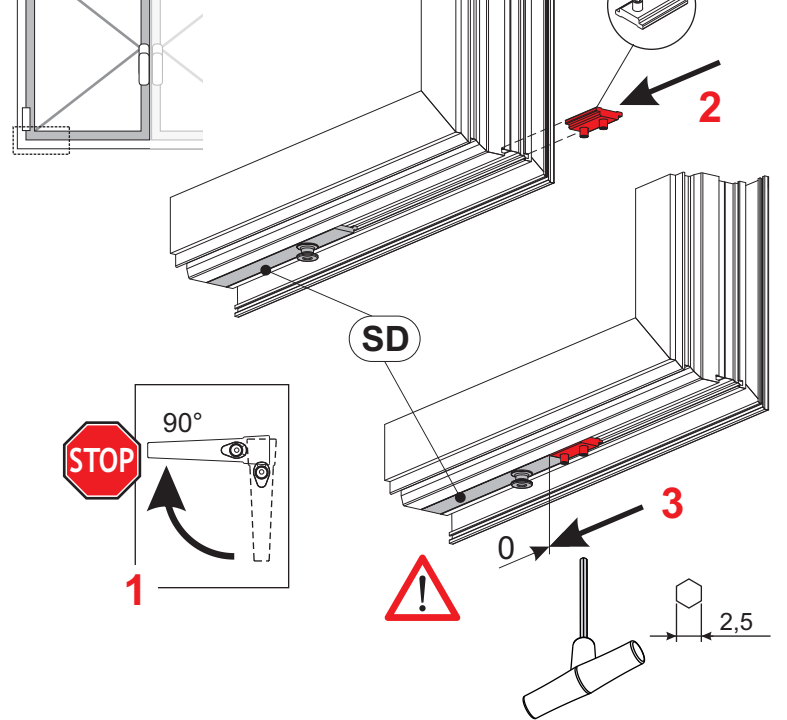
14

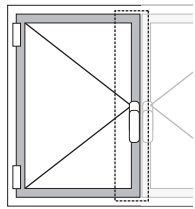


15

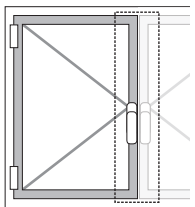
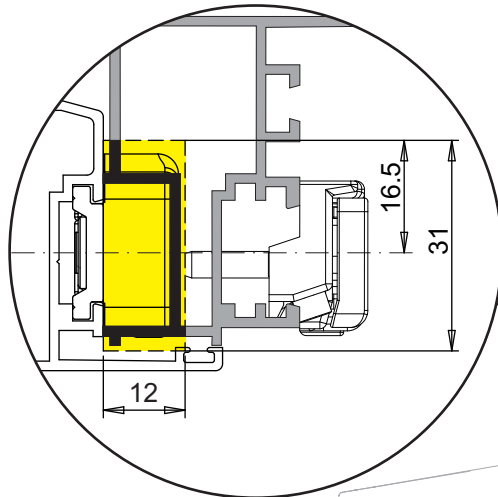
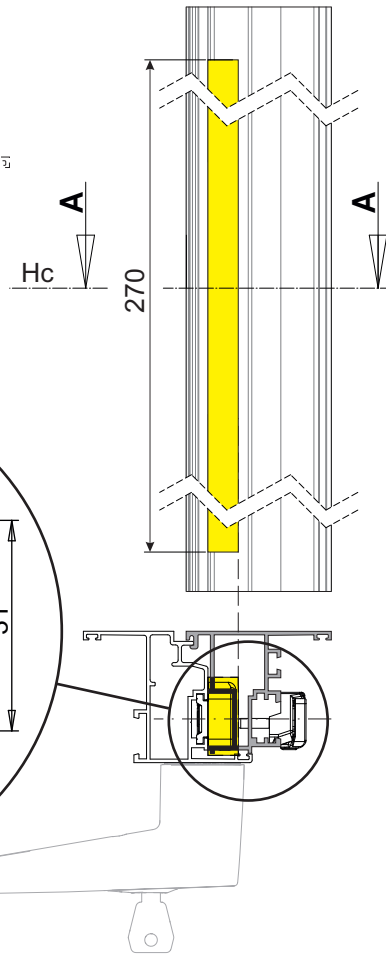
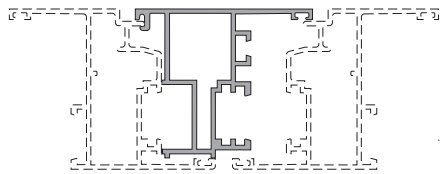


16

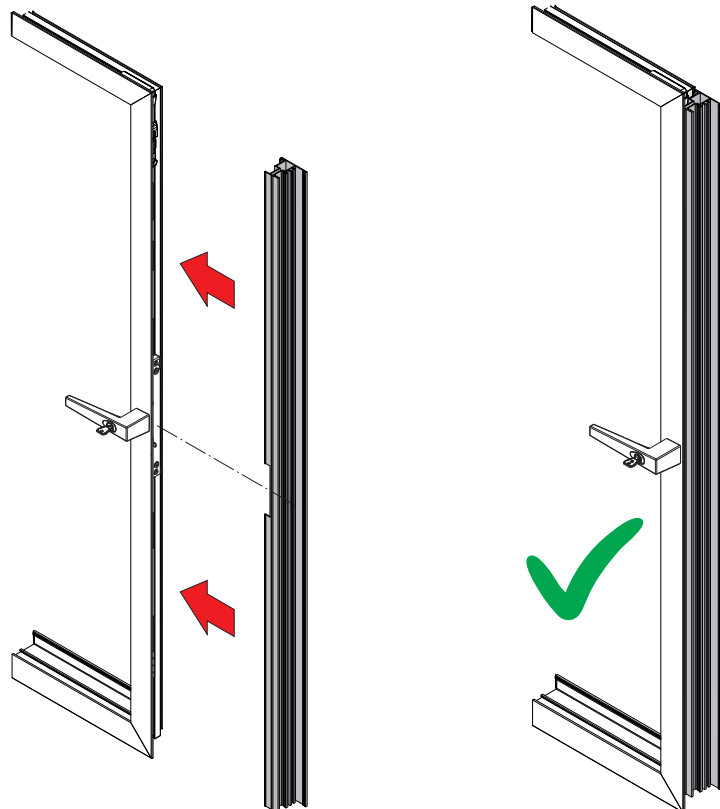




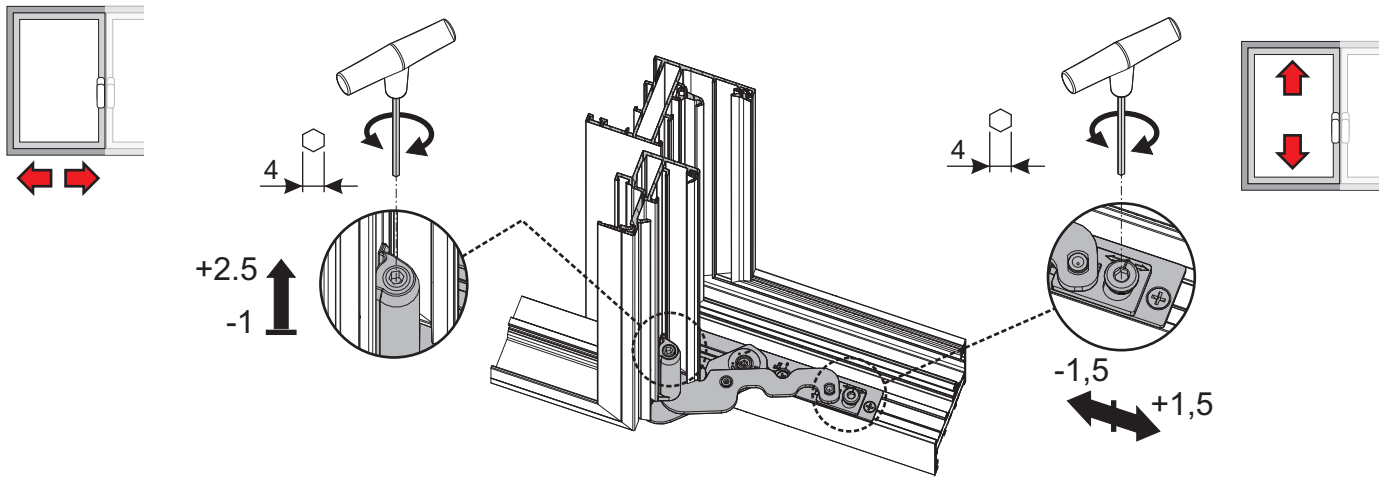
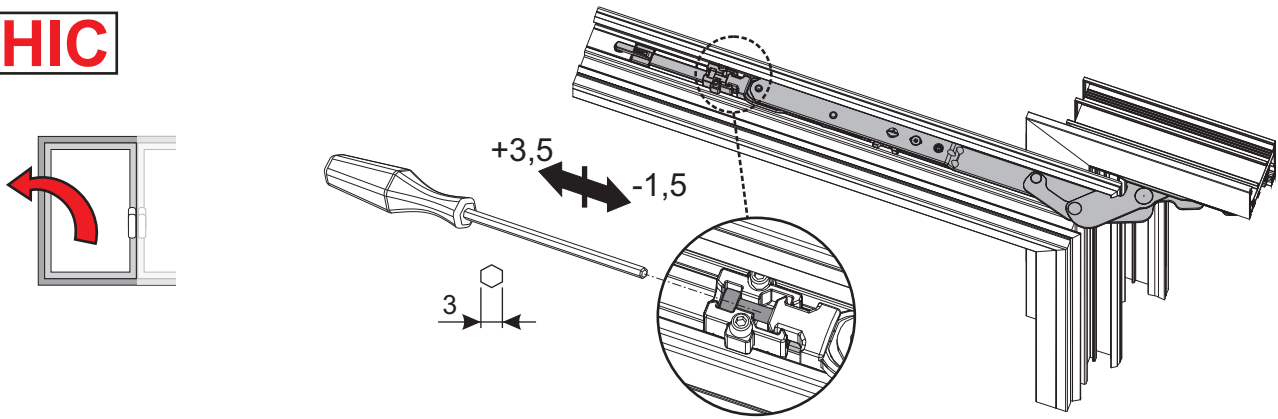
17



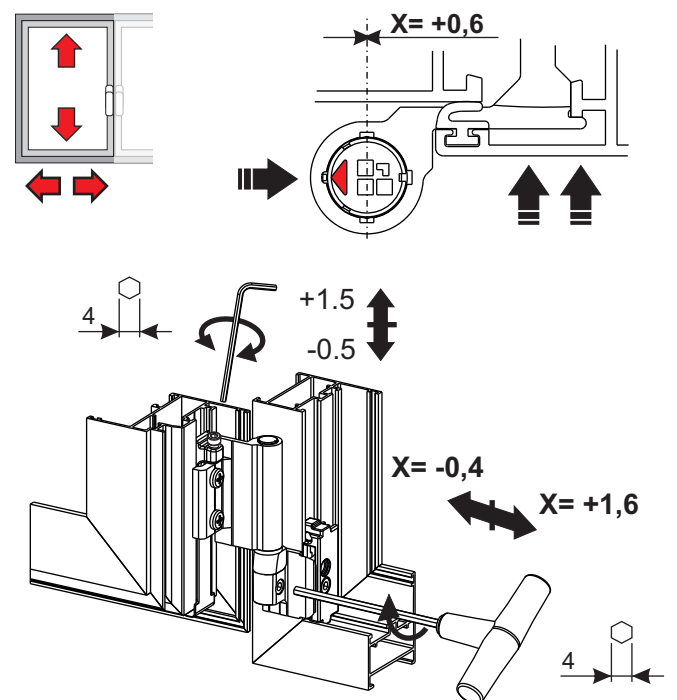
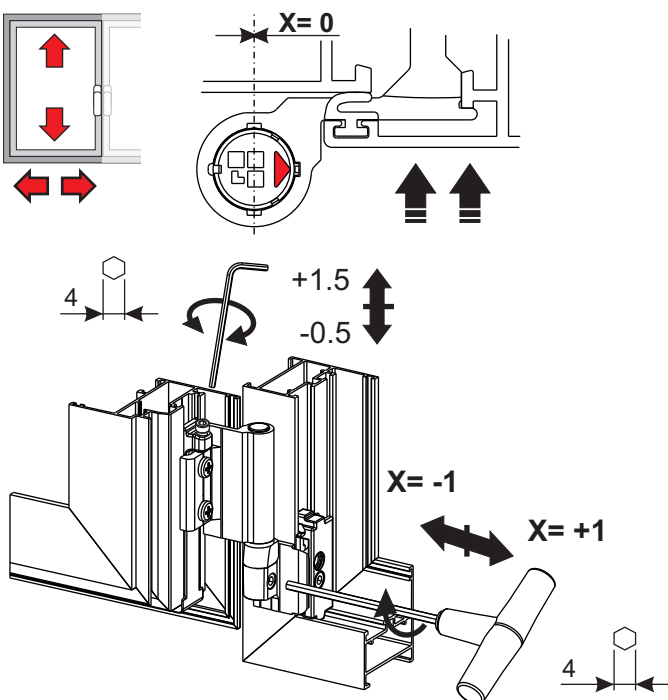
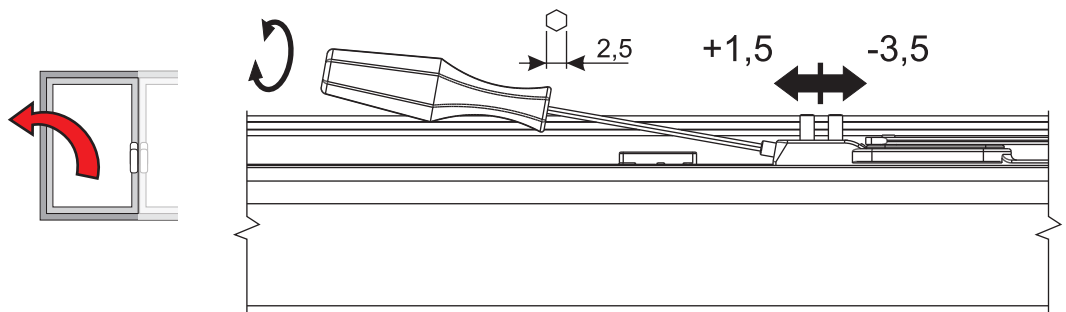
18

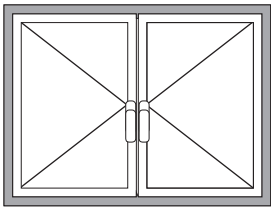


CHIC

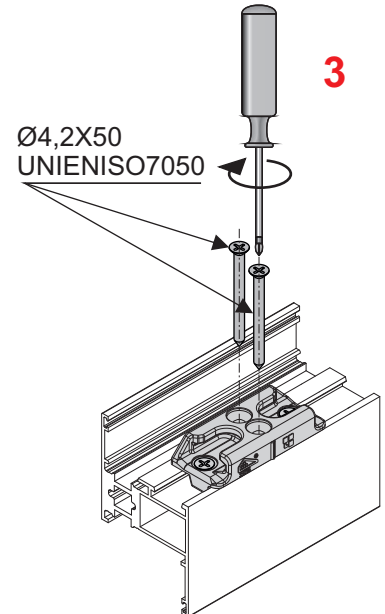
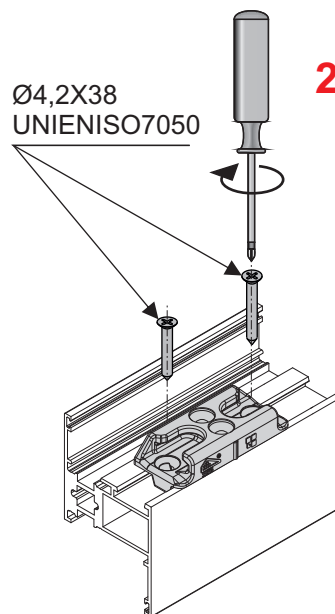
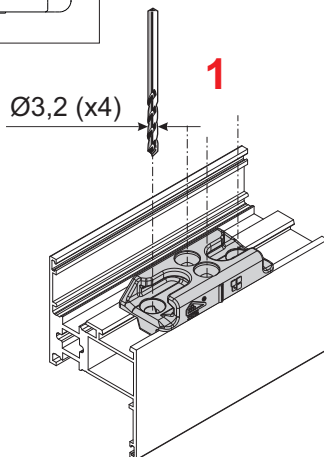
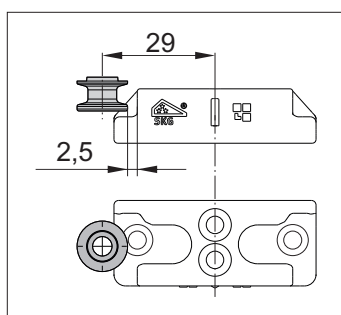
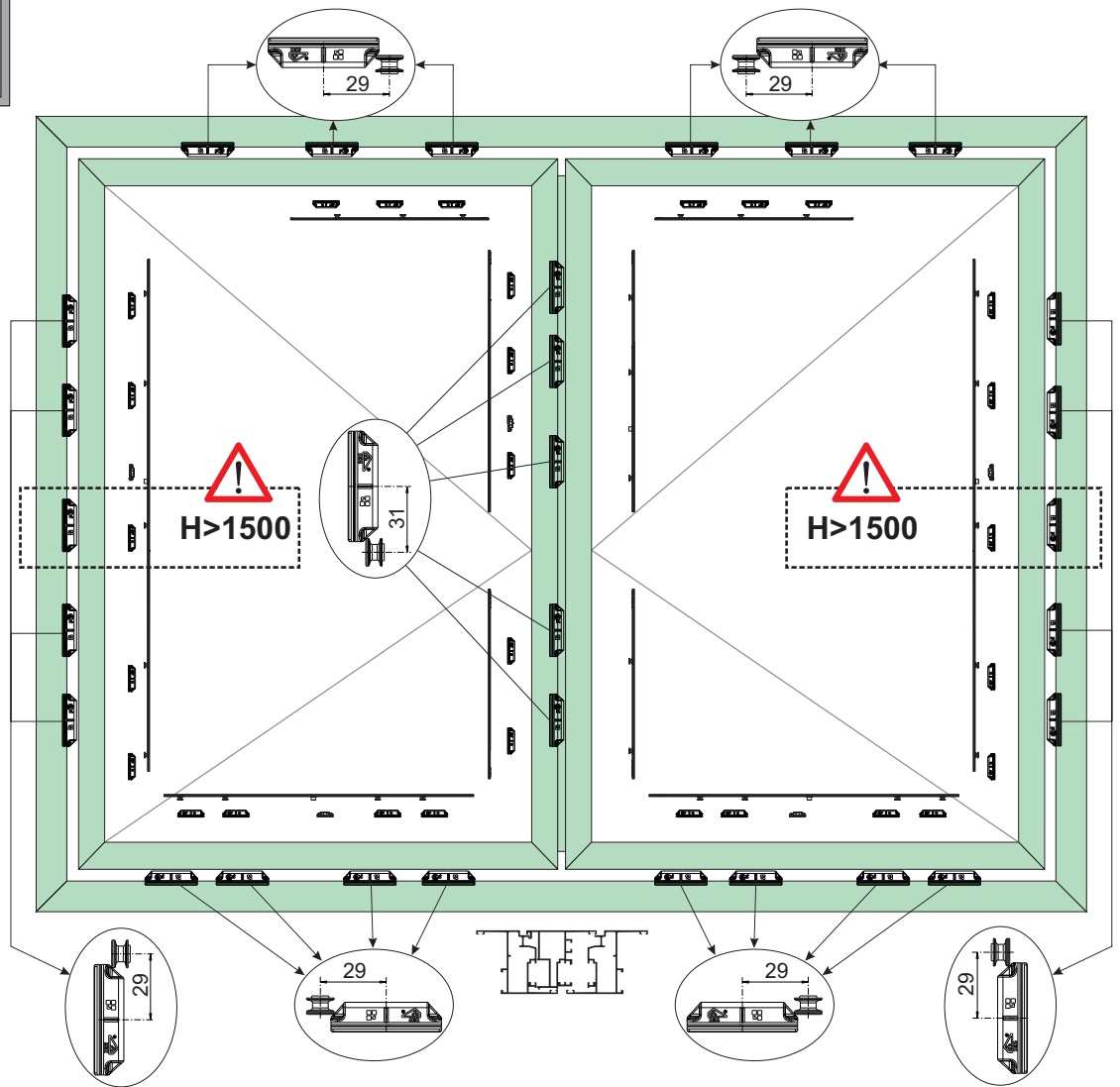


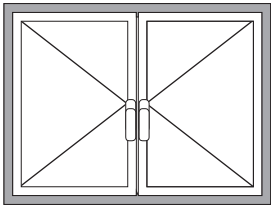
FUTURA



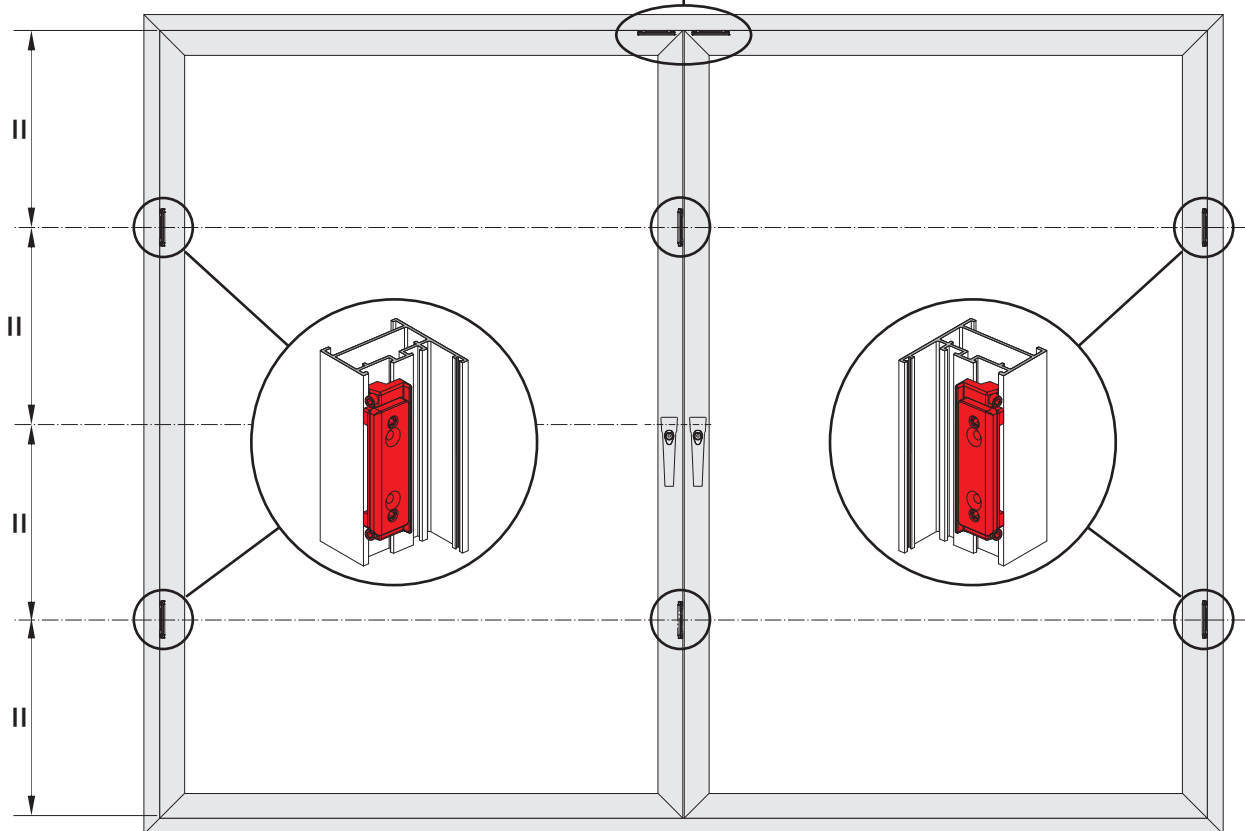
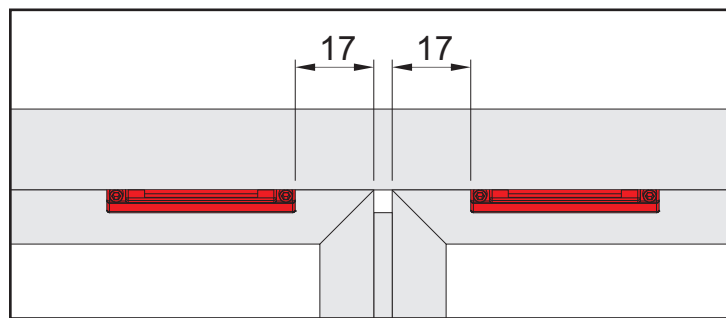
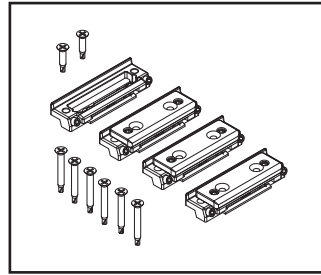


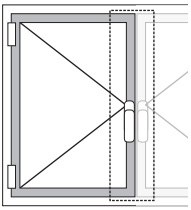
19





20





21

