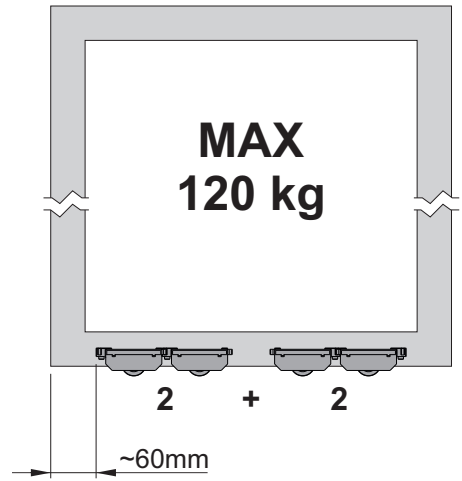
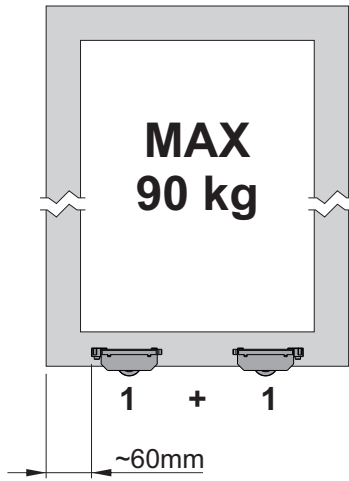
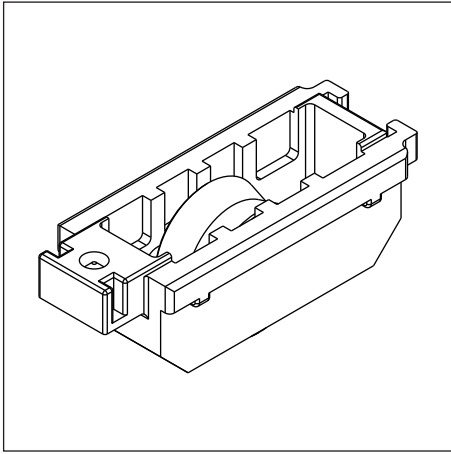
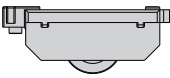
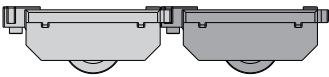

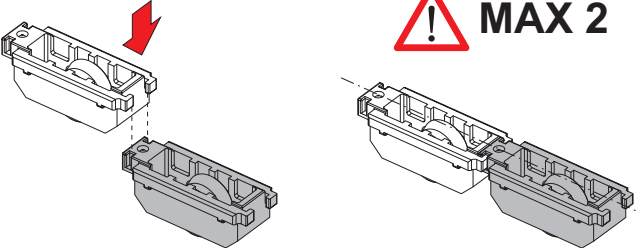


109440000QNI/07-2019

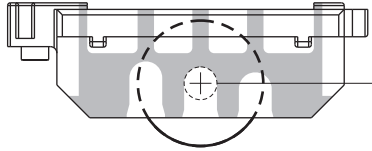


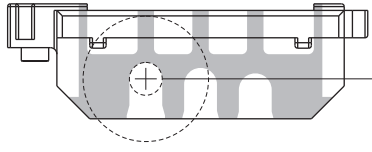
<b>x1</b>		<b>MAX 45 kg</b>
-----------	---	----------------------

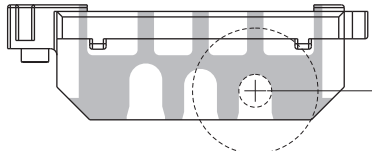
<b>x2</b>		<b>MAX 60 kg</b>
 <b>MAX 2</b>		
		

↑  
±1  
↓

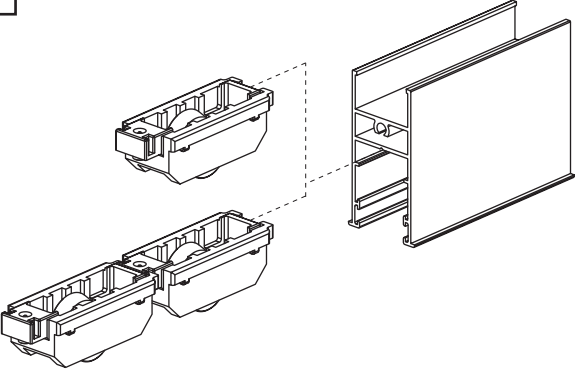
**0**



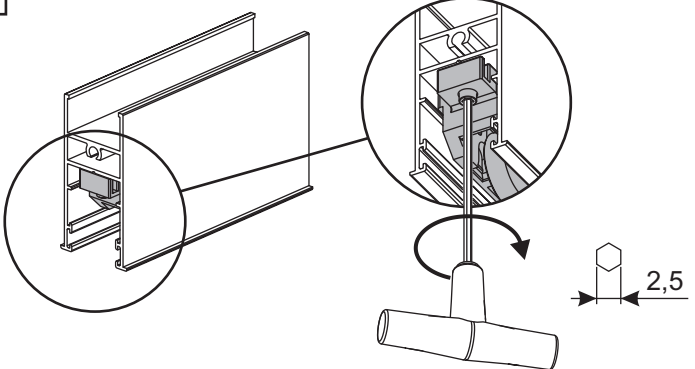




**1**



**2**



**3**

