

T-JOINT

89989

Functions

Head joint for the cross and T-connection of extruded aluminium profiles, quick to mount and secure.

Technical features

Fitted before frame assembly.

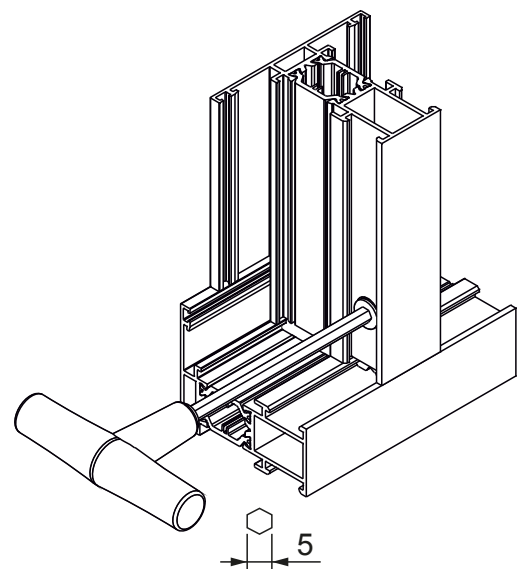
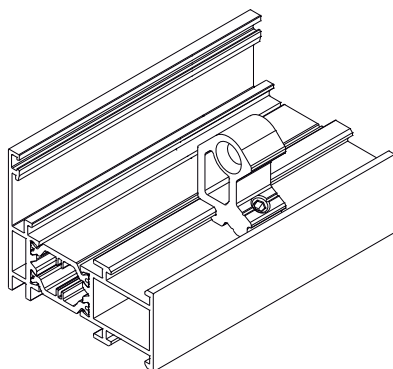
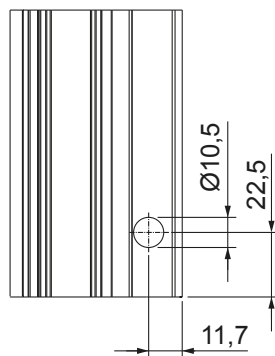
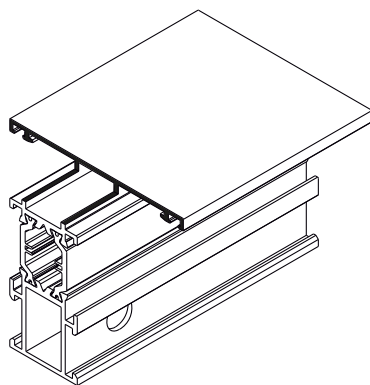
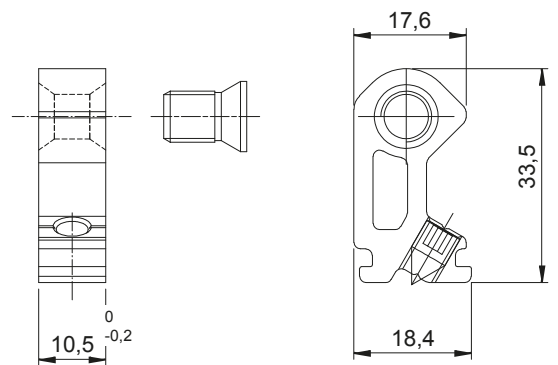
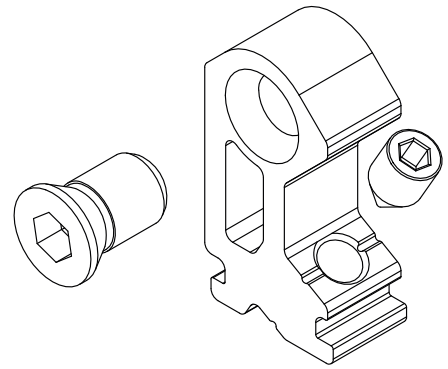
Fixed with grub screw.

Equipped with a special pull screw that prevents any interference with the glazing bead.

Materials

Body in extruded aluminium

Steel screw and grub screw



Item code	Description	Note	Base Raw	Anodised Elox	Painted	Trend/ Gold Brass	Special finishes	Order	Pieces per pack
89989	T-JOINT		X						100