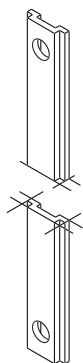


GIAP AND SUPERGIAP ACCESSORIES



Functions

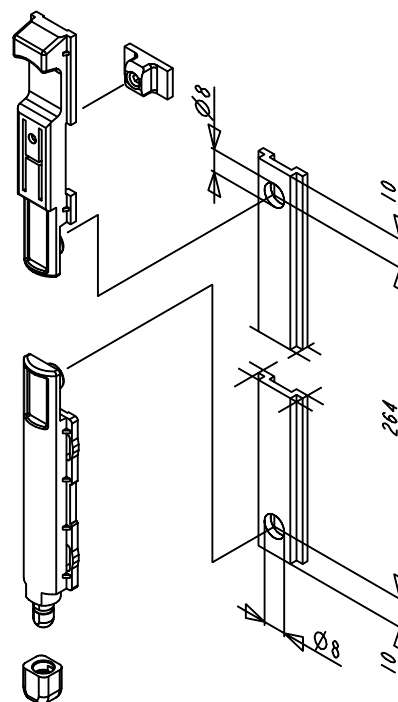
Rod to extend the GIAP bolt for 15-20 grooves.
The rod is used to extend the mechanism of the Giap bolt, instead of the connection plate.

Online data sheet



Materials

Fibreglass-reinforced polyamide



Item code	Description	Note	Base Raw	Anodised Elox	Painted	Trend/Gold Brass	Pieces per pack
02113	EXTENSION ROD FOR GIAP BOLTS	E.G. - ALLC05		X			50