

FUTURA 3D 130 SECONDARY SASH

Functions

Adapter for FUTURA 3D 130 tilt-and-turn secondary sash hinges.

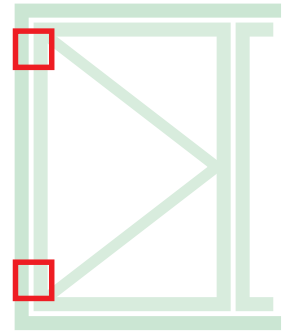
The adapter lets you turn the set of tilt-and-turn hinges into hinges for a secondary sash, keeping the same design, adjustments, dimensions and capacities achievable with a main sash.

Materials

Body of hinges in extruded aluminium and brass.

Supports in zamak with GS Silver Plus finish (up to 500 hr corrosion resistance).

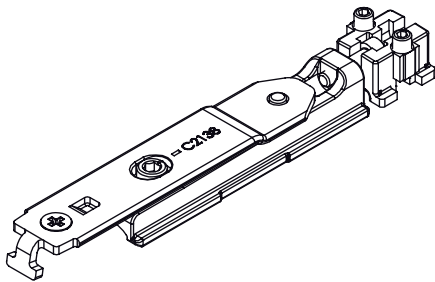
Pins, screws and grub screws in stainless steel.



Online data sheet



04728



04711

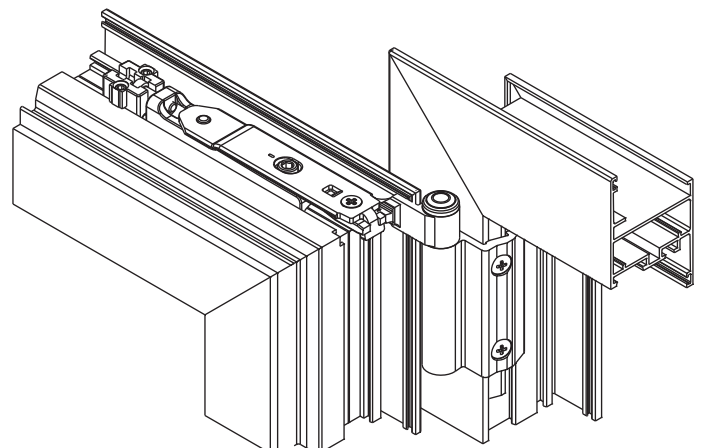
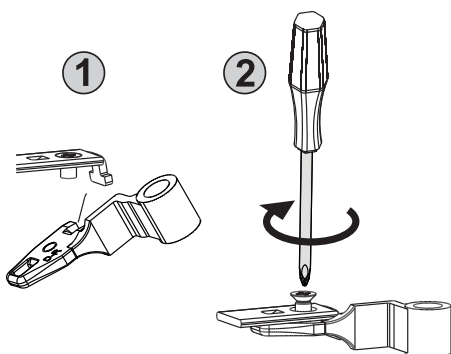
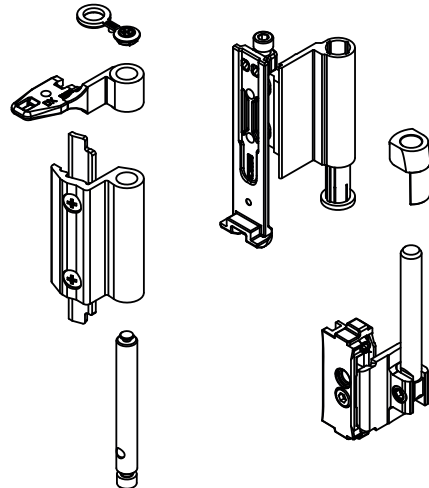


Table of maximum load capacity [kg]

3000																
2900	130	130	130	130	130	130	130	130	130	130	130	130	130	130	130	
2800	130	130	130	130	130	130	130	130	130	130	130	130	130	130	130	130
2700	130	130	130	130	130	130	130	130	130	130	130	130	130	130	130	130
2600	130	130	130	130	130	130	130	130	130	130	130	130	130	130	130	130
2500	130	130	130	130	130	130	130	130	130	130	130	130	130	130	130	130
2400	140	140	140	140	140	140	140	140	140	140	140	140	140	140	140	130
2300	140	140	140	140	140	140	140	140	140	140	140	140	140	140	140	130
2200	140	140	140	140	140	140	140	140	140	140	140	140	140	140	140	130
2100	140	140	140	140	140	140	140	140	140	140	140	140	140	140	140	130
2000	140	140	140	140	140	140	140	140	140	140	140	140	140	140	139	125
1900	140	140	140	140	140	140	140	140	140	140	140	140	140	140	132	118
1800	140	140	140	140	140	140	140	140	140	140	140	140	140	133	125	112
1700	140	140	140	140	140	140	140	140	140	140	134	126	118	111	105	
1600	140	140	140	140	140	140	140	140	140	135	126	118	111	104	99	
1500	140	140	140	140	140	140	140	140	137	127	118	111	104	97		
1400	140	140	140	140	140	140	140	138	127	118	110	104	96			
1300	140	140	140	140	140	140	140	128	118	110	103	96				
1200	140	140	140	140	140	140	129	118	109	101	95					
1100	140	140	140	140	140	130	118	108	100	93						
1000	140	140	140	140	131	118	108	99	91							
900	140	140	140	133	118	106	97	89								
800	140	140	135	118	105	95	86									
700	140	138	118	104	92	83										
600		500	600	700	800	900	1000	1100	1200	1300	1400	1500	1600	1700	1800	

350

Table of maximum load capacity [kg]

3000																
2900	130	130	130	130	130	130	130	130	130	130	130	130	130	130	130	
2800	130	130	130	130	130	130	130	130	130	130	130	130	130	130	130	130
2700	130	130	130	130	130	130	130	130	130	130	130	130	130	130	130	130
2600	130	130	130	130	130	130	130	130	130	130	130	130	130	130	130	130
2500	130	130	130	130	130	130	130	130	130	130	130	130	130	130	130	130
2400	140	140	140	140	140	140	140	140	140	140	140	140	140	140	140	130
2300	140	140	140	140	140	140	140	140	140	140	140	140	140	140	140	130
2200	140	140	140	140	140	140	140	140	140	140	140	140	140	140	140	130
2100	140	140	140	140	140	140	140	140	140	140	140	140	140	140	140	130
2000	140	140	140	140	140	140	140	140	140	140	140	140	140	140	139	125
1900	140	140	140	140	140	140	140	140	140	140	140	140	140	140	132	118
1800	140	140	140	140	140	140	140	140	140	140	140	140	140	133	125	112
1700	140	140	140	140	140	140	140	140	140	140	134	126	118	111	105	
1600	140	140	140	140	140	140	140	140	140	135	126	118	111	104	99	
1500	140	140	140	140	140	140	140	140	137	127	118	111	104	97		
1400	140	140	140	140	140	140	140	138	127	118	110	104	96			
1300	140	140	140	140	140	140	140	128	118	110	103	96				
1200	140	140	140	140	140	140	129	118	109	101	95					
1100	140	140	140	140	140	130	118	108	100	93						
1000	140	140	140	140	131	118	108	99	91							
900	140	140	140	133	118	106	97	89								
800	140	140	135	118	105	95	86									
700	140	138	118	104	92	83										
600		500	600	700	800	900	1000	1100	1200	1300	1400	1500	1600	1700	1800	

350

Item code	Description	PROFILE CROSS - SECTION	Base Raw	Anodised Elox	Painted	Trend/Gold Brass	Pieces per pack
04728	FUTURA 3D 130 SECONDARY SASH ADAPTER	C001-C003	X				10
04711	HINGE T/T FUTURA 130	C001-C002-C003-C005-C006	X		X	X	10