

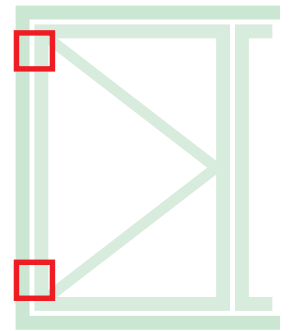
FUTURA 3D 80 ALUMINIUM-WOOD SECONDARY SASH

Functions

Adapter for FUTURA 3D 80 ALUMINIUM WOOD tilt-and-turn secondary sash hinges. The adapter lets you turn the set of tilt-and-turn hinges into hinges for a secondary sash, keeping the same design, adjustments, dimensions and capacities achievable with a main sash.

Materials

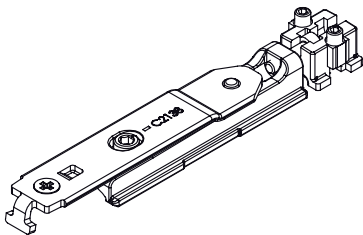
Body of hinges in extruded aluminium and brass.
 Supports in zamak with GS Silver Plus finish (up to 500 hr corrosion resistance).
 Pins, screws and grub screws in stainless steel.



Online data sheet



04728



04709

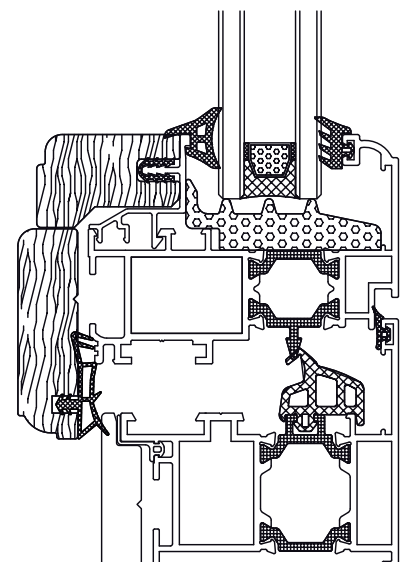
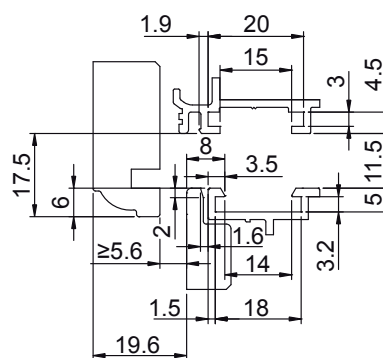
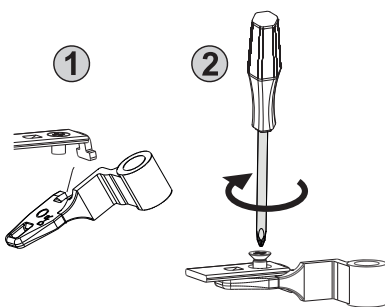
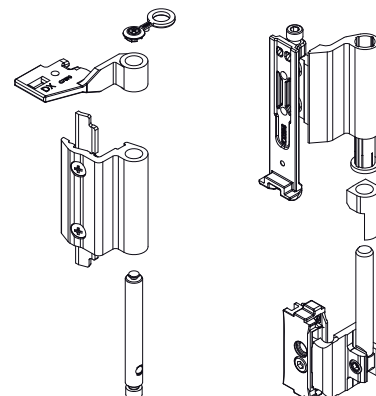


Table of maximum load capacity [kg]

2500	75	75	75	75	75	75	75	75	75	75	75											
2400	80	80	80	80	80	80	80	80	80	80	80	80	80	80	80	80	80	80	80	80	75	
2300	80	80	80	80	80	80	80	80	80	80	80	80	80	80	80	80	80	80	80	80	75	
2200	80	80	80	80	80	80	80	80	80	80	80	80	80	80	80	80	80	80	80	80	75	
2100	80	80	80	80	80	80	80	80	80	80	80	80	80	80	80	80	80	80	80	80	75	
2000	80	80	80	80	80	80	80	80	80	80	80	80	80	80	80	80	80	80	80	80	75	
1900	80	80	80	80	80	80	80	80	80	80	80	80	80	80	80	80	80	80	80	80	75	
1800	80	80	80	80	80	80	80	80	80	80	80	80	80	80	80	80	80	80	80	80	75	
1700	80	80	80	80	80	80	80	80	80	80	80	80	80	80	80	80	80	80	80	80	75	
1600	80	80	80	80	80	80	80	80	80	80	80	80	80	80	80	80	80	80	80	80	75	
1500	80	80	80	80	80	80	80	80	80	80	80	80	80	80	80	80	80	80	80	80	75	
1400	80	80	80	80	80	80	80	80	80	80	80	80	80	80	80	80	80	80	80	75	70	
1300	80	80	80	80	80	80	80	80	80	80	80	80	80	80	80	80	80	80	80	76	70	66
1200	80	80	80	80	80	80	80	80	80	80	80	80	80	80	80	80	80	80	80	76	70	66
1100	80	80	80	80	80	80	80	80	80	80	80	80	80	80	80	80	80	80	80	76	70	66
1000	80	80	80	80	80	80	80	80	80	80	80	80	80	80	80	80	80	80	80	76	70	66
900	80	80	80	80	80	80	80	80	80	80	80	80	80	80	80	80	80	80	80	76	70	66
800	80	80	80	80	80	80	80	80	80	80	80	80	80	80	80	80	80	80	80	76	70	66
700	80	80	80	80	80	80	80	80	80	80	80	80	80	80	80	80	80	80	80	76	70	66
600	80	80	80	80	80	80	80	80	80	80	80	80	80	80	80	80	80	80	80	76	70	66
	390	500	600	700	800	900	1000	1100	1200	1300	1400	1500										

Table of maximum glass thickness [mm]

2500	23	20	17	15	13	12	11	10	9	8	8											
2400	26	22	19	16	15	13	12	11	10	9	8											
2300	27	23	19	17	15	14	12	11	10	10	8											
2200	29	24	20	18	16	14	13	12	11	10	9											
2100	30	25	21	19	17	15	14	12	11	11	9											
2000	31	26	22	20	17	16	14	13	12	11	10											
1900	33	28	24	21	18	17	15	14	13	12	11											
1800	35	29	25	22	19	17	16	15	13	12	11											
1700	37	31	26	23	21	18	17	15	14	13	11											
1600	39	33	28	25	22	20	18	16	15	14	12											
1500	42	35	30	26	23	21	19	17	16	14	12											
1400	45	37	32	28	25	22	20	19	16	14	12											
1300	48	40	34	30	27	24	22	19	16	14	12											
1200	50	44	37	33	29	26	23	19	16	14	12											
1100	50	48	41	36	32	28	23	19	16	14	12											
1000	50	50	45	39	34	28	23	19	16	14	12											
900	50	50	45	39	34	28	23	19	16	14	12											
800	50	50	45	39	34	28	23	19	16	14	12											
700	50	50	45	39	34	28	23	19	16	14	12											
600	50	50	45	39	34	28	23	19	16	14	12											
	390	500	600	700	800	900	1000	1100	1200	1300	1400	1500										

Item code	Description	PROFILE CROSS - SECTION	Base Raw	Anodised Elox	Painted	Trend/Gold Brass	Pieces per pack
04728	FUTURA 3D 130 SECONDARY SASH ADAPTER	C001-C003	X				10
04709	FUTURA ALUMINIUM WOOD T/T HINGE	See quoted section			X	X	10