

AP001 LATERAL

Functions

PUSH-BAR type of panic exit device for surface mounting.

Online data sheet



Technical Features

The lateral version AP001 system consists of:

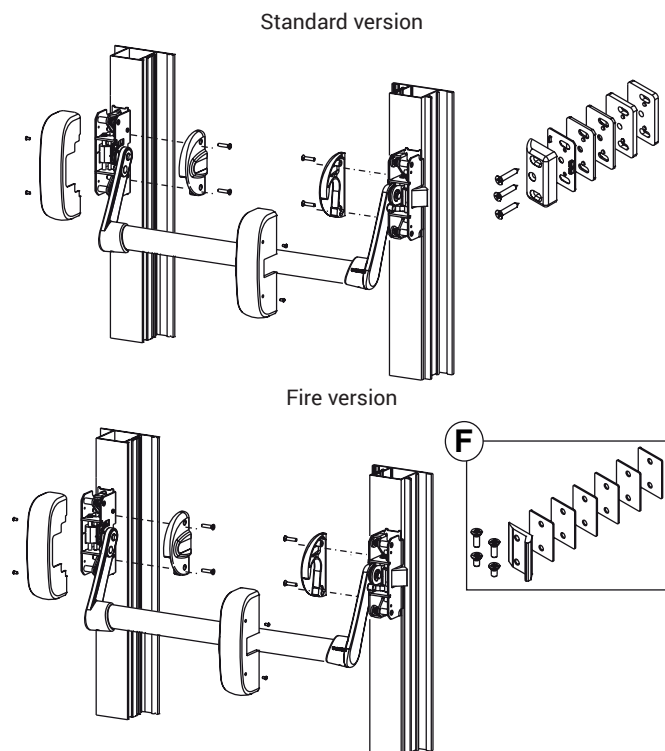
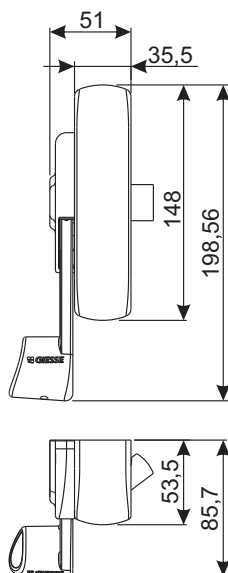
- The main reversible mechanism (A) with a lateral spring latch and the mechanism protection plug
- the shimming plate (B) for the main mechanism
- the secondary reversible mechanism (C) and its mechanism protection plug
- the left and right bracket stop blocks (D)
- the adjustable lateral striker (E) to be installed by the lateral spring latch of the main mechanism and its stackable shims, to be placed under the striker for profiles with different steps (no. 1 shim size 1 mm, no. 2 shims size 2 mm and no. 2 shims size 4 mm)

The version suited for use on fire doors AP001F has a steel lateral striker (F) (instead of zamak as on the standard version) and a set of overlapping shims for use on profiles with different steps.

The lateral AP001 system is to be combined with the additional locking mechanisms.

Materials

- Mechanisms in zinc plated steel
- Painted steel mechanism protection plug
- Brackets and bracket stop blocks in zamak
- Striker in zamak and polyamide shims for AP001 version
- Striker and shims in stainless steel for AP001F version
- Spring latch in stainless steel
- Shimming plate in zinc plated steel
- Grub screws and fixing screws in zinc plated steel



Item code	Description	Striker provided	Base Raw	Anodised Elox	Painted	Trend/Gold Brass	Pieces per pack
07310	PANIC EXIT DEVICE AP001 F LATERAL	stainless steel			X		1
07830N	PANIC EXIT DEVICE AP001 LATERAL	zamak			X		1