

## AP001 MODULAR

### Functions

PUSH-BAR type of panic exit device for surface mounting.

Online data sheet



### Technical Features

The modular version GS AP001 system enables, with a single product, both the lateral system configuration with one locking point and the top/bottom configuration with two or three locking points.

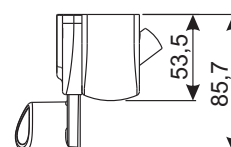
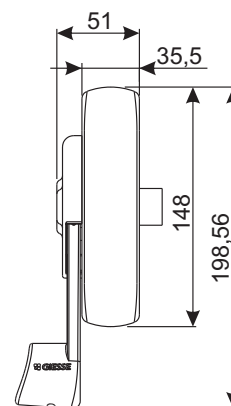
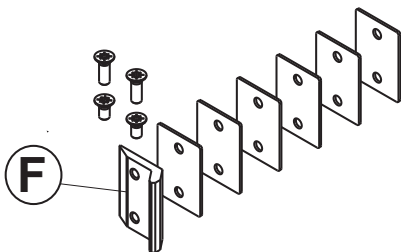
The modular AP001 system can be combined with the additional locking mechanisms and is composed of:

- The main reversible modular mechanism (A) with a lateral spring latch (which can be excluded) that can be combined with the additional locking mechanism kit and the mechanism protection plug
- the shimming plate (B) for the main mechanism
- the secondary reversible mechanism (C) and its mechanism protection plug
- the left and right bracket stop blocks (D)
- the adjustable lateral striker (E) to be installed by the lateral spring latch of the main mechanism and its stackable shims, to be placed under the striker for profiles with different steps (no. 1 shim size 1 mm, no. 2 shims size 2 mm and no. 2 shims size 4 mm)
- the disabling plug of the side spring latch (H)
- the caps for closing the slots of the main mechanism (L)

The version suited for use on fire doors AP001F has a steel lateral striker (F) (instead of zamak as on the standard version) and a set of overlapping shims for use on profiles with different steps

### Materials

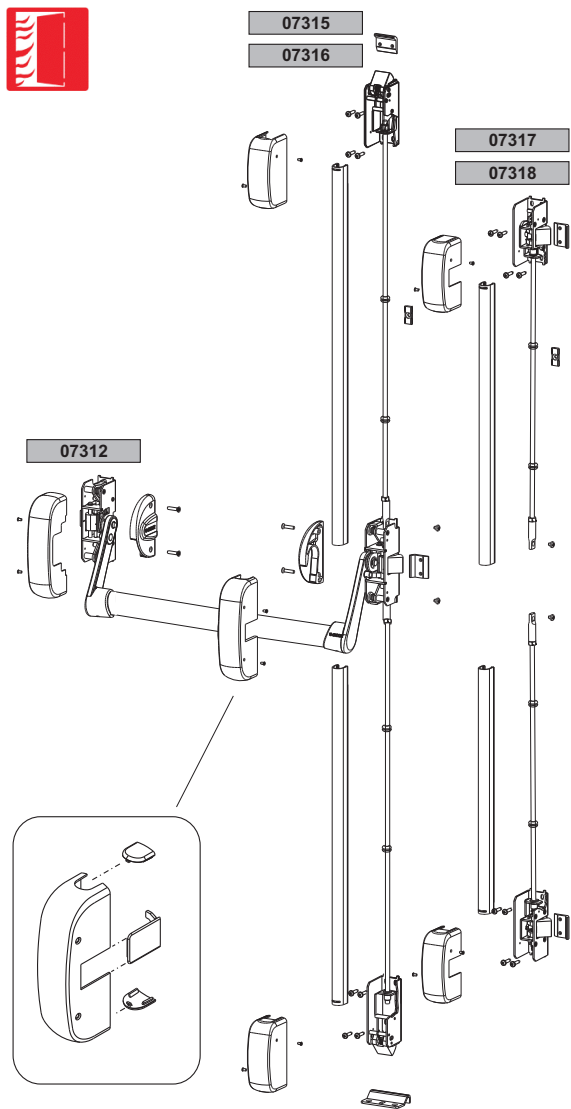
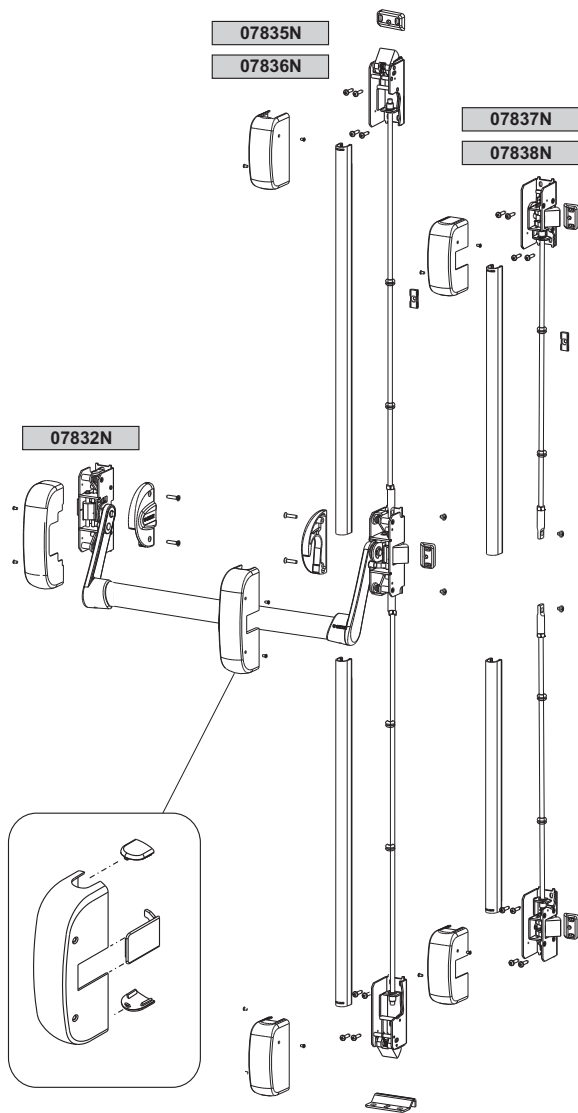
- Mechanisms in zinc plated steel
- Painted steel mechanism protection plug
- Brackets and bracket stop blocks in zamak
- Striker in zamak and polyamide shims for AP001 version
- Striker and shims in stainless steel for AP001F version
- Spring latch in stainless steel
- Shimming plate in zinc plated steel
- Plug for disabling spring latch and slot plugs in polyamide



# PANIC EXIT DEVICE AP001

Standard version

Fire version



Item code	Description	Striker provided	Base Raw	Anodised Elox	Painted	Trend/Gold Brass	Pieces per pack
07312	PANIC EXIT DEVICE AP001 F MODULAR	stainless steel			X		1
07832N	PANIC EXIT DEVICE AP001 MODULAR	zamak			X		1