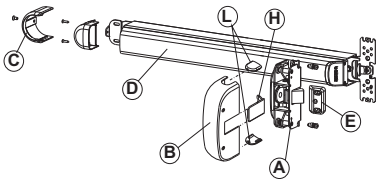


AP002 MODULAR



Functions

TOUCH-BAR type panic exit device for surface mounting.

Online data sheet



Technical Features

The modular version AP002 system enables, with a single article, both the side configuration with one lock point and the top/bottom configuration with two or three lock points.

The modular AP002 system is to be combined with the additional locking mechanisms.

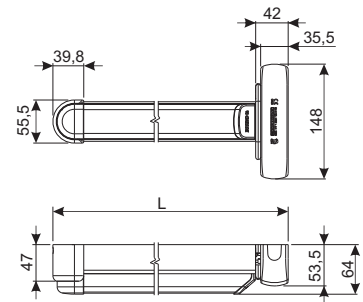
The modular version AP002 system consists of:

- the reversible modular mechanism (A) with a lateral spring latch (which can be excluded) that can be combined with the additional locking mechanism kit and the mechanism protection plug (B)
- the pre-assembled round coupling shim (C)
- the base with push-bar and mechanism (D), with assembled front and rear caps
- the adjustable lateral striker (E) to be installed by the lateral spring latch of the main mechanism and its stackable shims to be placed under the striker for profiles with different steps (no. 1 shim size 1 mm, no. 2 shims size 2 mm and no. 2 shims size 4 mm)
- the disabling plug of the side spring latch (H)
- the caps for closing the slots of the main mechanism (L)

The version suited for use on fire doors AP002F has a steel lateral striker (F) (instead of zamak as on the standard version) and a set of overlapping shims for use on profiles with different steps.

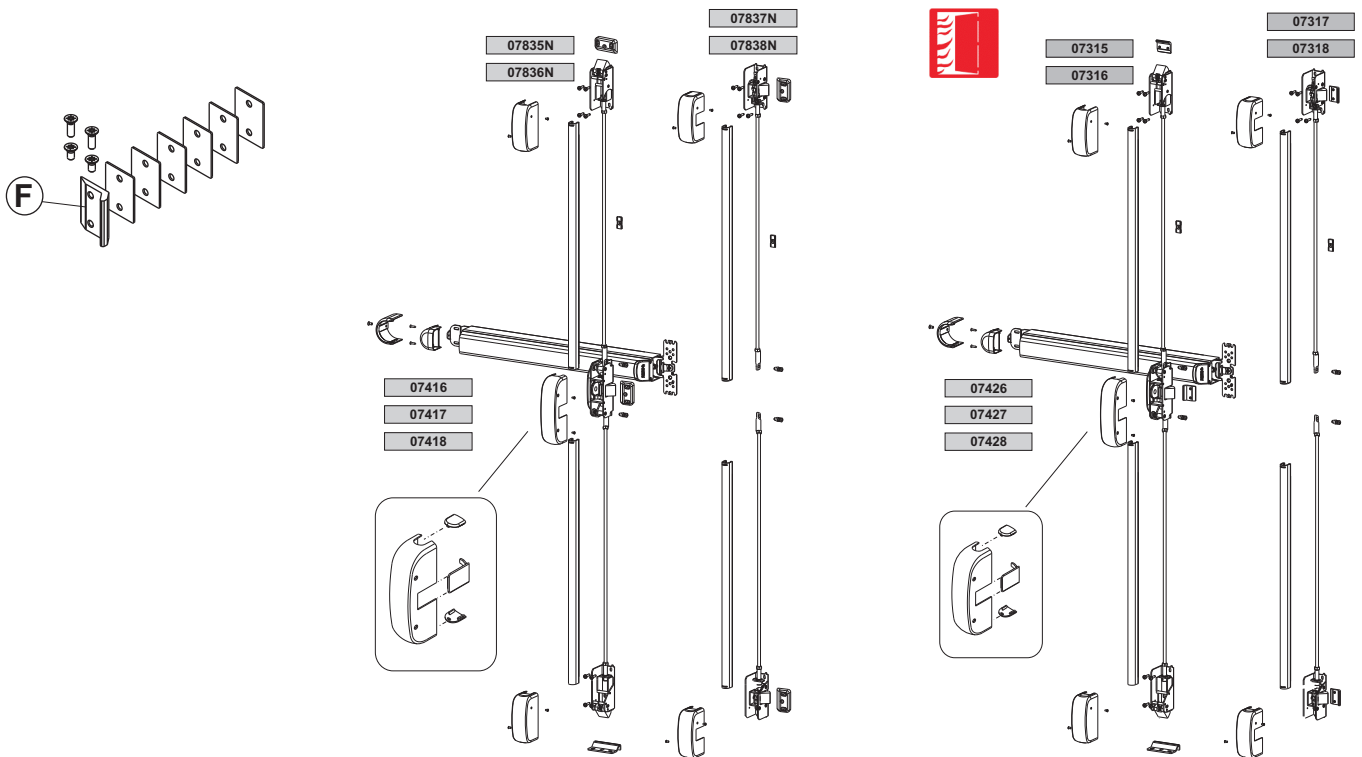
Materials

- Mechanism in zinc plated steel
- Painted steel mechanism protection plug
- Push-bar in extruded aluminium
- Spring latch in stainless steel



Standard version

Fire version



Item code	Description	Version	Bar length L [mm]	Sash width [mm]	Striker provided	Base Raw	Anodised Elox	Painted	Trend/Gold Brass	Pieces per pack
07418	PANIC EXIT DEVICE AP002 MODULAR	LONG	1300	from 1201 to 1500	zamak			X		1
07426	PANIC EXIT DEVICE AP002F MODULAR FIRE-RATED	SHORT	840	up to 1000	stainless steel			X		1
07427	PANIC EXIT DEVICE AP002F MODULAR FIRE-RATED	AVERAGE	1170	from 1001 to 1200	stainless steel			X		1
07428	PANIC EXIT DEVICE AP002F MODULAR FIRE-RATED	LONG	1300	from 1201 to 1500	stainless steel			X		1