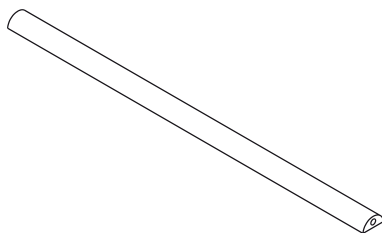


RODS

Functions

Connection rod in view for closing the Provence Cremone.

Online data sheet



Technical Features

They are available in different lengths, to be cut to size on the basis of the position of the Cremone and the dimensions of the sash.

At its ends you are to add the pin for connecting to the Cremone (included with the latter) and the fastening bolt tip, to be ordered separately.

Rod Guide

Additional element to be ordered separately if the casement is particularly large and you want to prevent the risk of the rod flexing.

Recommended for use near the third fastener, if fitted, in order to strengthen it.

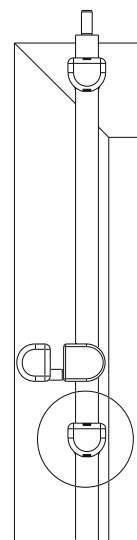
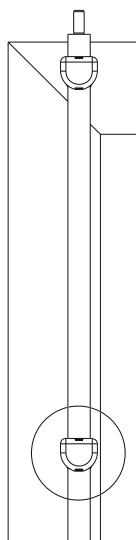
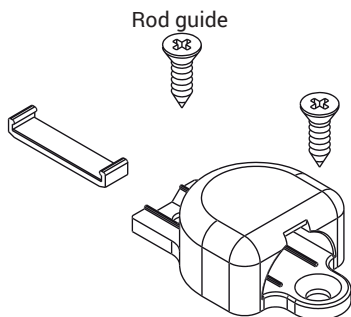
Rod guide in die-cast zamak.

Zinc plated steel screws.

Clearance reduction element made of polyamide.

Materials

Extruded aluminium



Item code	Description	Length	Base Raw	Anodised Elox	Painted	Trend/Gold Brass	Pieces per pack
01297	PROVENCE FASTENING MECHANISM ROD	1600 mm	X		X		10
01298	PROVENCE ROD GUIDE		X		X		10
01300	PROVENCE FASTENING MECHANISM ROD	1000 mm	X		X		10
01304	PROVENCE FASTENING MECHANISM ROD	1250 mm	X		X		10