



CHAMPION PLUS CLOSING RODS 90

Functions

Complete system of multi-lock rods (2 to 3 points) for sliding windows or balcony-doors made of aluminium.

Online data sheet



Technical Features

Available in two versions:

- Backset 15 mm (2 to 3 locking points)
- Backset 15 mm with lock (3 locking points)

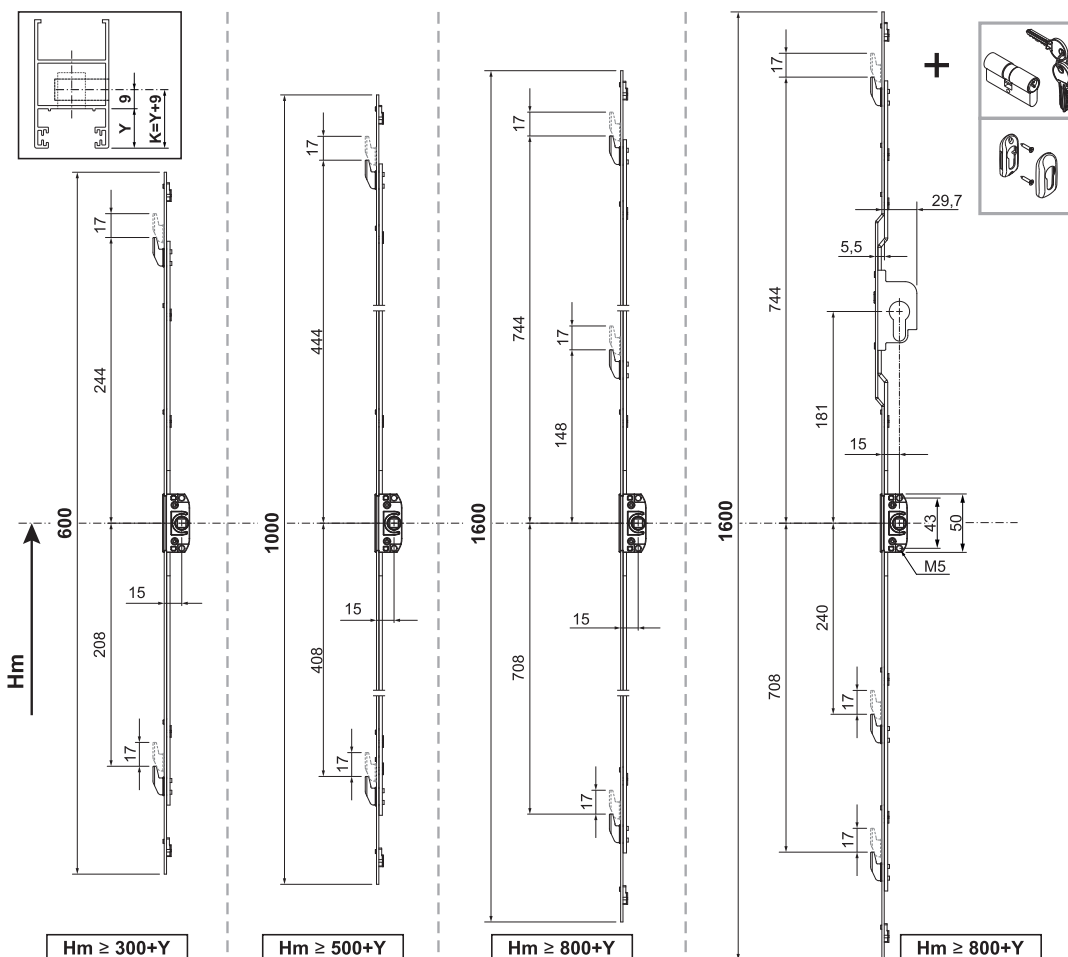
All the rods are operated by traditional window handles or recess handles equipped with a 7 mm square pin.

These multi-locks have 2 operating positions:

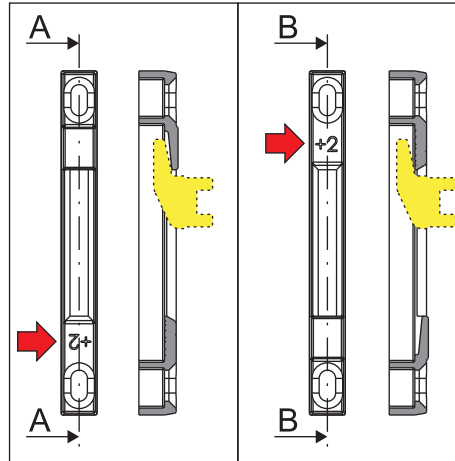
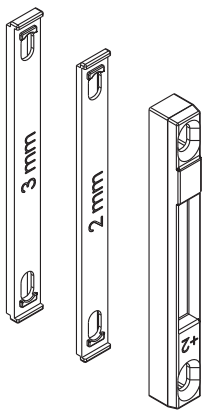
- 1) 0° CLOSED SASH
- 2) 90° OPEN SASH

Materials

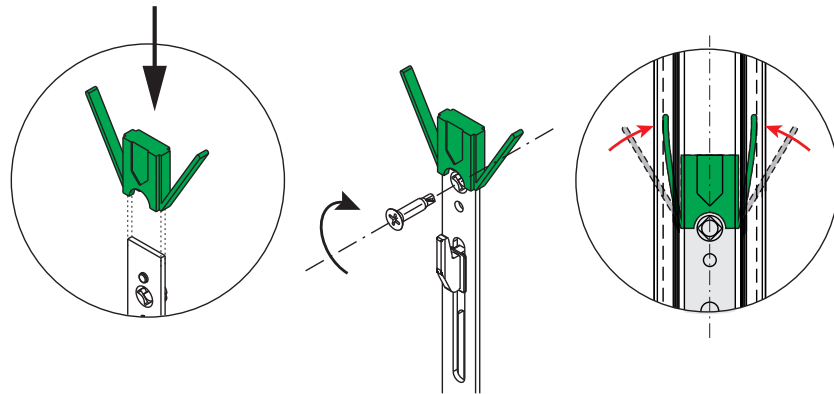
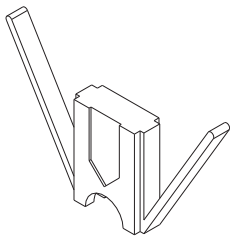
Zinc-plated steel lift-proof pin and rods
Box for rotor and nibs in zamak



06324



06360



Item code	Description	Backset	Lock	Incorrect Movement Safety Device Compatibility	Length	Window handle height	Locking points	Base Raw	Anodised Elox	Painted	Trend/Gold Brass	Pieces per pack
06327	CHAMPION PLUS ROD 90	15	NO	NO	600	≥ 300 + Y	2	X				4
06328	CHAMPION PLUS ROD 90	15	NO	NO	1000	≥ 500 + Y	2	X				4
06329	CHAMPION PLUS ROD 90	15	NO	NO	1600	≥ 800 + Y	3	X				4
06330	CHAMPION PLUS ROD 90	15	YES	NO	1600	≥ 800 + Y	3	X				4

Item code	Description	Note	Base Raw	Anodised Elox	Painted	Trend/Gold Brass	Pieces per pack
06324	CHAMPION PLUS 90 COUNTER-PLATE KIT		X				20
06360	CHAMPION PLUS 90 CENTRING TEMPLATE		X				5