

DRIVING RODS AND LOCKING POINTS GS3000 PLUS



Functions

Driving rods for GS3000 lift and slide system.
They are characterized by the nibs that engage directly on the rod.

Online data sheet



Technical features

Lift and slide casement lock for sashes from 150 to 400 kg (with additional pulleys) to select in accordance with profile width, weight and height of sash. Available in versions with 27.5 mm and 37.5 mm backset.

10 mm square pin.

Available in 6 alternative heights for each version.

Compatible with 150/300 kg pulleys and with window handles with 80 mm fixing c/c distance.

Pre-slotted front plate with up to 5 positions for combination with the locking points.

Cover extension available for all versions of drive gear, to fit to the casement in the hardware slot that the drive gear does not reach.

Allows the construction of sashes up to 3750 mm in height.

Materials

Anodised aluminium front plate

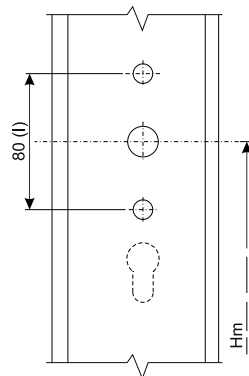
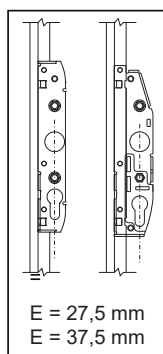
Internal sliding rod in stainless steel

Body of zinc plated steel

Internal parts in zinc plated steel and brass

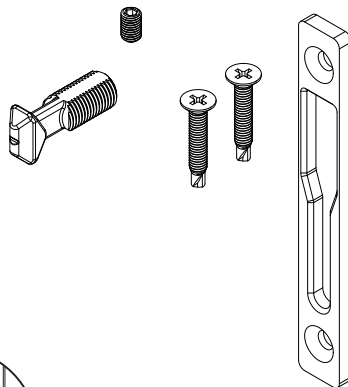
Anodised aluminium extension cover

Machining on profile



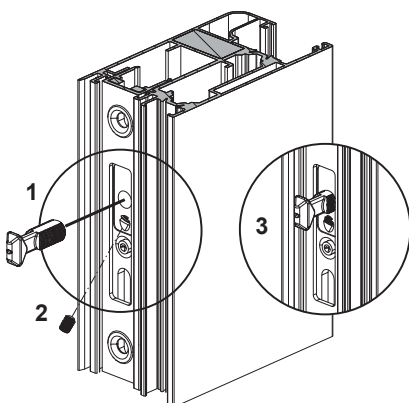
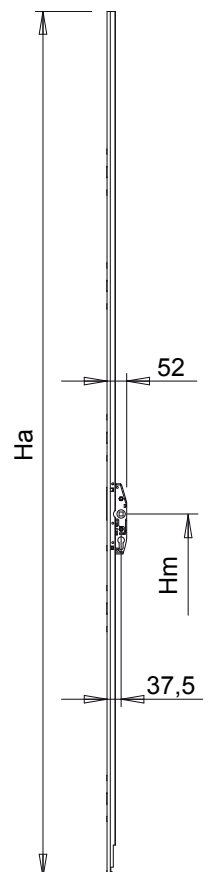
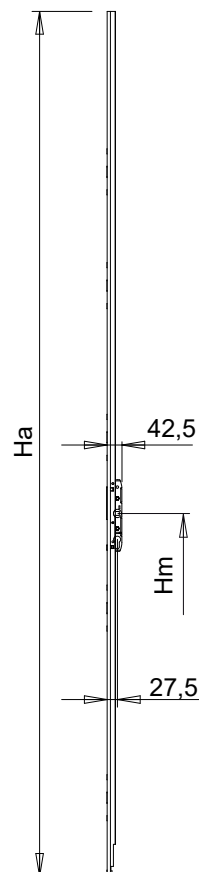
07220

07221



Drive gear with
E = 27.5 mm

Drive gear with
E = 37.5 mm



GS3000 - 300/400 LIFT AND SLIDE

Item code	Description	Backset	Drive gear height (Ha)	Window handle positions (Hm)	Compatible with pulleys	Compatible with window handle C/C distance (l)	Key	Base Raw	Anodised Elox	Painted	Trend/Gold Brass	Pieces per pack
07205	DRIVING ROD KEY GS3000 PLUS	E =37.5 mm	1680 mm	355 mm	300/22 - 150/18 - 150/22	80 mm	YES	X				1
07206	DRIVING ROD KEY GS3000 PLUS	E =37.5 mm	1880 mm	655 mm	300/22 - 150/18 - 150/22	80 mm	YES	X				1
07207	DRIVING ROD KEY GS3000 PLUS	E =37.5 mm	1980 mm	955 mm	300/22 - 150/18 - 150/22	80 mm	YES	X				1
07208	DRIVING ROD KEY GS3000 PLUS	E =37.5 mm	2280 mm	956 mm	300/22 - 150/18 - 150/22	80 mm	YES	X				1
07209	DRIVING ROD KEY GS3000 PLUS	E =37.5 mm	2580 mm	955 mm	300/22 - 150/18 - 150/22	80 mm	YES	X				1
07210	DRIVING ROD KEY GS3000 PLUS	E =37.5 mm	2980 mm	955 mm	300/22 - 150/18 - 150/22	80 mm	YES	X				1
07211	DRIVING ROD KEY GS3000 PLUS	E =27.5 mm	1680 mm	356 mm	300/22 - 150/18 - 150/22	80 mm	YES	X				1
07212	DRIVING ROD KEY GS3000 PLUS	E =27.5 mm	1880 mm	656 mm	300/22 - 150/18 - 150/22	80 mm	YES	X				1
07213	DRIVING ROD KEY GS3000 PLUS	E =27.5 mm	1980 mm	956 mm	300/22 - 150/18 - 150/22	80 mm	YES	X				1
07214	DRIVING ROD KEY GS3000 PLUS	E =27.5 mm	2280 mm	956 mm	300/22 - 150/18 - 150/22	80 mm	YES	X				1
07215	DRIVING ROD KEY GS3000 PLUS	E =27.5 mm	2580 mm	956 mm	300/22 - 150/18 - 150/22	80 mm	YES	X				1
07216	DRIVING ROD KEY GS3000 PLUS	E =27.5 mm	2980 mm	956 mm	300/22 - 150/18 - 150/22	80 mm	YES	X				1

Item code	Description	Range	Base Raw	Anodised Elox	Painted	Trend/Gold Brass	Pieces per pack
07220	NIB GS 3000 PLUS	13 - 25 mm	X				10
07221	COUNTERPLATE GS 3000 PLUS	-	X				10



DRIVING RODS AND LOCKING POINTS GS3000 PLUS

Functions

Driving rods for GS3000 lift and slide system.
They are characterized by the nibs that engage directly on the rod.

Online data sheet



Technical features

Lift and slide casement lock for sashes from 150 to 400 kg (with additional pulleys) to select in accordance with profile width, weight and height of sash. Available in versions with 27.5 mm and 37.5 mm backset.

10 mm square pin.

Available in 6 alternative heights for each version.

Compatible with 150/300 kg pulleys and with window handles with 80 mm fixing c/c distance.

Pre-slotted front plate with up to 5 positions for combination with the locking points.

Cover extension available for all versions of drive gear, to fit to the casement in the hardware slot that the drive gear does not reach.

Allows the construction of sashes up to 3750 mm in height.

Materials

Anodised aluminium front plate

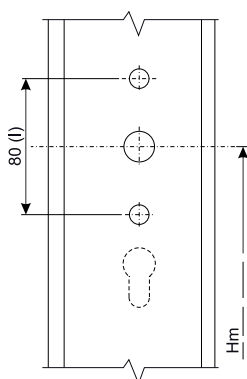
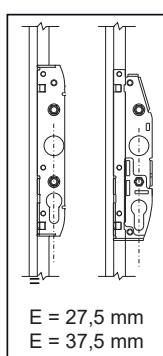
Internal sliding rod in stainless steel

Body of zinc plated steel

Internal parts in zinc plated steel and brass

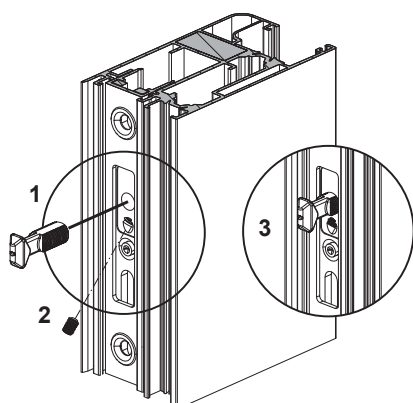
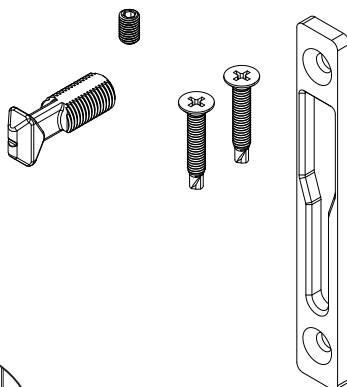
Anodised aluminium extension cover

Machining on profile



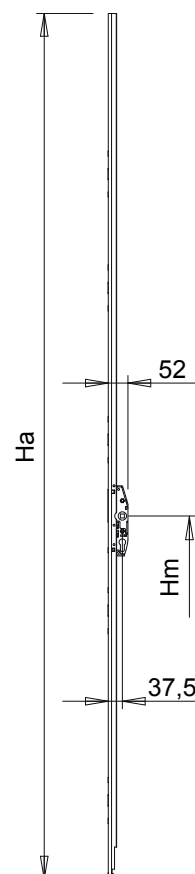
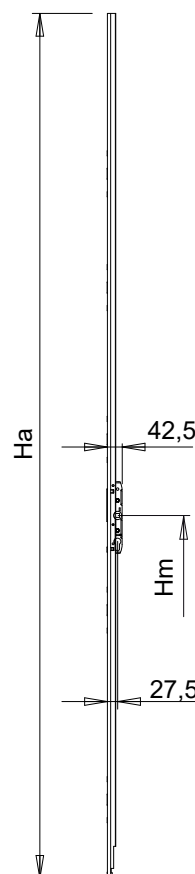
07220

07221



Drive gear with
E = 27.5 mm

Drive gear with
E = 37.5 mm



GS3000 - 150 LIFT AND SLIDE SYSTEM

Item code	Description	Backset	Drive gear height (Ha)	Window handle positions (Hm)	Compatible with pulleys	Compatible with window handle C/C distance (l)	Key	Base Raw	Anodised Elox	Painted	Trend/Gold Brass	Pieces per pack
07205	DRIVING ROD KEY GS3000 PLUS	E =37.5 mm	1680 mm	355 mm	300/22 - 150/18 - 150/22	80 mm	YES	X				1
07206	DRIVING ROD KEY GS3000 PLUS	E =37.5 mm	1880 mm	655 mm	300/22 - 150/18 - 150/22	80 mm	YES	X				1
07207	DRIVING ROD KEY GS3000 PLUS	E =37.5 mm	1980 mm	955 mm	300/22 - 150/18 - 150/22	80 mm	YES	X				1
07208	DRIVING ROD KEY GS3000 PLUS	E =37.5 mm	2280 mm	956 mm	300/22 - 150/18 - 150/22	80 mm	YES	X				1
07209	DRIVING ROD KEY GS3000 PLUS	E =37.5 mm	2580 mm	955 mm	300/22 - 150/18 - 150/22	80 mm	YES	X				1
07210	DRIVING ROD KEY GS3000 PLUS	E =37.5 mm	2980 mm	955 mm	300/22 - 150/18 - 150/22	80 mm	YES	X				1
07211	DRIVING ROD KEY GS3000 PLUS	E =27.5 mm	1680 mm	356 mm	300/22 - 150/18 - 150/22	80 mm	YES	X				1
07212	DRIVING ROD KEY GS3000 PLUS	E =27.5 mm	1880 mm	656 mm	300/22 - 150/18 - 150/22	80 mm	YES	X				1
07213	DRIVING ROD KEY GS3000 PLUS	E =27.5 mm	1980 mm	956 mm	300/22 - 150/18 - 150/22	80 mm	YES	X				1
07214	DRIVING ROD KEY GS3000 PLUS	E =27.5 mm	2280 mm	956 mm	300/22 - 150/18 - 150/22	80 mm	YES	X				1
07215	DRIVING ROD KEY GS3000 PLUS	E =27.5 mm	2580 mm	956 mm	300/22 - 150/18 - 150/22	80 mm	YES	X				1
07216	DRIVING ROD KEY GS3000 PLUS	E =27.5 mm	2980 mm	956 mm	300/22 - 150/18 - 150/22	80 mm	YES	X				1

Item code	Description	Range	Base Raw	Anodised Elox	Painted	Trend/Gold Brass	Pieces per pack
07220	NIB GS 3000 PLUS	13 - 25 mm	X				10
07221	COUNTERPLATE GS 3000 PLUS	-	X				10