



PUSH-BARS

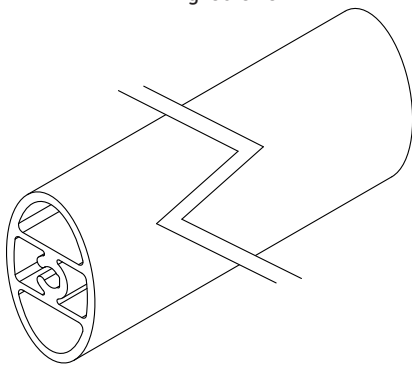
Functions

Push-bar (the same one used for panic exit devices).
It connects the CW handles.
Available in various lengths.

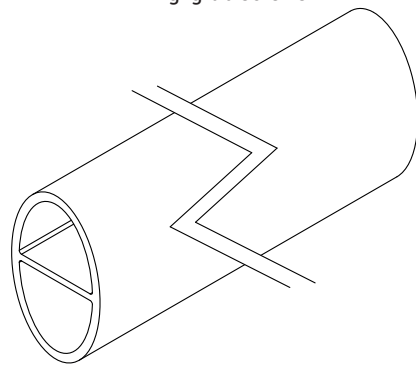
Materials

Painted extruded aluminium bar

Fixing: screws



Fixing: grub screws



Item code	Description	Type of Fixing	Length	Base Raw	Anodised Elbox	Painted	Trend/Gold Brass	Pieces per pack
04157	BAR	Screws	1200 mm			X		1
04158	BAR	Screws	1800 mm			X		1
07843	BAR	Grub screws	950 mm			X		1
07844	BAR	Grub screws	1150 mm			X		1
07845	BAR	Grub screws	1450 mm			X		1