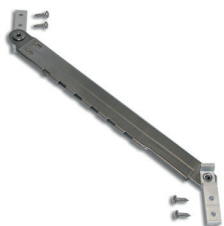


## LASER ARMS



### Functions

Pair of telescopic arms (one right and one left) able to limit the opening of a top hung window in different positions.

Online data sheet



### Technical Features

These limitation arms are suitable for top-hung windows.

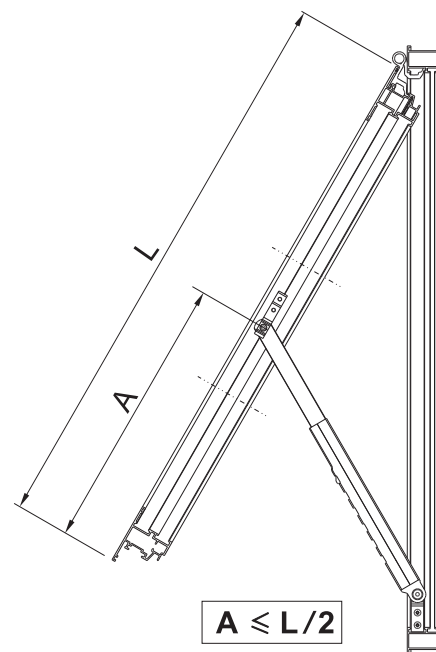
The Arm is telescopic with 5 clicks (except for art. 01951 that only has 1) that give 5 different window opening positions.

The window is closed by pushing it in the maximum opening position.

The use of these items is intended on top hung windows as they cannot be released and, therefore, with side hung windows, the sash would not be openable to 90° for cleaning.

On request it is possible to have Laser Arms with a lower number of catches (with the same length) and for this we invite you to contact our Giesse Customer Service.

For the details, please see also the table below.



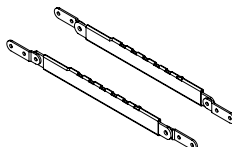
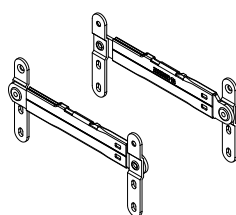
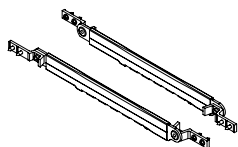
Art. 01950

Art. 01951

Art. 01959

Art. 01956

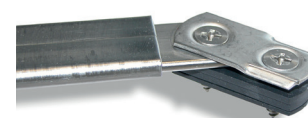
Art. 01960



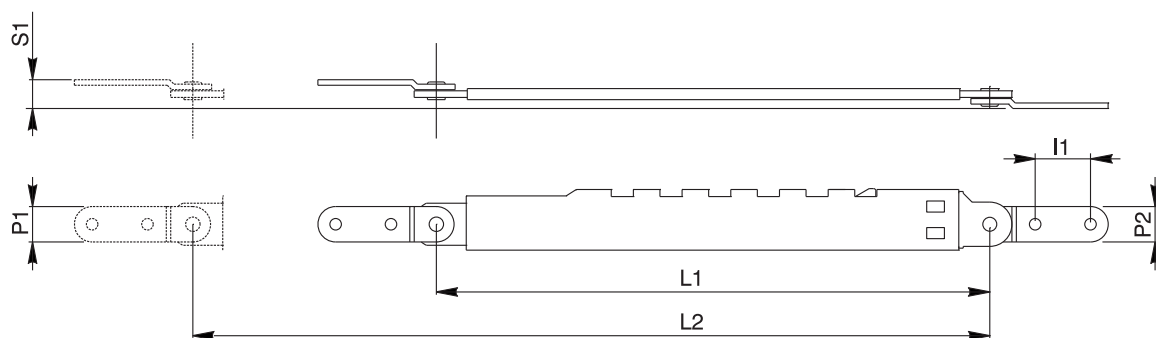
Part art. 01950, 01952, 01954, 01955

Part art. 01956

Part art. 01960, 01961



## ARMS FOR CURTAIN WALL-TOP HUNG-SIDE HUNG WINDOWS



| Item code | Description   | Permitted type of opening | Applicable in combination with | PROFILE CROSS-SECTION                   | N positions | Material         | Type of Fixing       | P1   | P2   | L1  | L2  | I1   | S1   | Base Raw | Items per pack |
|-----------|---------------|---------------------------|--------------------------------|---|-------------|------------------|----------------------|------|------|-----|-----|------|------|----------|----------------|
| 01950     | LASER ARM     | Top                       | hinges                         | C005                                    | 5           | AISI 304         | Self-threading       | 14,8 | 11,8 | 250 | 360 | 15   | 28   | X        | 10             |
| 01951     | LASER ARM     | Top                       | universal                      | see Where Used                          | 1           | AISI 316         | Self-threading       | 16   | 16   | 155 | 186 | 20,5 | 13,5 | X        | 6              |
| 01952     | LASER ARM     | Top                       | hinges                         | C001-C015                               | 5           | AISI 304         | Self-threading       | 15   | 15   | 250 | 360 | 15   | 34   | X        | 10             |
| 01954     | LASER ARM     | Top                       | hinges                         | C001-C002-C009-C010-C013-C015-C016-C017 | 5           | AISI 304         | Self-threading       | 13,4 | 13,4 | 250 | 360 | 15   | 23   | X        | 10             |
| 01955     | LASER ARM     | Top                       | hinges                         | C001-C002-C009-C010-C013-C017           | 5           | Galvanized steel | Self-threading       | 13,4 | 13,4 | 250 | 360 | 15   | 23   | X        | 10             |
| 01956     | LASER ARM     | Top                       | hinges                         | C007-C008                               | 5           | AISI 304         | Contrast grub-screws | -    | -    | 250 | 360 | -    | 24   | X        | 10             |
| 01959     | LASER ARM - Q | Top                       | universal                      | Without channels                        | 5           | AISI 304         | Self-threading       | 16   | 16   | 250 | 360 | 23   | 13   | X        | 6              |
| 01960     | LASER ARM     | Top                       | universal                      | Without channels                        | 5           | AISI 304         | Self-threading       | 16   | 16   | 250 | 360 | 20   | 16,5 | X        | 10             |
| 01961     | LASER ARM     | Top                       | universal                      | Without channels                        | 5           | Galvanized steel | Self-threading       | 16   | 16   | 250 | 360 | 20   | 16,5 | X        | 10             |