

## CHIC LIMITATION ARM

### Functions

Accessory utilised to limit opening of the sash when movement of the sash is restricted by obstacles such as uprights or walls.

In the case of FLUSH CHIC it is essential to avoid damage to the hinge since the maximum opening allowed is 105°.

### Technical Features

Sliding plate friction adjustable by means of suitable screw.

Applicable on tilt-and-turn window sashes with a minimum width of 485 mm.

Equipped with a spring-loaded manual quick release.

Stop plate fitted with two grub screws to prevent slippage.

### Materials

Rod and stop plate made of pre-oxidised extruded aluminium.

Black polyamide frictioning element.

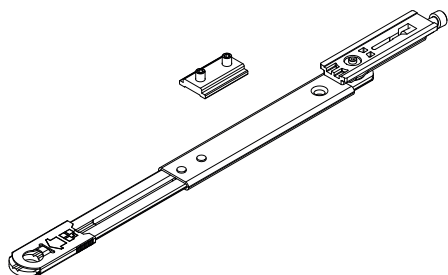
Pins, grub screws, spring and release in stainless steel.



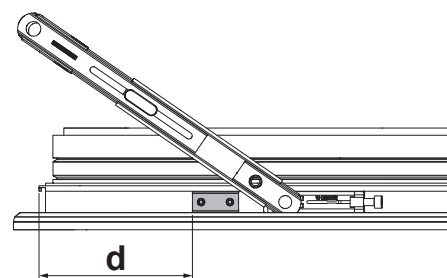
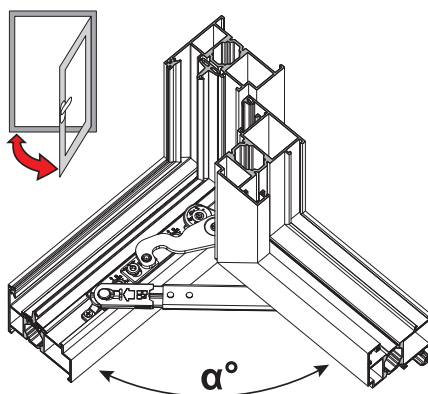
Online data sheet



05293



d (mm)	$\alpha^\circ$
102	105°
127	90°
>127	<90°
<b><math>\alpha^\circ</math> MAX 105</b>	



Item code	Description	Interface type	Base Raw	Anodised Elox	Painted	Trend/Gold Brass	Pieces per pack
05293	CHIC - LIMITATION ARM	C013-C014-C015-C016-C017	X				10