

LIMITATION ARMS TYPE I



Functions

Pair of reversible limitation arms able to limit the opening of a top hung window.

Online data sheet



Technical Features

Type-I limitation arms are suitable for top-hung windows. These arms work in combination with GS HD arms type A and P and can be frictioned by turning the knob on the slider. Giesse has tested these limitation arms and obtained a pull resistance greater than 200 kg/pair.

Note: You are advised to use these products only with top hung windows as they are fixed to the profile with self-threading screws and cannot be released and, therefore, with side hung windows, the sash would not be openable to 90° for cleaning.

Applicability

Type-I limitation arms are applicable to sets of profiles with a stack (sash/frame distance) from 15 to 18 mm.

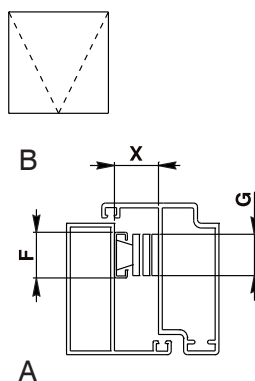
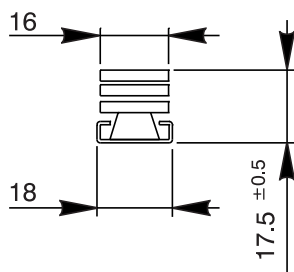
Materials

AISI 304 stainless steel limitation arm
Slider in polyamide and brass

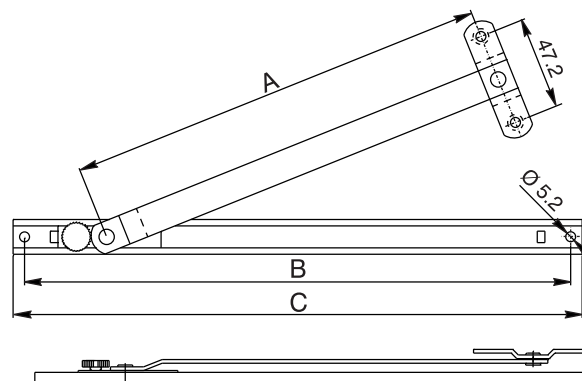
Packaging

6 pairs per pack

Top Hung (A: internal, B: external)



X= 15 mm ÷ 18 mm
F= 18 mm
G= 16 mm



Item code	Description	Permitted type of opening	Bag width	Applicable in combination with Top Hung arms	A	B	C	Base Raw	Items per pack
08123	Pair of limitation arms - 8,5" type I	Top	18	Type A - Type P	140	205	217	X	6
08124	Pair of limitation arms - 10,5" type I	Top	18	Type A - Type P	191	256	268	X	6
08177	Pair of limitation arms - 12" type I	Top	18	Type A - Type P	221	286	298	X	6
08178	Pair of limitation arms - 14" type I	Top	18	Type A - Type P	267	332	244	X	6
08179	Pair of limitation arms - 16" type I	Top	18	Type A - Type P	318	388	400	X	6
08183	Pair of limitation arms - 18" type I	Top	18	Type A - Type P	365	435	447	X	6