

## LIMITATION ARMS TYPE L



### Functions

Pair of telescopic arms (one right and one left) able to limit the opening of a top hung window in one position.

Online data sheet



### Technical Features

Type-L limitation arms are suitable for top-hung windows. These arms work in combination with GS HD arms type A and P.

Type-L limitation arms have an opening notch; they can be locked in this position by means of a lever, to prevent the sash from closing. In this way the sash will remain locked until the user puts the lever back to the open position. Giesse has tested these limitation arms and obtained a pull resistance greater than 200 kg/pair.

Note: You are advised to use these products only with top hung windows as they are fixed to the profile with self-threading screws and cannot be released and, therefore, with side hung windows, the sash would not be openable to 90° for cleaning.

### Applicability

Type-L limitation arms are applicable to sets of profiles with a stack (sash/frame distance) of from 15 to 17.5 mm.

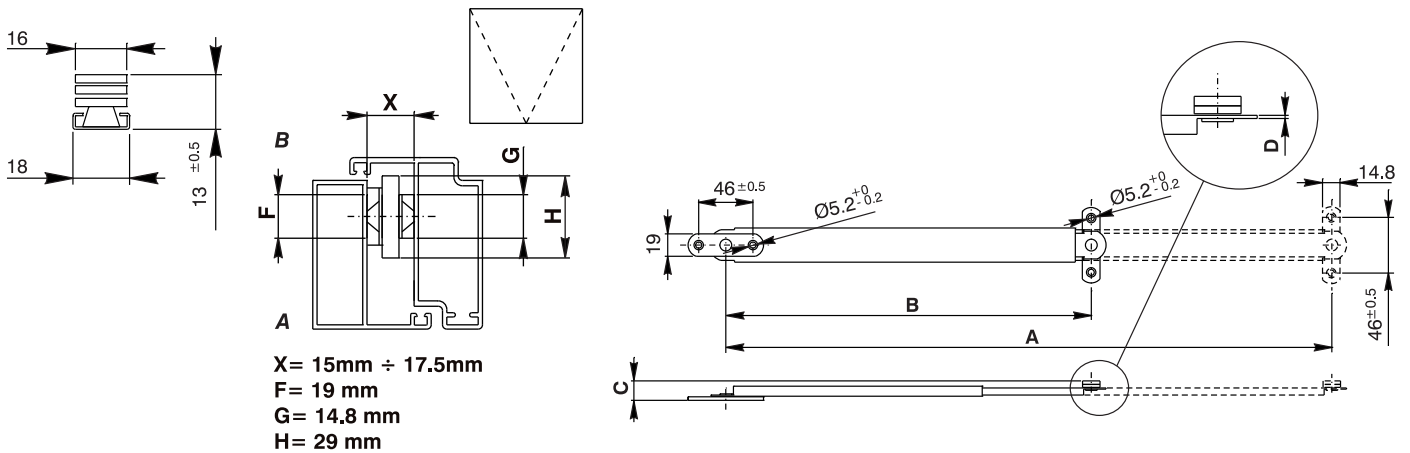
### Materials

AISI 304 stainless steel limitation arm

### Packaging

6 pairs per pack

Top Hung (A: internal, B: external)



Item code	Description	Permitted type of opening	Applicable in combination with Top Hung arms	no. of notches	A	B	C	D	Base Raw	Items per pack
08184	Pair of limitation arms (RH/LH) - 8" type L	Top	Type A - Type P	1	205	155	16,5	1,2	X	6
08185	Pair of limitation arms (RH/LH) - 10" type L	Top	Type A - Type P	1	255	180	16,5	1,2	X	6
08186	Pair of limitation arms (RH/LH) - 12" type L	Top	Type A - Type P	1	305	205	16,5	1,2	X	6
08187	Pair of limitation arms (RH/LH) - 14" type L	Top	Type A - Type P	1	355	230	16,5	1,2	X	6
08188	Pair of limitation arms (RH/LH) - 16" type L	Top	Type A - Type P	1	406	257	16,5	1,2	X	6
08189	Pair of limitation arms (RH/LH) - 20" type L	Top	Type A - Type P	1	515	310	16,5	1,2	X	6