

## LIMITATION ARMS TYPE N



### Functions

Pair of reversible limitation arms able to limit the opening of a top hung window.

Online data sheet



### Technical Features

"Type-N" limitation arms are suitable for top-hung windows. These arms work in combination with GS HD arms type M and can be frictioned by turning the grub screw on the slider. Giesse has tested these limitation arms and obtained a pull resistance greater than 200 kg/pair. The use of these items is intended only on top hung windows as they are fixed to the profile with self-threading screws and cannot be released and, therefore, with side hung windows, the sash would not be openable to 90° for cleaning.

### Applicability

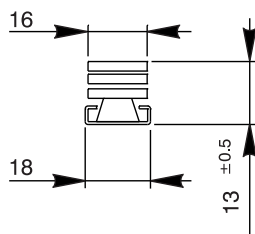
Type-N limitation arms are applicable to sets of profiles with a stack (sash/frame distance) from 15 to 18 mm.

### Materials

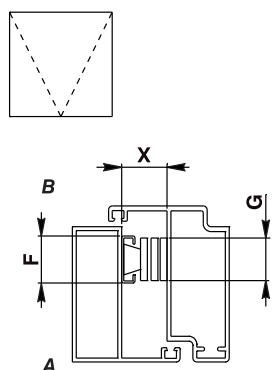
AISI 304 stainless steel limitation arm  
Slider in polyamide and brass.

### Packaging

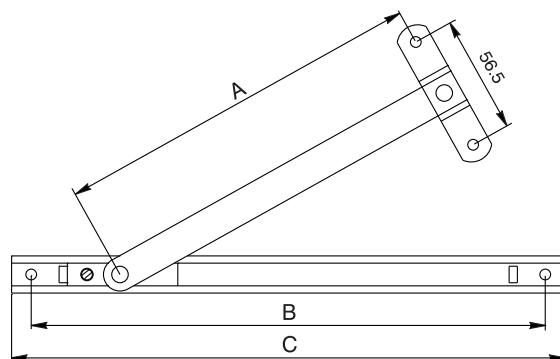
6 pairs per pack



Top Hung (A: internal, B: external)



X= 13 mm ÷ 16mm  
F= 18 mm  
G= 16 mm



Item code	Description	Permitted type of opening	Bag width	Applicable in combination with Top Hung arms	A	B	C	Base Rail	Items per pack
08199	Pair of limitation arms - 10,5" type N	Top	23	Type M	180	249	268	X	6
08200	Pair of limitation arms - 16" type N	Top	23	Type M	314	381	400	X	6