

PROJECTING CLOSING AND LIMITATION ARMS

Functions

The Ombu Arm closes and locks open a top-hung window.

Online data sheet



Technical Features

The Ombu Arm is a sturdy, easy to install product that ensures excellent closing for top-hung windows.

With the window closed the Ombu Arm folds back 90° horizontally so that the space it takes up in the room is practically none.

There are 2 different Ombu arm lengths: (see table)

The Ombu Arm can be installed on stepped profiles from 0mm (flush) up to 20 mm, thanks to the adjustment of the plate for fixing to the frame.

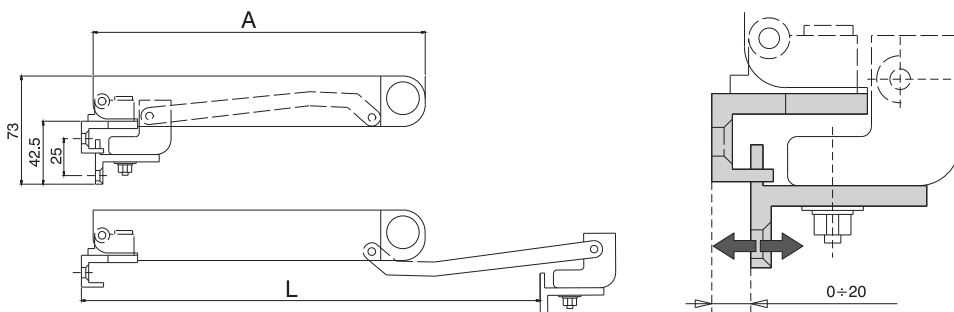
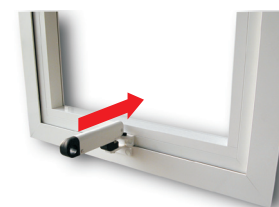
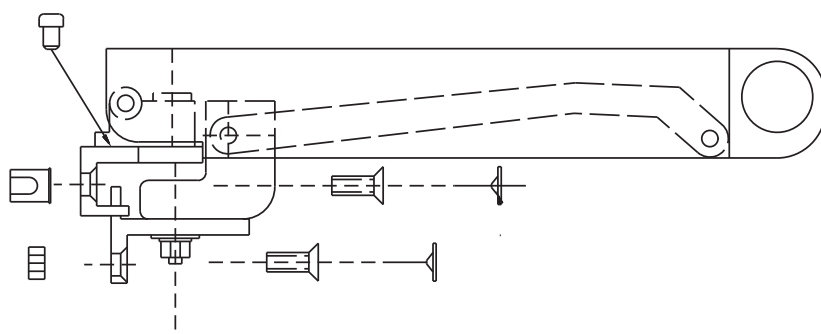
The arm can be used on casements with an top-hung opening, in combination with hinges or self-balancing arms, depending both on the weight and size and on the type of use and environment in which it will be moved.

Materials

Steel arm

Black polyamide lever

Zamak frame and sash fixing components



Item code	Description	Length (A)	Opening (L)	Minimum sash width	Base Raw	Anodised Elox	Painted	Trend/Gold Brass	Pieces per pack
00889N	OMBU Arm For Awning	160	172	> = 320			X		10
00890N	OMBU Arm For Awning	224	300	> = 450			X		10