

GS990 ARMS

Functions

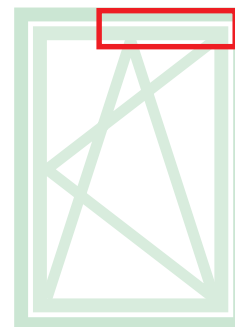
Complete system for the construction of GS990 tilt-and-turn windows

Technical Features

Mechanisms including hinges and hardware: available in various finishes. The hinges are supplied completely pre-assembled and ready to be installed on the profile, the hardware consists of ready-assembled accessories that make installation easy and instant

Materials

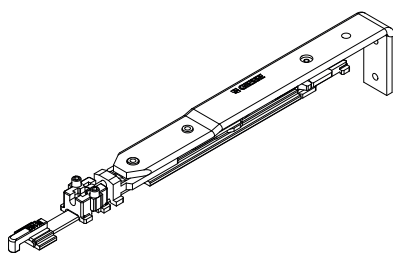
Body, fixing block and slider in zamak, mechanism rod in aluminium.
Arm rod, connecting bracket, grub screws and screws in stainless steel.
Stop disk in polyamide.



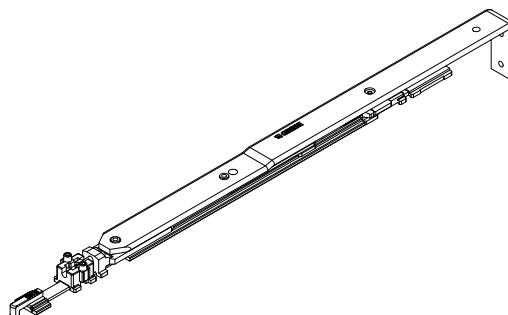
Online data sheet



ARM T1 GS990



ARM T2 GS990



Item code	Description	PROFILE CROSS - SECTION	Range (mm)	Base Raw	Anodised Elox	Painted	Trend/Gold Brass	Pieces per pack
0421101	ARM T1 GS990	C010-C011	W 370 ÷ 535	X				5
0421701	ARM T1 GS990	C009	W 375 ÷ 540	X				5
0422101	ARM T1 GS990	C010-C011	W 536 ÷ 1700	X				5
0422301	ARM T2 GS990	C010-C011	W 536 ÷ 1700	X				5
0422701	ARM T2 GS990	C009	W 541 ÷ 1700	X				5