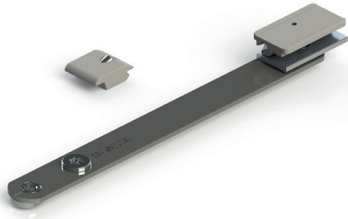


OS OPERATOR ARMS



Functions

The arm for OS Operator performs the function of pushing the sash from the "sash closed" position to the "fully open" position and vice versa.

Online data sheet



Technical Features

Available in two lengths (172 mm and 152 mm), The arm is attached to an OS Operator mechanism using the screw with security head Torx T30 (A).

The slider, available in both polyamide and aluminium, runs in the 15/20 mm channel on the mobile sash. A polyamide stop component provides the limit stop position.

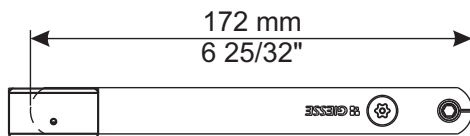
You can, with the aid of the eccentric pin (B), using a T30 torx wrench, adjust the position of the slider and then obtain the optimal position for the sash during the phase of activating the locking points.

Materials

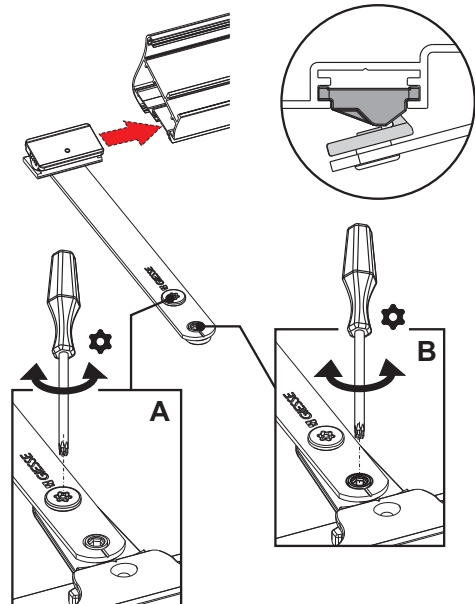
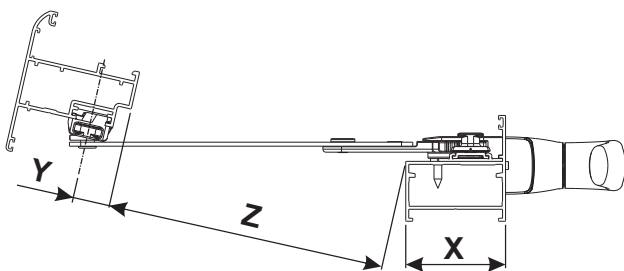
Arm in stainless steel 304

Slider in extruded aluminium or grey polyamide

Grey polyamide stop



Z = Distance between the profiles (see table)



Item code	Description	Length	Slider material	Stack between profiles Z	Base Raw	Anodised Elox	Painted	Trend/Gold Brass	Pieces per pack
02064	ALUMINIUM OS OPERATOR ARM	172 mm	Aluminium	210 mm - X - Y	X				10
02065	ALUMINIUM OS OPERATOR ARM	152 mm	Aluminium	190 mm - X - Y	X				10