



RALLENTY ARMS

Functions

The arm delimits the opening of a bottom-hung aluminium window slowing its stroke in the stopping phase.

The arm is available in two versions: long 250 mm and short 150 mm.

Online data sheet



Technical Features

The Rallenty arm slows down the opening of the sash at the limit stop avoiding an annoying and disturbing bang on stopping (Giesse patented system). Rallenty is fixed completely by clamping, with a single Allen key size 2.5mm, without any machining or holes in the profile.

Installation is done only after completely assembling the casement, without inserting plates or anything else in advance in the channels.

Consequently, it is applied, without any operations, even on existing casements.

Rallenty is released easily from the operable sash side simply with a lever.

The release is so extremely handy as to help when tilting and turning the sash for cleaning the glass from the outside.

With Rallenty the bottom-hung window can be produced without cutting the channels.

The window maker thus avoids standard machining, done as a rule for each sash, reducing the time and therefore the cost of production.

All the materials with which the Rallenty arms are produced are corrosion resistant.

Each item refers to a pair of arms for which we identify the right (RH) and left (LH) for correct application.

Materials

Stainless steel arm

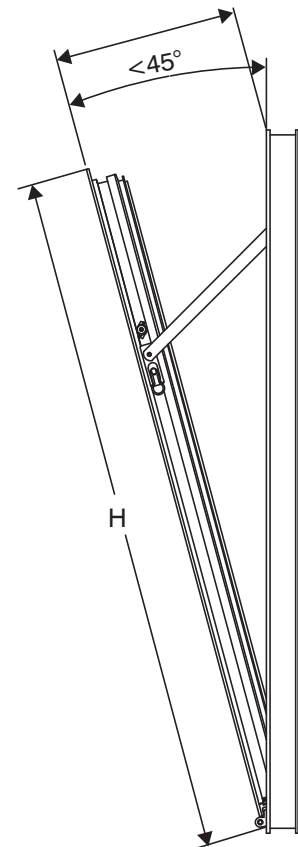
Stainless steel spring lever

Pins, washers and grub screw in stainless steel

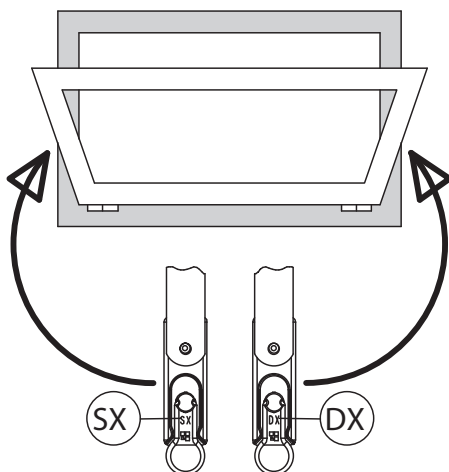
Cams made of GS Silver Plus zamak

Fibreglass reinforced polyamide slider

H= 350÷2000 mm



RH = right
LH = left



Item code	Description	PROFILE CROSS - SECTION	Length (mm)	Load capacity (kg)	Base Raw	Items per pack
02040K	RALLENTY LONG ARM 250 mm	C001-C002-C003-C004-C005-C006-C011-C012-C013-C014-C015-C016-C017	250	80	X	10
02041K	RALLENTY SHORT ARM 150 mm	C001-C002-C003-C004-C005-C006-C011-C012-C013-C014-C015-C016-C017	150	50	X	10
02042K	RALLENTY LONG ARM 250 mm	C007	250	70	X	10
02043K	RALLENTY SHORT ARM 150 mm	C007	150	50	X	10
0204401	RALLENTY LONG ARM 250 mm	C008	250	70	X	10
0204501	RALLENTY SHORT ARM 150 mm	C008	150	50	X	10
0204601	RALLENTY LONG ARM 250 mm	C009	250	70	X	10
0204701	RALLENTY SHORT ARM 150 mm	C009	150	50	X	10