

GS HD ARMS TYPE C



Functions

Pair of self-balancing arms (one right and one left) able to bear the weight of an outward opening side-hung window and hold it in the open position.

Online data sheet



Technical Features

Type-C GS HD arms are suitable for medium size/weight outward opening side hung windows (see table).

Since the upper part of the arm is asymmetrical, within the pair of arms we will have a right and a left; this asymmetrical geometry of the arm improves the return and closing of the sash.

The window opening can also be frictioned by turning the grub screw on the slider.

The EGRESS articles ensure a wider passageway with the sash open, increasing the space for egress, compared to a normal arm type C. These articles do not allow cleaning the glass on the outside.

Art. LOOSE RIVET requires a minimum force for opening and closing the sash.

Art. EASY CLEAN integrates the EGRESS function with the possibility of cleaning the window also on the outside, as it is possible, from time to time, to move the sash sideways and create an opening. After cleaning the outside of the window the arm is put back into its normal working condition.

Type-C GS HD arms are tested by Giesse for up to life-time 30.000 cycles.

Applicability

Type-C GS HD arms are applicable to profiles with a stack (sash/frame distance) of 16.5 - 17 mm.



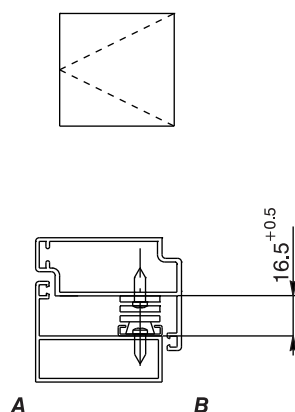
Ask to your sales rep for product availability.

Materials

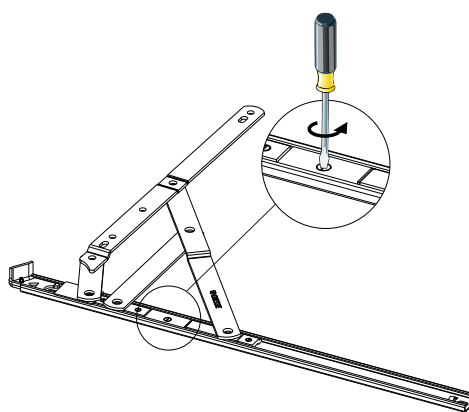
AISI 304 stainless steel arm

Slider in polyamide and 304 grade stainless steel

Side Hung (A: internal, B: external)



Unlocking element for cleaning the outside of the sash



Item code	Description	Permitted type of opening	Egress	Loose rivet	Bag width	Sash - frame distance (mm)	arm length (mm)	Maximum opening angle	Side Hung maximum height (mm)	Side Hung maximum width (mm)	Side Hung Maximum Weight (kg)	Side adjustment	Base Raw	Items per pack
0814701	GS HD - 10" type C	Side	NO	NO	23	16,5+0,5	263	82	1600	550	36	/	X	6
0814901	GS HD - 14" type C	Side	NO	NO	23	16,5+0,5	365	87	1600	650	40	/	X	6
0815101	GS HD - 16" type C	Side	NO	NO	23	16,5+0,5	414	87	1600	700	42	/	X	6
0815201	GS HD - 18" type C	Side	NO	NO	23	16,5+0,5	463	87	1600	750	45	/	X	6