

GS HD ARMS TYPE C PLUS



Functions

Pair of self-balancing arms (one right and one left) able to bear the weight of an outward opening side-hung window and hold it in the open position.

Online data sheet



Technical Features

Type-C Plus GS HD arms are suitable for medium size/weight outward opening (side hung) casement windows (see table).

Since the upper part of the arm is asymmetrical, within the pair of arms we will have a right and a left; this asymmetrical geometry of the arm improves the return and closing of the sash.

The window opening can also be frictioned by turning the grub screw on the slider.

Type-C Plus GS HD arms are tested by Giesse for up to life-time 30.000 cycles.



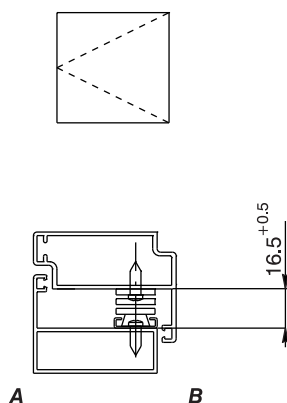
Ask to your sales rep for product availability.

Materials

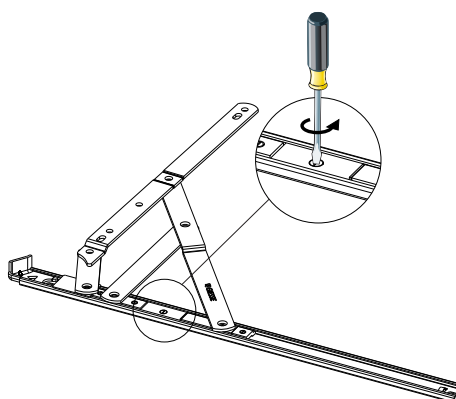
AISI 304 stainless steel arm

Slider in polyamide and 304 grade stainless steel

Side Hung (A: internal, B: external)



Unlocking element for cleaning the outside of the sash



Item code	Description	Permitted type of opening	Egress	Loose rivet	Bag width	Sash - frame distance (mm)	Arm length (mm)	Maximum opening angle	Side Hung maximum height (mm)	Side Hung maximum width (mm)	Side Hung Maximum Weight (kg)	Side adjustment	Base Riv	Items per pack
08222	GS HD - 10" type C Plus	Side	NO	NO	~23	16,5+0,5	267	80°	1600	500	32	/	X	6
08223	GS HD - 12" type C Plus	Side	NO	NO	~23	16,5+0,5	313	84°	1600	600	38	/	X	6
08224	GS HD - 14" type C Plus	Side	NO	NO	~23	16,5+0,5	365	87°	1600	650	40	/	X	6
08225	GS HD - 16" type C Plus	Side	NO	NO	~23	16,5+0,5	414	87°	1800	750	42	/	X	6
08226	GS HD - 18" type C Plus	Side	NO	NO	~23	16,5+0,5	463	87°	1800	800	45	/	X	6