

GS HD ARMS TYPE P



Functions

Pair of self-balancing arms (one right and one left) able to bear the weight of a top hung window and hold it in the open position.

Online data sheet



Technical Features

Type-P GS HD arms are suitable for medium to large size/weight top-hung windows (see table).

Since the upper part of the arm is asymmetrical, within the pair of arms we will have a right and a left; this asymmetrical geometry of the arm improves the return and closing phases.

Type-P GS HD arms may be frictioned by way of the grub screw on the slider and, depending on the model, you can choose also the maximum sash opening angle (see table).

To make operable fixtures with different dimensions and weights to those indicated in the table, please call the Giesse technical service.

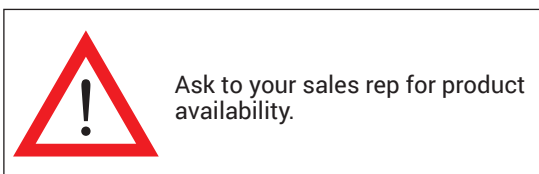
Type-P GS HD arms, depending on the version, provide micrometric height adjustment.

If necessary, the P type arms can be applied with the I, L and Laser limitation arms; this is in order to limit the maximum opening of the sash.

Type-P GS HD arms are tested by Giesse for up to life-time 30.000 cycles.

Applicability

Type-P GS HD arms are applicable to sets of profiles with a stack (sash/frame distance) of 16.5 - 17 mm.



Ask to your sales rep for product availability.

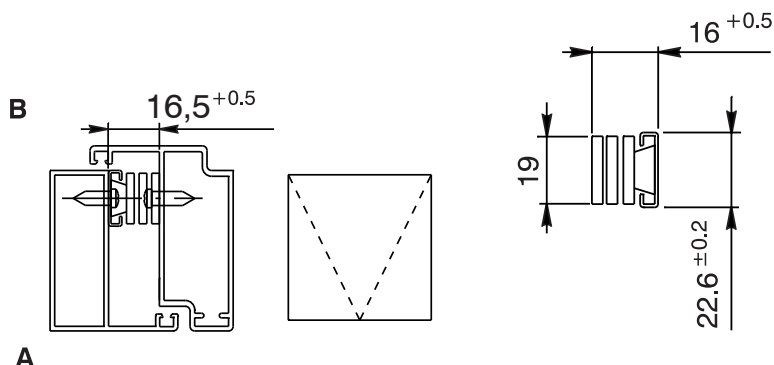
Materials

AISI 304 stainless steel arm

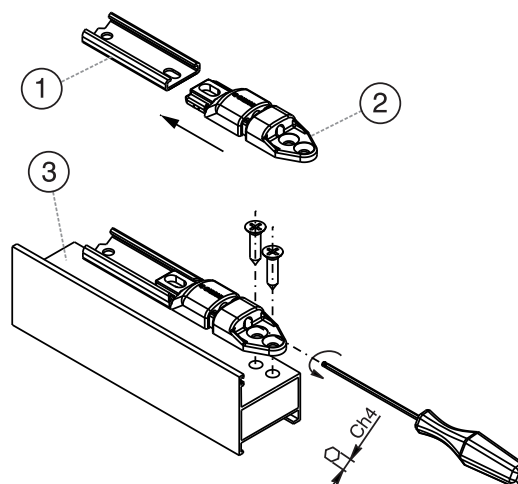
Slider in polyamide and 304 grade stainless steel

Zamak height-adjustment device

Top Hung (A: internal, B: external)



1: Top hung arm. 2: height adjustment component. 3: frame.



ARMS FOR CURTAIN WALL-TOP HUNG-SIDE HUNG WINDOWS

Item code	Description	PROFILE CROSS-SECTION	Permitted type of opening	Bag width (mm)	Arm thickness (mm)	Arm length (mm)	Opening angles	Top Hung maximum height (mm)	Top Hung maximum width (mm)	Top Hung Maximum Weight (kg)	Applicable height adjuster	Base Raw	Items per pack
08348	GS HD - 26-180" type P	-	Top	23	16,5+0,5	690	20°	2000	1500	155 - 180 limited to 7° by way of limitation arms	art. 02006K	X	6
08309	GS HD - 10" type P	-	Top	-	Euro groove central gasket	259	50°	600	1500	25	-	X	6
08351	GS HD - 22" type P	C001	Top	-	Euro groove central gasket	567	20°/45°	1500	1700	100 (20°) - 80 (max 30°)	-	X	6
08352	GS HD - 28" type P	C001	Top	-	Euro groove central gasket	711	15°	2000	1700	100	-	X	6
08362	GS HD - 28" type P	-	Top	-	Euro groove central gasket	711	15°	2000	1700	100	-	X	6
08534N	GS HD - 10" type P	-	Top	23	16,5+0,5	261	35°	700	1200	50	art. 02006K	X	6
08535N	GS HD - 12" type P	-	Top	23	16,5+0,5	317	30°/35°	800	1200	60	art. 02006K	X	6
08536N	GS HD - 14" type P	-	Top	23	16,5+0,5	353	30°/35°	1000	1300	69,5	art. 02006K	X	6
08537N	GS HD - 16" type P	-	Top	23	16,5+0,5	414	30°/35°	1200	1400	88,5	art. 02006K	X	6
08538N	GS HD - 18" type P	-	Top	23	16,5+0,5	458	25°/30°	1400	1400	102	art. 02006K	X	6
08539N	GS HD - 20" type P	-	Top	23	16,5+0,5	511	25°/30°	1600	1500	135	art. 02006K	X	6
08540N	GS HD - 22" type P	-	Top	23	16,5+0,5	556	20°/25°	1700	1500	137	art. 02006K	X	6
08541N	GS HD - 24" type P	-	Top	23	16,5+0,5	602	20°/25°	1800	1500	139	art. 02006K	X	6
08542N	GS HD - 28" type P	-	Top	23	16,5+0,5	707	10°/15°/20°	2000	1500	155	art. 02006K	X	6