

## GS HD ARMS TYPE P SUPER



### Functions

Pair of self-balancing arms (one right and one left) able to bear the weight of a top hung window and hold it in the open position.

Online data sheet



### Technical Features

Type-P GS HD arms are suitable for medium to large size/weight top-hung windows (see table).

Since the upper part of the arm is asymmetrical, within the pair of arms we will have a right and a left; this asymmetrical geometry of the arm improves the return and closing phases of the sash.

Type-P GS HD arms may be frictioned by way of the grub screw on the slider and, depending on the model, you can choose also the maximum sash opening angle (see table).

To make operable fixtures with different dimensions and weights to those indicated in the table, please call the Giesse technical service.

Type-P GS HD arms, depending on the version, provide micrometric height adjustment with the sash already installed.

If necessary, the P type arms can be applied with the I, L and Laser limitation arms; this is in order to limit the maximum opening of the sash.

Type-P Super GS HD arms are tested by Giesse for up to life-time 30.000 cycles.

### Applicability

Type-P GS HD arms are applicable to sets of profiles with a stack (sash/frame distance) of 16.5 - 17 mm.

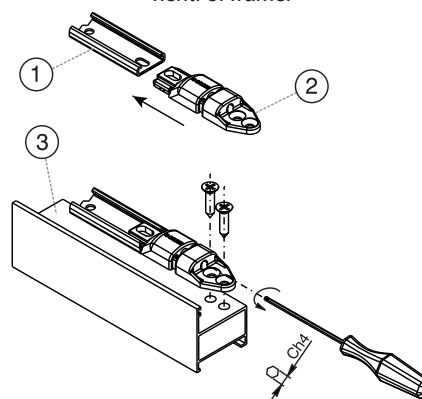
### Materials

AISI 304 stainless steel arm

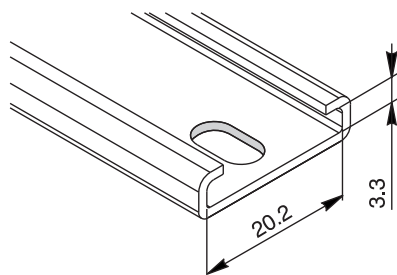
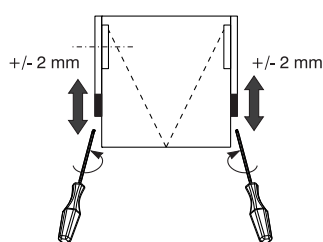
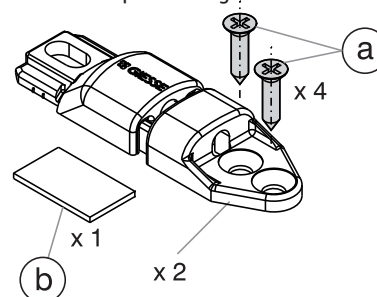
Slider in polyamide and 304 grade stainless steel

Zamak height-adjustment device

1: Top hung arm. 2: height adjustment component. 3: frame.



(a) self-tapping countersunk screws 4.8 mm, (b) shim for positioning arm.



Item code	Description	Permitted type of opening	Bag width (mm)	Arm thickness (mm)	Arm length (mm)	Opening angles	Top Hung maximum height (mm)	Top Hung maximum width (mm)	Top Hung Maximum Weight (kg)	Height adjuster	Base Raw	Items per pack
08886	Super GS HD - 10" type P	Top	23	16,5+0,5	322	35°	700	1200	50	Integrated	X	6
08887	Super GS HD - 12" type P	Top	23	16,5+0,5	378	30°/35°	800	1200	60	Integrated	X	6
08888	Super GS HD - 14" type P	Top	23	16,5+0,5	414	30°/35°	1000	1300	69,5	Integrated	X	6
08889	Super GS HD - 16" type P	Top	23	16,5+0,5	475	30°/35°	1200	1400	88,5	Integrated	X	6
08890	Super GS HD - 18" type P	Top	23	16,5+0,5	519	25°/30°	1400	1400	102	Integrated	X	6
08891	Super GS HD - 20" type P	Top	23	16,5+0,5	572	25°/30°	1600	1500	135	Integrated	X	6
08892	Super GS HD - 22" type P	Top	23	16,5+0,5	617	20°/25°	1700	1500	137	Integrated	X	6
08893	Super GS HD - 24" type P	Top	23	16,5+0,5	663	20°/25°	1800	1500	139	Integrated	X	6
08894	Super GS HD - 28" type P	Top	23	16,5+0,5	768	10°/15°/20°	2000	1500	155	Integrated	X	6