

# ARMS FOR CURTAIN WALL-TOP HUNG-SIDE HUNG WINDOWS

## GS HD ARMS TYPE TS



### Functions

Pair of arms (RH/LH) for outward opening (side hung) or top hung aluminium windows.

Online data sheet



### Technical Features

Type-TS GS HD arms are suitable for medium size/weight outward opening side hung or top hung windows (see table). Since the upper part of the arm is asymmetrical, within the pair of arms we will have a right and a left; this asymmetrical geometry of the arm improves the return and closing of the sash.

The window opening can also be frictioned by turning the grub screw on the slider.

The Range of TS-type GS HD Arms is divided into two groups:

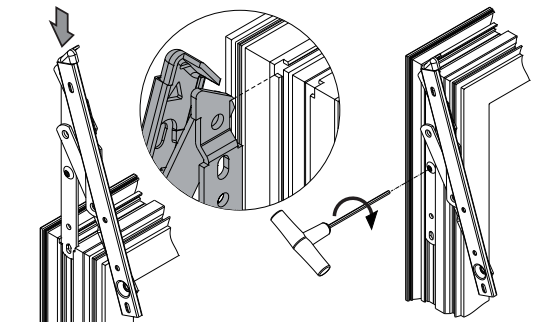
- a) applicable on systems with a stack of 16.5 mm
  - b) applicable on systems with a stack of 11.5 mm (European groove central gasket)
- (See table)

- a) TS-type GS HD arms for systems with a stack of 16.5 mm require a sash/frame distance of 16.5 mm, market standard for curtain walls.
- b) TS-type GS HD arms for European grooves (Euro groove central gasket) due to their special geometry position themselves in the channel 15/20 on the sash. Pre-assembled grub screws on the connecting bracket that fits in the sash allow quickly fixing the product at first. These arms mount to the frame (with 14/18 channel) with self-threading screws (not included). For solid, durable arm fixing on the frame you need to create a flat surface beneath it. For 14/18 or 13.5 / 16.8 frame channels, Giesse recommends using the filling shim (see the relevant family), to be assembled under each arm fixing hole/slot.

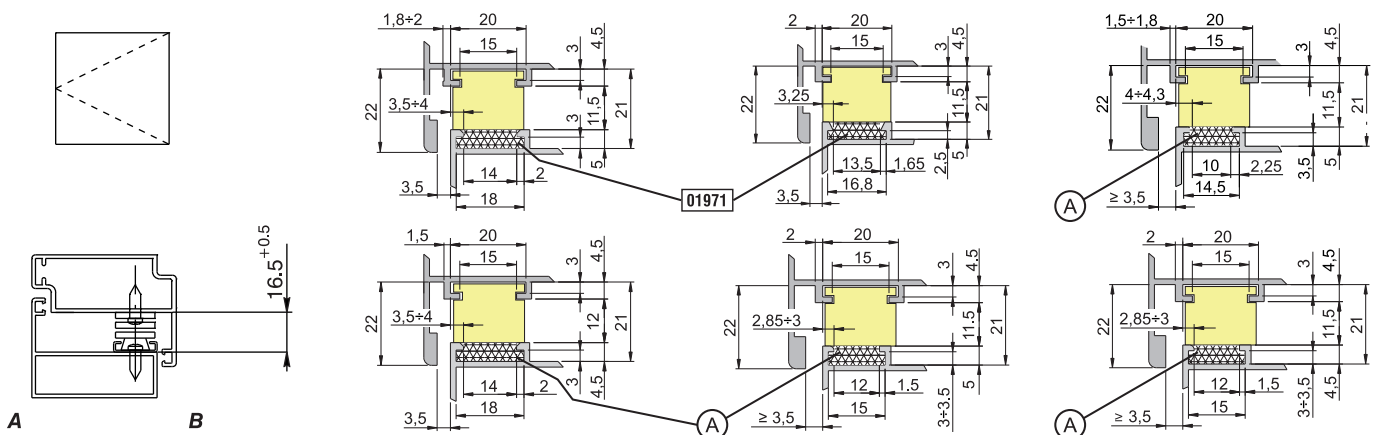
Type-TS GS HD arms are tested by Giesse for up to life-time 30.000 cycles.

### Applicability

TS-type GS HD arms can be applied to systems with a stack of 16.5 or on European groove systems (Euro groove central gasket). See the figure and table.

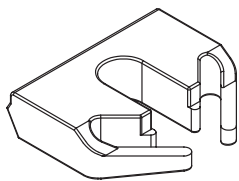


A: shim at the fixing screws by the window maker.

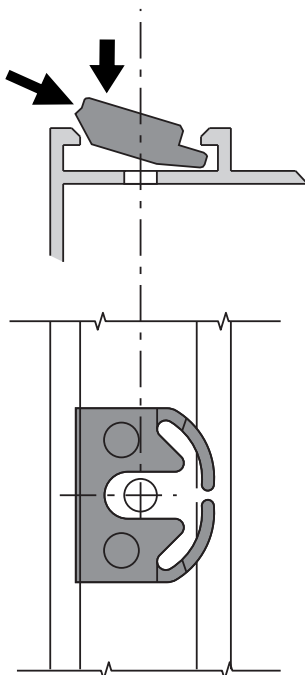


# ARMS FOR CURTAIN WALL-TOP HUNG-SIDE HUNG WINDOWS

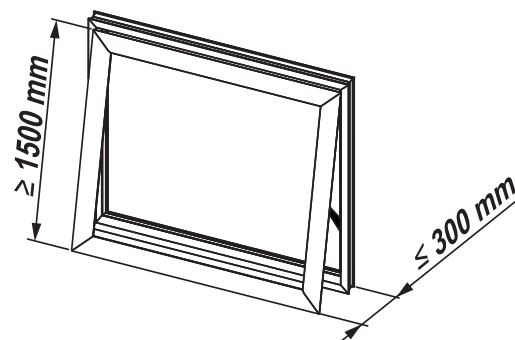
Art. 01971 set of shims



Inserting shim in channel



We recommend using limitation arms in the cases shown below



| Item code | Description               | PROFILE CROSS - SECTION | Bag width | Stack                      | Arm length (mm) | Loose rivet | TOP HUNG Opening angle | TOP HUNG Max-imum height (mm) | TOP HUNG Max-imum width (mm) | TOP HUNG Max-imum weight (kg) | SIDE HUNG Possible opening angle | SIDE HUNG Max-imum height (mm) | SIDE HUNG Max-imum width (mm) | SIDE HUNG Max-imum weight (kg) | Base Raw | Items per pack |
|-----------|---------------------------|-------------------------|-----------|----------------------------|-----------------|-------------|------------------------|-------------------------------|------------------------------|-------------------------------|----------------------------------|--------------------------------|-------------------------------|--------------------------------|----------|----------------|
| 08340     | GS HD - 10" type TS       | -                       | 22        | 16,5                       | 259             | No          | 50°                    | 650                           | 1500                         | 50                            | 50° / 84°                        | 1500                           | 660                           | 35                             | X        | 6              |
| 08341     | GS HD - 10" type TS - L/R | -                       | 22        | 16,5                       | 259             | Yes         | 50°                    | 650                           | 1500                         | 50                            | 50° / 84°                        | 1500                           | 660                           | 35                             | X        | 6              |
| 08342     | GS HD - 16" type TS       | -                       | 22        | 16,5                       | 412             | No          | 30°<br>50°             | 800                           | 1500                         | 100<br>55                     | 50°/90°<br>30°                   | 1600                           | 760<br>700                    | 42<br>60                       | X        | 6              |
| 08343     | GS HD - 16" type TS - L/R | -                       | 22        | 16,5                       | 412             | Yes         | 30°<br>50°             | 800                           | 1500                         | 100<br>55                     | 30°/50°/90°<br>30°               | 1600                           | 760<br>700                    | 42<br>60                       | X        | 6              |
| 08349     | GS HD - 10" type TS       | C001-C013-C016          | 22        | Euro groove central gasket | 259             | No          | 50°                    | 650                           | 1500                         | 50                            | 50/84                            | 1500                           | 660                           | 35                             | X        | 6              |
| 08350     | GS HD - 16" type TS       | C001-C013-C016          | 22        | Euro groove central gasket | 412             | No          | 30°<br>50°             | 800                           | 1500                         | 100<br>55                     | 30°<br>50°/90°                   | 1600                           | 700                           | 60<br>42                       | X        | 6              |
| 08359     | GS HD - 10" type TS       | -                       | 22        | Euro groove central gasket | 259             | No          | 50°                    | 650                           | 1500                         | 50                            | 50°/84°                          | 1500                           | 660                           | 35                             | X        | 6              |
| 08360     | GS HD - 16" type TS       | -                       | 22        | Euro groove central gasket | 412             | No          | 30°<br>50°             | 800                           | 1500                         | 100<br>55                     | 30°<br>50°/90°                   | 1600                           | 700                           | 60<br>42                       | X        | 6              |