

CAPS



Functions

Polyamide part with snap fitting, to be used for covering the drain slot.

Online data sheet



Technical Features

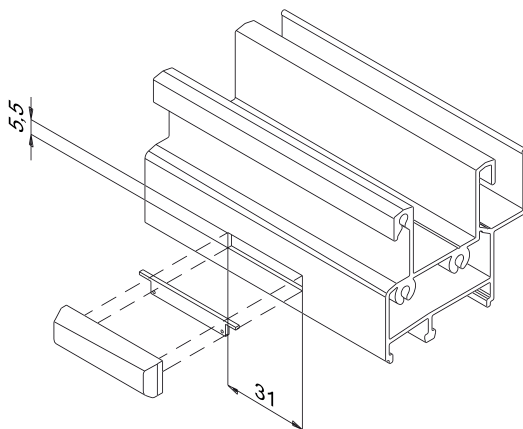
The drain cap has a quick-fit snap-fix fastener, on the special machinings in the figure.

Enables the water in the groove to be drained off quickly outside the room. The particular shape of the cap and the presence of an internal valve (when fitted) allow an optimal run-off of water even under conditions of strong external pressure caused by the wind.

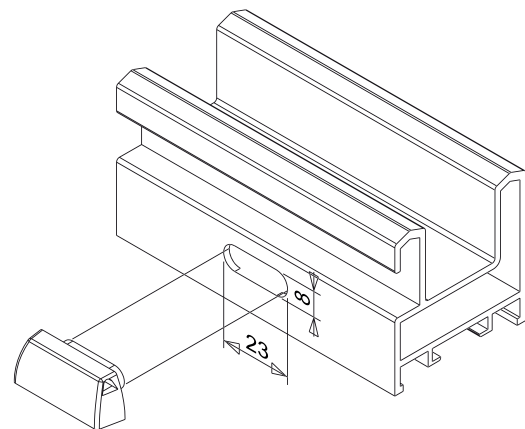
Materials

Black polyamide

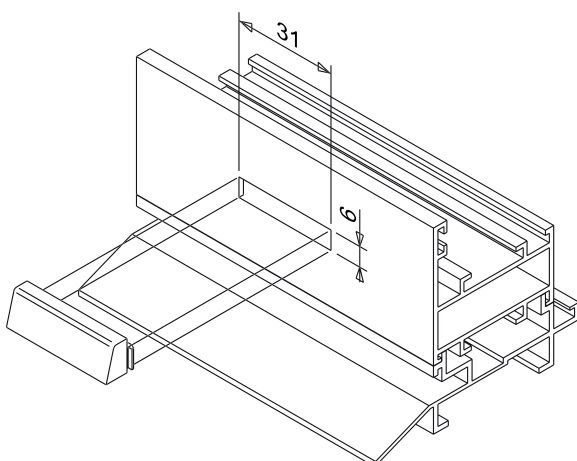
Machining art. 01261



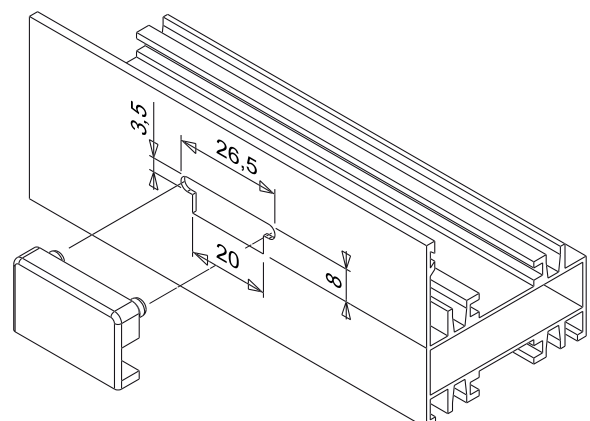
Machining art. 02282



Machining art. 02314

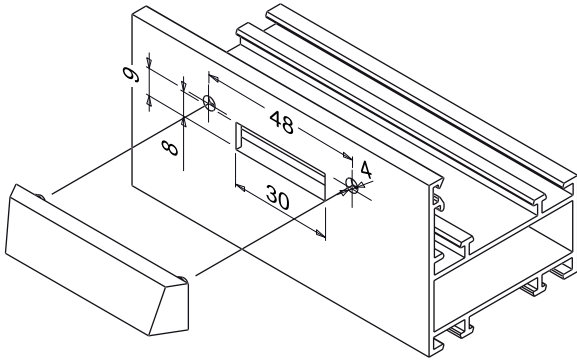


Machining art. 02328

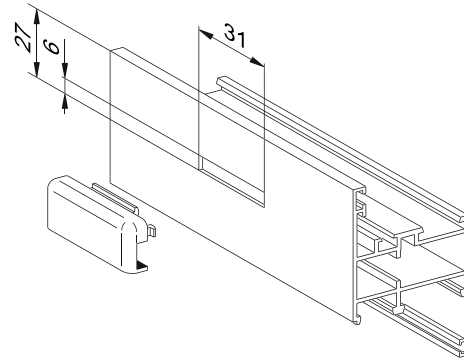


VARIOUS COMPONENTS

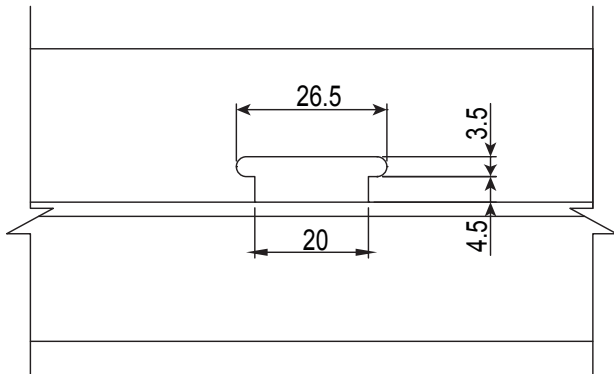
Machining art. 02354



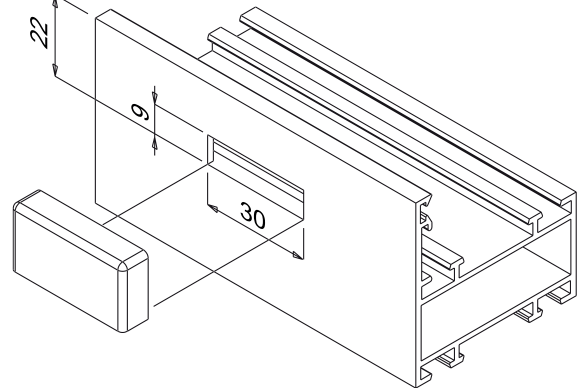
Machining art. 02357



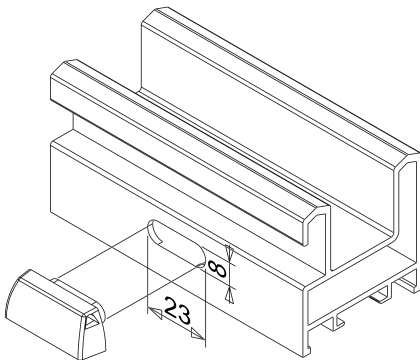
Machining art. 02359



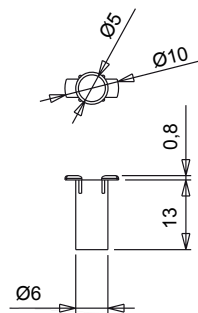
Machining art. 02360



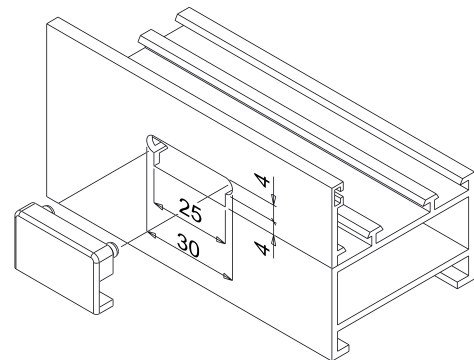
Machining art. 03149



Bushing in combination with art. 03149



Machining art. 03195



Item code	Description	Note	Material	Base Raw	Anodised Elox	Painted	Trend/Gold Brass	Pieces per pack
01261	DRAINAGE HOLE CAP	with valve	Black polyamide	X				100
02282	DRAINAGE HOLE CAP	with valve	Black polyamide	X				50
02314	DRAINAGE HOLE CAP		Black polyamide	X				1000
02328	DRAINAGE HOLE CAP		Black polyamide	X				1000
02354	DRAINAGE HOLE CAP		Black polyamide	X				1000
02357	DRAINAGE HOLE CAP		Black polyamide	X				1000
02359	DRAINAGE HOLE CAP		Black polyamide	X				1000
02360	DRAINAGE HOLE CAP		Black polyamide	X				1000
03149	DRAINAGE HOLE CAP	with pallet drain bushing and valve	Black polyamide	X				50
03195N	DRAINAGE HOLE CAP		Black polyamide	X				1000