

FIXED PULLEYS 1 WHEEL



Functions

Pulley in extruded aluminium with one wheel for windows or sliding doors in aluminium.

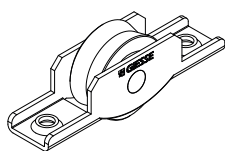
Online data sheet



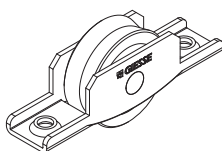
Technical Features

The wheel is mounted on a ball bearing.
Its special feature is that it can be inspected without having to disassemble the sash, by removing the fixing screws.

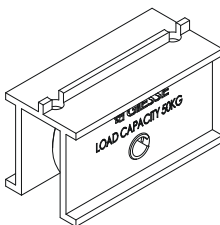
03529



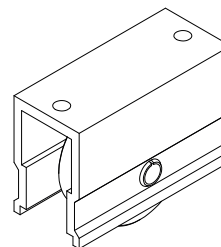
03539



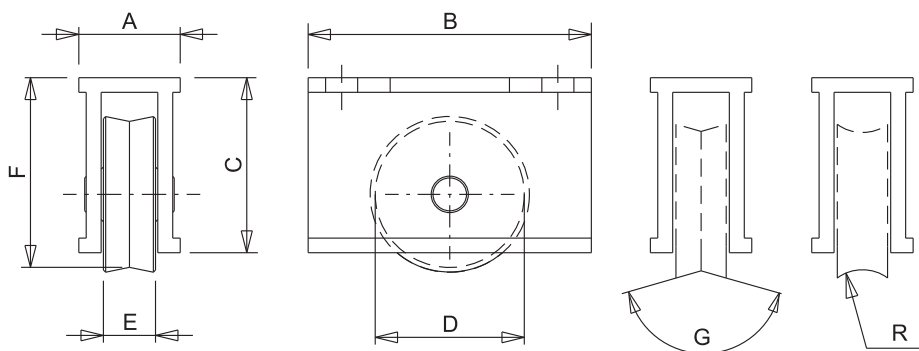
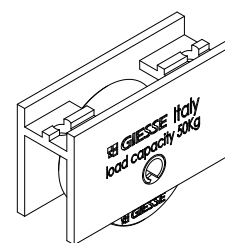
03558



03121



03151N



Item code	Description	Note	Load capacity (kg)	A [mm]	B [mm]	C [mm]	D [mm]	E [mm]	F [mm]	G [°]	Bearing	External support	Base Raw Anodised Elox	Painted	Trend/Gold Brass	Pieces per pack
03529	FIXED PULLEY 1 WHEEL	Bulk packaging	50	16	70	15,6	24	11	/	156°	Balls	Steel	X			200
03539	FIXED PULLEY 1 WHEEL	Bulk packaging	50	16	70	18	28	11	-	156°	Balls	Steel	X			200
03558	FIXED PULLEY 1 WHEEL	Bulk packaging	60	24	50	30,4	28	12	34,85	156°	Balls	Aluminium	X			200
03121	FIXED PULLEY 1 WHEEL	Set of 4 pcs.	60	21,5	50	33	28	12	38,5	156°	Balls	Aluminium	X			50
03151N	FIXED PULLEY 1 WHEEL	Set of 4 pcs.	50	17,8	50	29,2	28	12	35,25	156°	Balls	Aluminium	X			100