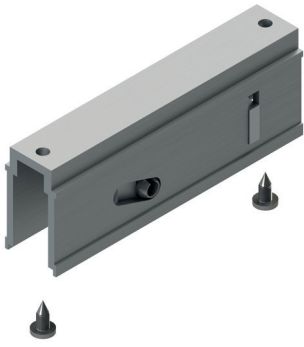


ADJUSTABLE PULLEYS 1 WHEEL

Functions

Adjustable pulley with one wheel for doors and windows in aluminium.

Online data sheet



Technical Features

The pulley is fixed with a clamping grub screw, without requiring specific machining.

Micrometrically adjustable, it enables moving the sash vertically in an overall range of approximately 4 mm (depends on the model).

The adjustment can also be made with the sash already mounted and installed.

The wheel is mounted on ball bearings and can be removed together with its support without having to disassemble the pulley.

Materials

Support in grey polyamide

Wheel support in Silver Plus zamak

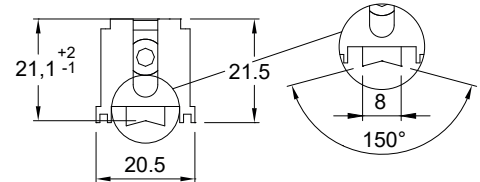
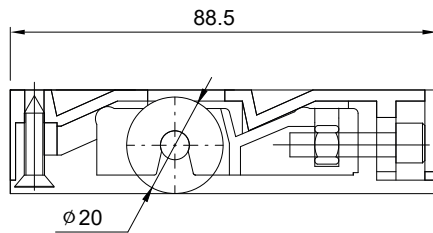
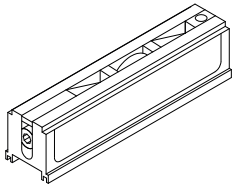
Wheel with bearing in steel and neutral reinforced polyamide cover

Mounting grubscrew and adjustment screw in stainless steel

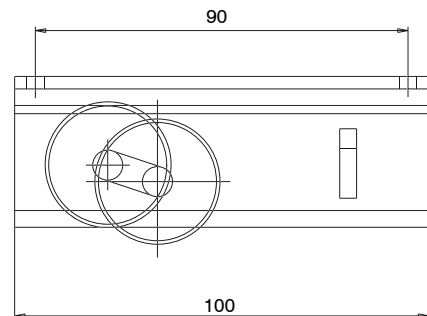
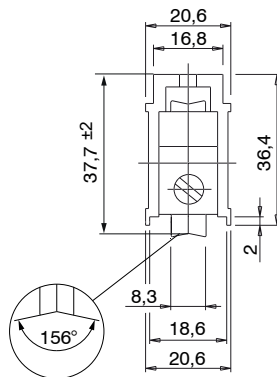
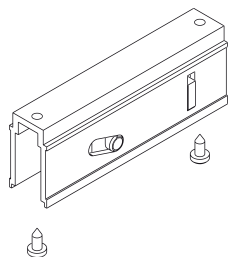
Capacities

40 kg with two pulleys

00859



03122



Item code	Description	Note	Pulley Load Capacity [kg]	Adjustment [mm]	Base Raw	Anodised Elox	Painted	Trend/Gold Brass	Pieces per pack
00859	ADJUSTABLE 1 WHEEL PULLEY	set of 4 pieces	20	+2 / -1	X				16
03122	ADJUSTABLE 1 WHEEL PULLEY	set of 4 pieces	35	± 2	X				40