

**FIXED PULLEYS 2 WHEELS**



**Functions**

Fixed double-wheel pulleys for aluminium sliding doors and windows.

Online data sheet



**Technical Features**

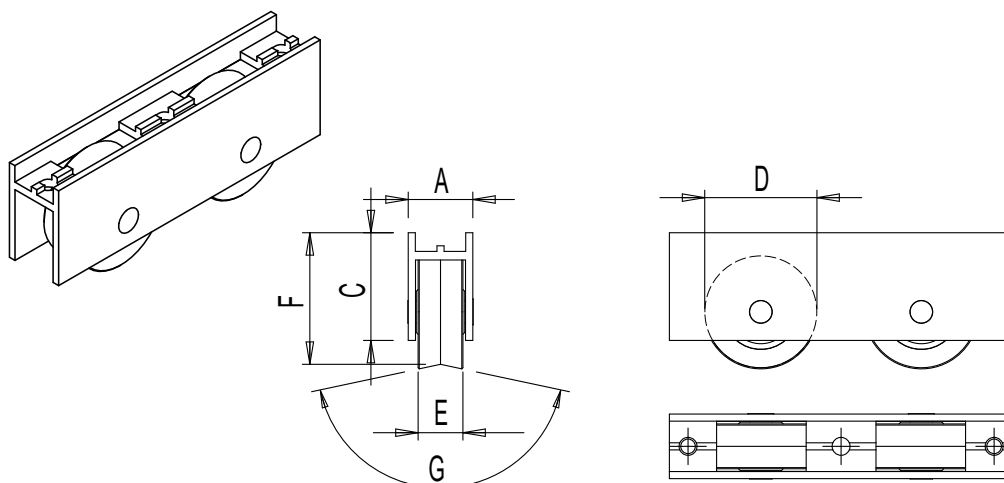
The pulley can be removed without disassembling the sash.  
It is fixed with 2 self-tapping screws  
The wheels are mounted on ball bearings.

**Materials**

Pulley external support in extruded aluminium  
Reinforced polyamide wheel on steel ball bearings

**Capacities**

Max. 200 kg with 2 pulleys



Item code	Description	Note	Load capacity (kg)	A [mm]	C [mm]	D [mm]	E [mm]	F [mm]	G [°]	Bearing	Base Raw	Anodised Elox	Painted	Trend/Gold Brass	Pieces per pack
03041	DOUBLE WHEEL PULLEY	set of 4 pieces	100	17,3	28,9	28	12	35,3	156°	Balls	X				25