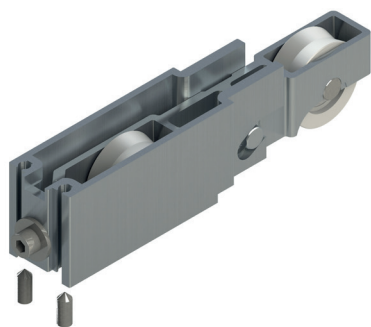


ADJUSTABLE PULLEYS 2 WHEELS



Functions

Adjustable pulley, with two wheels, for windows and sliding doors in aluminium.

Online data sheet



Technical Features

The pulley is micro-adjustable and allows vertical movement of the sash through a range of 4 mm (0315202) or of 8 mm (07195). Its special feature is that it can be inspected without having to disassemble the sash, by screwing in the adjustment screw. The wheels are mounted on ball bearings.

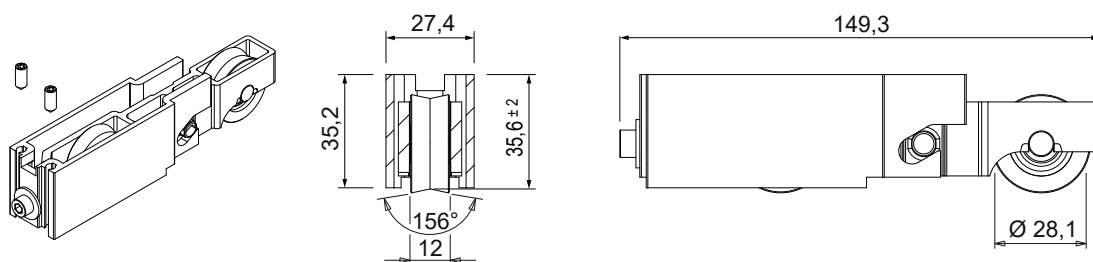
Materials

Art. 0315202: support in extruded aluminium
 Art. 07195: support in steel (AISI 304)
 Wheels with bearing in steel and reinforced polyamide cover
 Self-braking plug in fibreglass reinforced polyamide
 Screws and grub screws in stainless steel

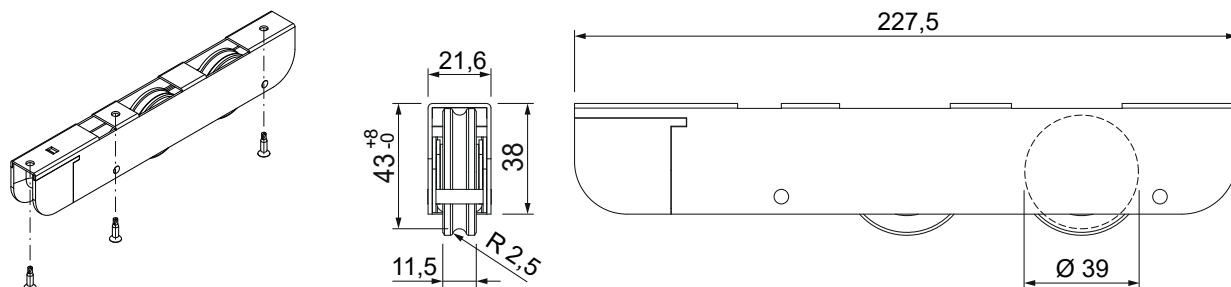
Capacities

See table

0315202



07195



Item code	Description	Note	Pulley Load Capacity [kg]	Adjustment [mm]	Base Raw	Anodised Elox	Painted	Trend/Gold Brass	Pieces per pack
0315202	2-WHEEL ADJUSTABLE PULLEY	set of 4 pieces	120	± 2	X				10
07195	2-WHEEL ADJUSTABLE PULLEY	Bulk packaging	100	+ 8 / - 0	X				10