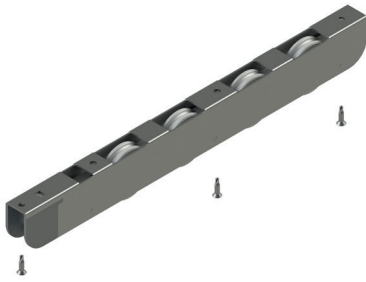


ADJUSTABLE PULLEYS 4 WHEELS



Functions

Adjustable pulley, with four wheels, for windows and sliding doors in aluminium.

Online data sheet



Technical Features

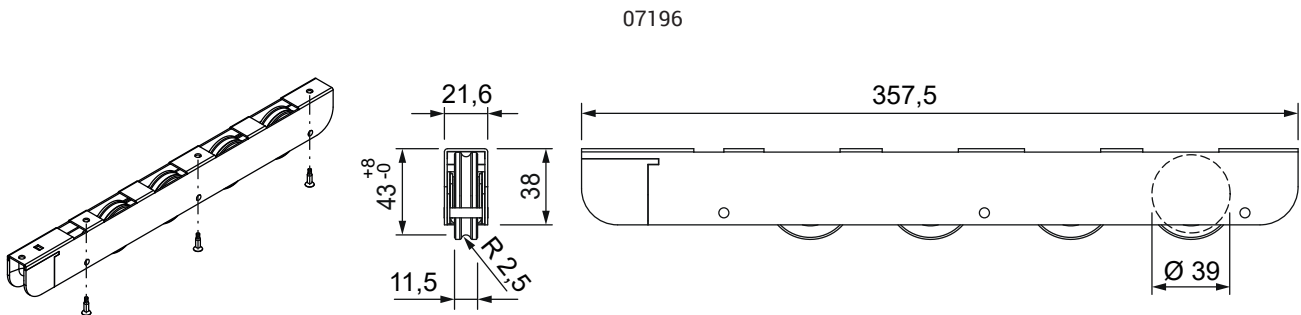
The pulley is micro-adjustable and allows vertical movement of the sash through a range of 8 mm. Its special feature is that it can be inspected without having to disassemble the sash, by screwing in the adjustment screw. The wheels are mounted on ball bearings.

Materials

Support in steel (AISI 304)
Wheels with bearing in steel and reinforced polyamide cover
Stroke adjustment block in steel
Screws and grub screws in stainless steel

Capacities

kg 300 with 2 pulleys



Item code	Description	Note	Pulley Load Capacity [kg]	Adjustment [mm]	Base Raw	Anodised Elox	Painted	Trend/Gold Brass	Pieces per pack
07196	4-WHEEL ADJUSTABLE PULLEY	Bulk packaging	150	+ 8 / - 0	X				10