

## GS3000-150 PULLEYS



### Functions

Pulleys for GS3000-150 lift and slide system.

Online data sheet



### Technical features

Reversible two-wheel pulleys with lever type lifting device to construct operable sashes of up to 150 kg.

Wheel compatible with 2.5 mm radius rails.

The set of double pulleys consists of a primary corner pulley, equipped with a toggle for sash lifting, and a secondary pulley.

Connection and drive of the secondary pulley occurs by means of a connection rod to be cut to length.

Available in two versions:

- 150/22 pulleys for slot with 22 mm width and 30 mm distance from track
- 150/18 pulleys for slot with 22 mm width and 42 mm distance from track.

The set of adapters supplied allow the pulley to seat in the 22 mm slot.

Compatible with drive gear with 27.5 and 37.5 mm backset and with window handles having 80 mm fixing C/C distance.

Complete with threaded bushings to fit on the drive gear for use with a single handle and in the external handle, for use of a double handle.

Supplied complete with fixing screws, connection rod pin and rod guide.

### Connection rods

The connection rod transmits drive from the main pulley to the secondary pulley.

Available in three different sizes, to be cut in accordance with the sash width.

Compatible with all pulley versions.

### Capacities

For sashes up to 150 kg.

### Materials

Pulley body in galvanised zamak

Stainless steel side covers

Stainless steel levers, connecting brackets and pins

Fibreglass-reinforced nylon wheels

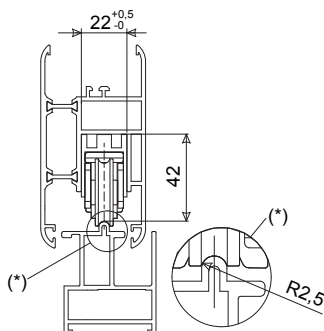
Pulley adapters (150/18 version) in fibreglass reinforced nylon

Connection rod guides in fibreglass reinforced nylon

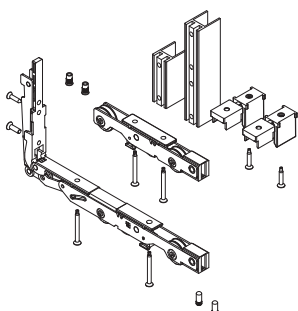
Fixing screws, zinc-coated steel

Pulleys connection rod in zinc plated steel

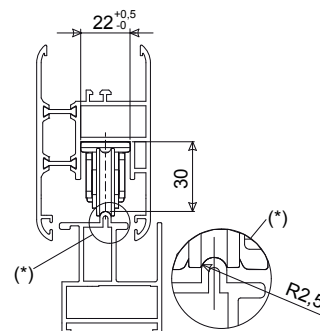
Section with 150/18 pulley



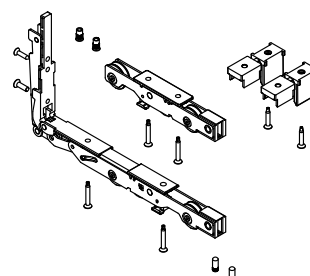
Pulleys 150/18



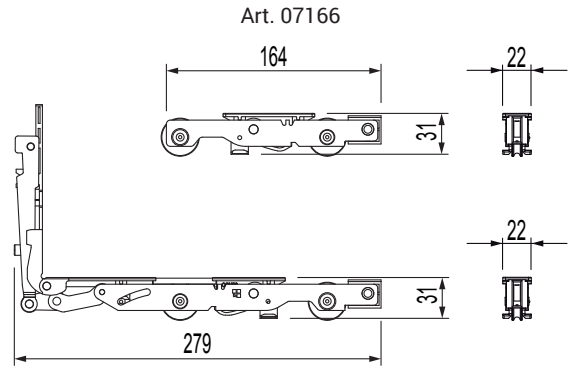
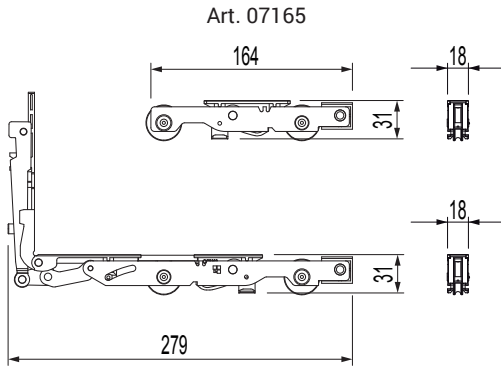
Section with 150/22 pulley



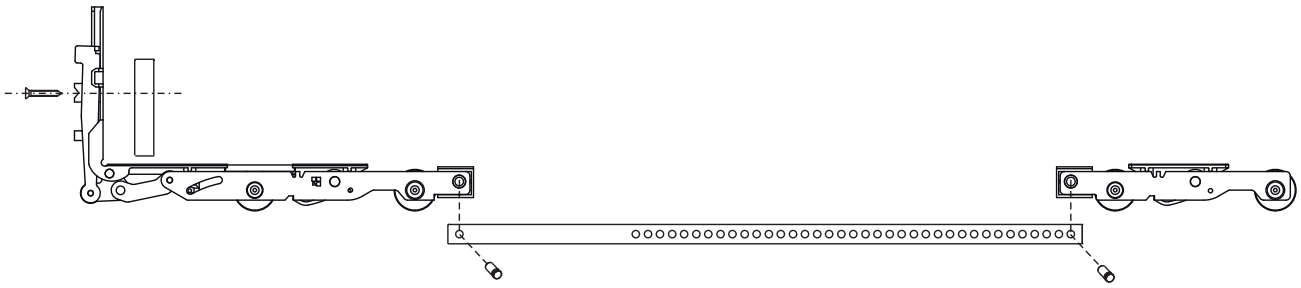
Pulleys 150/22



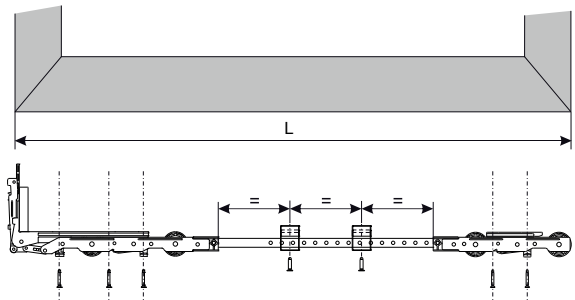
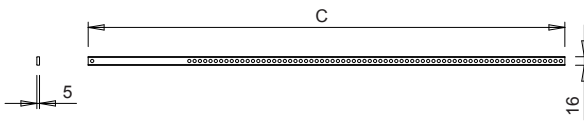
# GS3000 - 150 LIFT AND SLIDE SYSTEM



Standard assembly



Pulleys connection rod



Item code	Description	Slot width	Track height	Max sash weight	Compatible with drive gear	Compatible with window handle C/C distance (I)	Base Raw	Anodised Elox	Painted	Trend/Gold Brass	Pieces per pack
07165	Pulleys 150/18 - GS3000	22 mm	42 mm	150 kg	E = 27,5 E = 37,5	80 mm	X				1
07166	Pulleys 150/22 - GS3000	22 mm	30 mm	150 kg	E = 27,5 E = 37,5	80 mm	X				1

Item code	Description	Rod length (C)	Sash width (L) (*)	Base Raw	Anodised Elox	Painted	Trend/Gold Brass	Pieces per pack
07146	Pulleys connection rod 900 - GS3000	900 mm	600 - 1500 mm	X				5
07147	Pulleys connection rod 1400 - GS3000	1400 mm	1501 - 2000 mm	X				5
07148	Pulleys connection rod 1900 - GS3000	1900 mm	2001 - 2500 mm	X				5

(\*) the dimensions are referred to the minimum and maximum sash width that can be constructed with the selected rod. When using additional pulleys the maximum permissible sash width is 3350 mm.