

SINGLE PULLEYS

Functions

Single pulleys for GS1000 tilt and slide system.

Online data sheet



Technical features

Single pulleys to be used for making windows with the following tilt and slide versions:

- GS1000-ML
- GS1000-HL
- GS1000-HD 100
- GS1000-HD 160

The set of single pulleys consists of a primary pulley, which controls sash return and a secondary pulley, available in right-hand and left-hand versions. The opening of the arm of the pulleys allows the sash to come out from the frame by 117 mm.

Applicable on profiles with a step greater than or equal to 7 mm.

Both pulleys are designed for use with side reinforcements that improve the seal of the profile (sold separately in the hardware set).

Using the pulleys it is possible to adjust the height of the sash (-2/+4 mm) and the parallelism between the sash and frame.

The machining on the profile for installing pulleys can be done with a specific drilling template.

Fixing to the profile is done with self-threading screws.

The pulleys are supplied with 2 supports for the bottom guard and the screws and bolts for fixing the pulleys and the set of rails.

Materials

Body and opening levers of aluminium

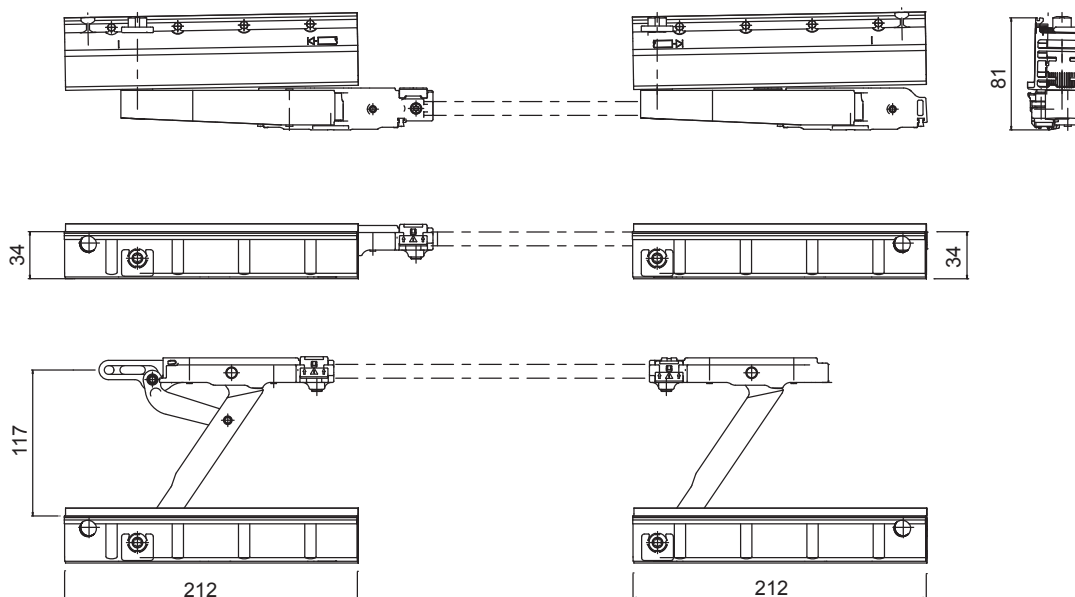
Wheel support of zamak

Polyamide wheels

Bottom guard supports of polyamide

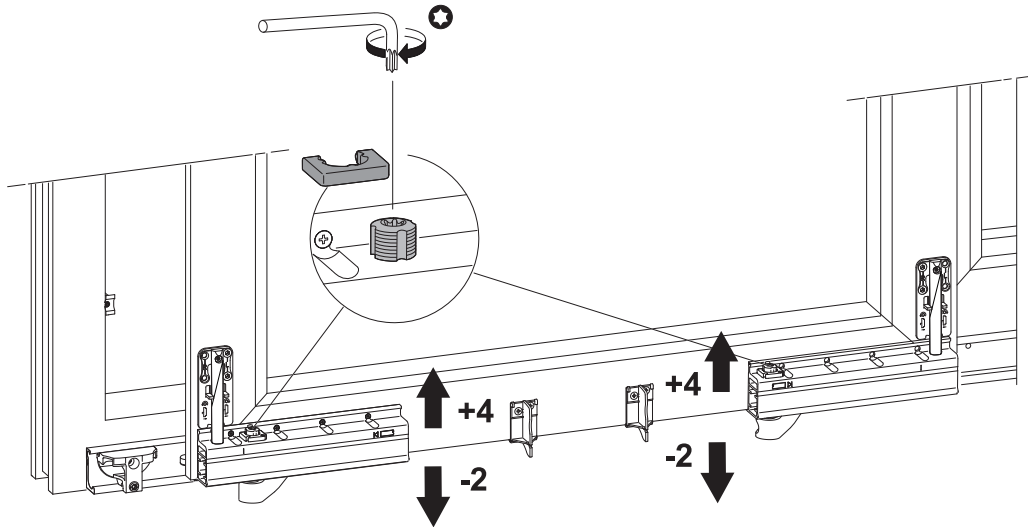
Screws and pins of stainless steel

Single pulleys

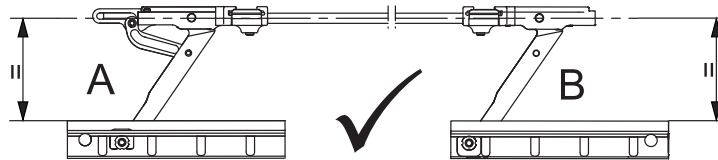


GS1000-HD 160 TILT AND SLIDE

Height adjustment



Sash-frame parallelism



Item code	Description	Range [mm]	PROFILE CROSS - SECTION	GS1000-ML	GS1000-HL	GS1000-HD 100	GS1000-HD 160	GS1000-HD 200	Base Raw	Anodised Elox	Painted	Trend/Gold Brass	Pieces per pack
09776	SET OF RH SINGLE PULLEYS	-	-	X	X	X	X	-	X				1
09777	SET OF LH SINGLE PULLEYS	-	-	X	X	X	X	-	X				1