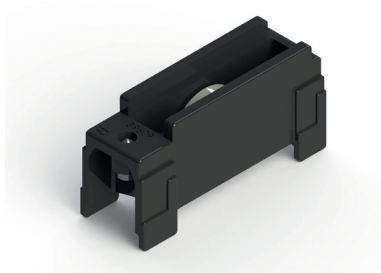


**FIXED CARRERA 1 PULLEYS**



**Functions**

Fixed pulley with one wheel for doors and windows in aluminium.

Online data sheet



**Technical Features**

The pulley is fixed with a clamping grub screw, without requiring specific machining.

The pulley does not allow micrometric adjustment of the sash. It is in any case possible to vary the position of the wheel with a range that on average varies from +1 to -1 mm (in fixed positions). This adjustment is achieved by moving the wheel into different locations inside the pulley body.

The wheels are normally mounted on ball bearings or needle bearings depending on the model and can be removed without having to disassemble the pulley.

The wheels with bearings are shielded to keep the grease inside them.

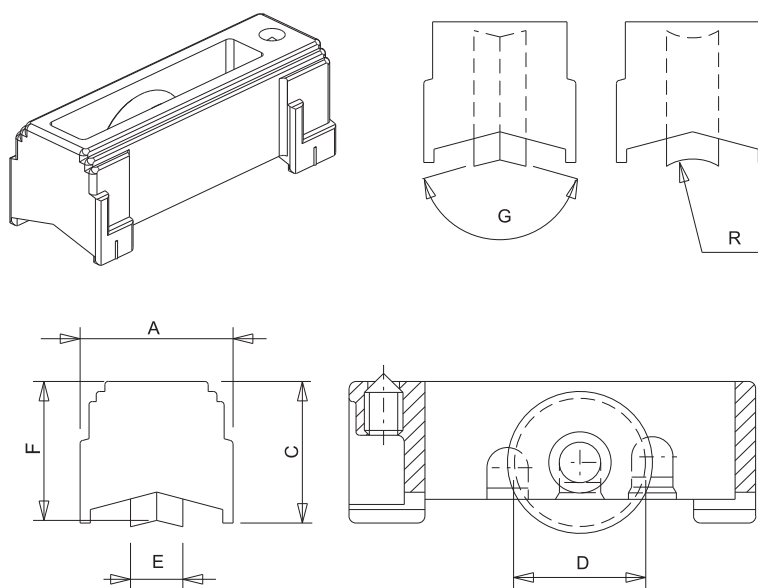
**Materials**

Support in grey polyamide  
Wheel with bearing or rollers in steel and neutral reinforced polyamide cover.

Stainless steel mounting grub screw

**Capacities**

see table



## FIXED PULLEYS

Item code	Description	Note	Load capacity (kg)	A [mm]	C [mm]	D [mm]	E [mm]	F [mm]	Adjustment [mm]	G [°]	Bearing	External support	Base Raw	Anodised Elox	Painted	Trend/Gold Brass	Pieces per pack
03319	FIXED CARRERA 1 PULLEY	Bulk packaging	45	15,9	21	19	8	21,9	+1/-1	150°	Ball	Polyamide with fiberglass	X				100
04545	FIXED CARRERA 1 PULLEY	Bulk packaging	45	22,7	23	19	8	22,5	+0.8/-0.8	150°	Ball	Polyamide with fiberglass	X				100
04561	FIXED CARRERA 1 PULLEY	Bulk packaging	45	28,5	23	20	9	26,3	+2/-1	150°	Ball	Polyamide with fiberglass	X				100
03079	FIXED CARRERA 1 PULLEY	Set of 4 pcs.	45	25	21	20	11,5	24,7	+1/-1	150°	Ball	Polyamide with fiberglass	X				200
03115	FIXED CARRERA 1 PULLEY	Set of 4 pcs.	55	31,5	23	20	9	26,3	+2/-1	156°	Ball	Polyamide with fiberglass	X				50
03119X	FIXED CARRERA 1 PULLEY	Set of 4 pcs.	45	22,5	21,1	19	8	21,5	+0.8/-0.8	150°	Ball	Polyamide with fiberglass	X				50
03123	FIXED CARRERA 1 PULLEY	Set of 4 pcs.	45	22,7	23	19	8	22,5	+0.8/-0.8	150°	Ball	Polyamide with fiberglass	X				50
03132	FIXED CARRERA 1 PULLEY	Set of 4 pcs.	45	28,5	23	20	9	26,3	+2/-1	156°	Ball	Polyamide with fiberglass	X				50
03138	FIXED CARRERA 1 PULLEY	Set of 4 pcs.	45	22,8	23	19	8	22,5	+/-0,8	150°	Ball	Polyamide with fiberglass	X				50