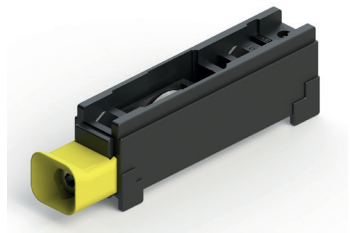


ADJUSTABLE CARRERA 1 PULLEYS



Functions

Adjustable pulley with one wheel for doors and windows in aluminium.

Online data sheet



Technical Features

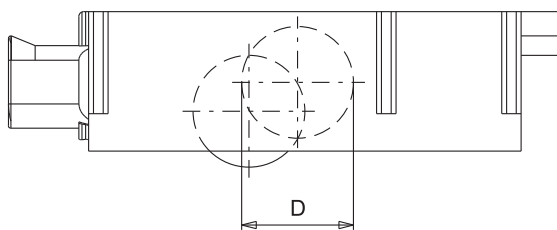
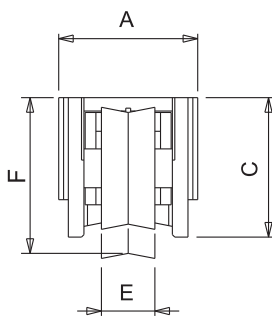
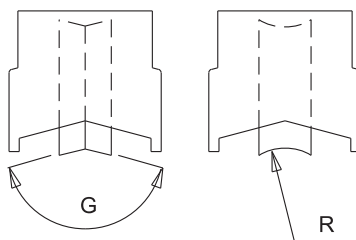
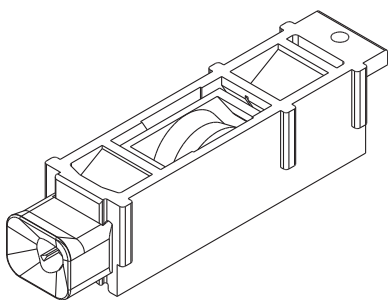
The pulley is fixed with a clamping grub screw, without requiring specific machining.
 Micrometrically adjustable, it enables moving the sash vertically in an overall range of on average 4 mm (see adjustment column in the table).
 Adjustment is easy since the adjustment screw is located inside the yellow centring element which facilitates insertion of the key. The adjustment can also be made with the sash already mounted and installed.
 The wheels are mounted on ball bearings or needle bearings depending on the model and can be removed together with the support without having to disassemble the pulley.
 The wheels with bearings are shielded to keep the grease inside them.

Materials

External support in grey polyamide
 Yellow polyamide centring element
 Wheel internal support in Silver Plus zamak or polyamide depending on the version (see table)
 Wheel with bearing in steel and neutral reinforced polyamide cover
 Mounting grub screw and adjustment screw in stainless steel

Capacities

see table



ADJUSTABLE PULLEYS

Item code	Description	Note	Pulley Load Capacity (kg)	A [mm]	C [mm]	D [mm]	E [mm]	F [mm]	Adjustment [mm]	G [°] R [mm]	Bearing type	External support	Internal support	Base Raw	Anodised Elox	Painted	Trend/Gold Brass	Pieces per pack
02633	CARRERA 1 ADJUSTABLE PULLEY	Bulk packaging	30	20,5	29,3	19	8	27,1	+2.2/ -2.6	150°	Balls	Polyamide	Zamak	X				40
02914	CARRERA 1 ADJUSTABLE PULLEY	Bulk packaging	40	25,5	26,1	27	11	29,7	+2.5/ -2.5	5 mm	Balls	Polyamide	Zamak	X				100
03104	CARRERA 1 ADJUSTABLE PULLEY	Bulk packaging	45	27,4	23,4	19	8	26,6	+2,6/ -2,3	150°	Balls	Polyamide	Zamak	X				100
03146N	CARRERA 1 ADJUSTABLE PULLEY	Bulk packaging	55	28	30	28,8	12	32	+2.4/ -3.4	156°	Balls	Polyamide	Zamak	X				200
03147N	CARRERA 1 ADJUSTABLE PULLEY	Bulk packaging	55	28	30	27,3	11	30,2	+2.2/ -2.8	10.1 mm	Balls	Polyamide	Zamak	X				200
03148N	CARRERA 1 ADJUSTABLE PULLEY	Bulk packaging	45	24,5	23,6	21,7	9	26,9	+4.7/ -2.1	150°	Balls	Polyamide	Zamak	X				200
03290	CARRERA 1 ADJUSTABLE PULLEY	Bulk packaging	45	22,7	25,8	20,4	8	24,6	+2.7/ -2.1	150°	Roller	Polyamide	Zamak	X				40
03297	CARRERA 1 ADJUSTABLE PULLEY	Bulk packaging	25	28	30	28,6	11	32	+2.4/ -3.4	156°	Balls	Polyamide	Zamak	X				200
03324	CARRERA 1 ADJUSTABLE PULLEY	Bulk packaging	45	25,5	28,8	19	12	26	+3/-2.2	150°	Roller	Polyamide	Zamak	X				200
03398	CARRERA 1 ADJUSTABLE PULLEY	Bulk packaging	45	22,7	25,8	19	8	23,7	+2.7/ -2.1	150°	Balls	Polyamide	Zamak	X				100
03473	CARRERA 1 ADJUSTABLE PULLEY	Bulk packaging	55	27,7	30	26	11	30,6	+3.3/ -2.5	4 mm	Balls	Polyamide	Zamak	X				200
04560	CARRERA 1 ADJUSTABLE PULLEY	Bulk packaging	45	22,7	25	19	8	24,5	+/- 2.3	150°	Balls	Polyamide	Zamak	X				100
04571	CARRERA 1 ADJUSTABLE PULLEY	Bulk packaging	35	24,6	32	18,4	8	30,5	+2.5/ -2.2	140°	Balls	Polyamide	Zamak	X				100
06504	CARRERA 1 ADJUSTABLE PULLEY	Bulk packaging	40	22,2	23	19	8	23	+2.1/ -2.7	5 mm	Balls	Polyamide	Zamak	X				100
06955	CARRERA 1 ADJUSTABLE PULLEY	Bulk packaging	45	22,7	25,8	19	8	24,6	+2.7/ -2.1	150°	Balls	Polyamide	Zamak	X				40
00806	CARRERA 1 ADJUSTABLE PULLEY	Set of 4 pcs.	45	22,7	25,8	19	8	23,7	+2.7/ -2.1	150°	Balls	Polyamide	Zamak	X				16
03178	CARRERA 1 ADJUSTABLE PULLEY	Set of 4 pcs.	45	22,7	25	19	8	24,5	+/- 2.3	150°	Balls	Polyamide	Zamak	X				50