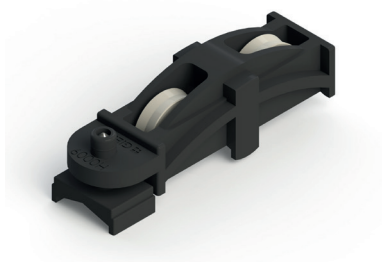


**FIXED CARRERA 2 PULLEYS**



**Functions**

Fixed pulley with two wheels for doors and windows in aluminium.

Online data sheet

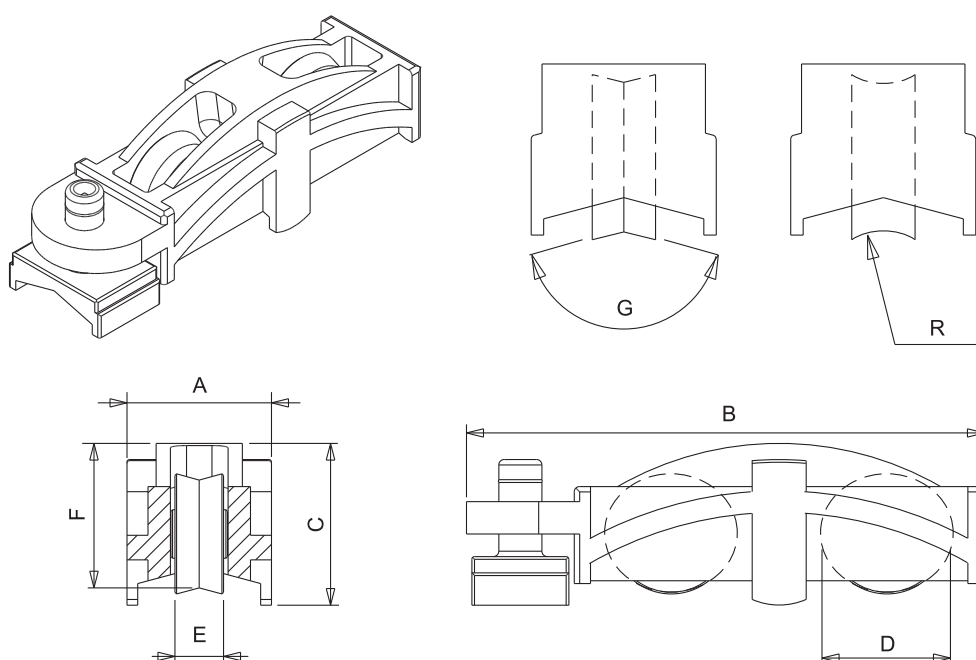


**Technical Features**

The pulley is fixed with a clamping grub screw, without requiring specific machining.  
The wheels are mounted on ball bearings and are shielded to keep the grease inside them.

**Materials**

Support in grey polyamide.  
Wheels with bearing in steel and neutral reinforced polyamide cover.  
Stainless steel mounting grubscrew.



Item code	Description	Note	Load capacity (kg)	A [mm]	C [mm]	D [mm]	E [mm]	F [mm]	G [°]	Bearing	External support	Internal support	Base Raw	Anodised Elox	Painted	Trend/Gold Brass	Pieces per pack
04559	CARRERA 2 FIXED PULLEY	Bulk packaging	90	26,8	30	19	9	26.8 (pivoting)	150°	Balls	Polyamide	-	X				100
06954	CARRERA 2 FIXED PULLEY	Bulk packaging	90	23	25,8	20	8	-	150°	Balls	Polyamide	zamac	X				40