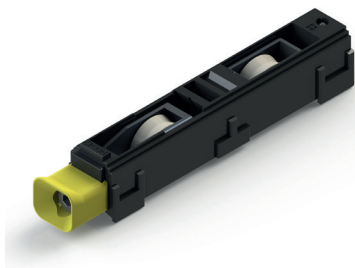


## ADJUSTABLE CARRERA 2 PULLEYS



### Functions

Adjustable pulley with two wheels for doors and windows in aluminium.

Online data sheet



### Technical Features

The pulley is fixed with a clamping grub screw, without requiring specific machining.

Micrometrically adjustable, it enables moving the sash vertically in an overall range of on average 4 mm (see adjustment column in the table).

Adjustment is easy since the adjustment screw is located inside the yellow centring element which facilitates insertion of the key. The adjustment can also be made with the sash already mounted and installed.

The wheels are normally mounted on ball bearings or needle bearings depending on the model and can be removed together with the support without having to disassemble the pulley.

The wheels with bearings are shielded to keep the grease inside them.

### Materials

Support in grey polyamide

Yellow polyamide centring element

Wheel support in Silver Plus zamak

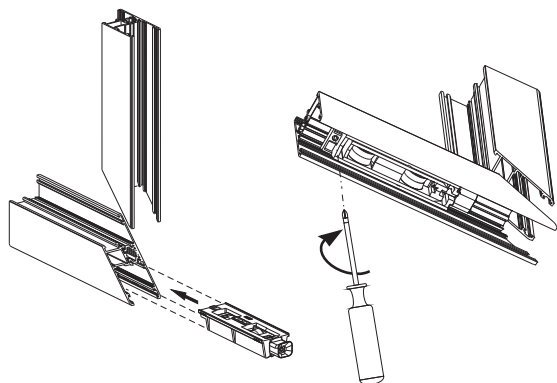
Wheel with bearing in steel and neutral reinforced polyamide cover

Mounting grub screw and adjustment screw in stainless steel

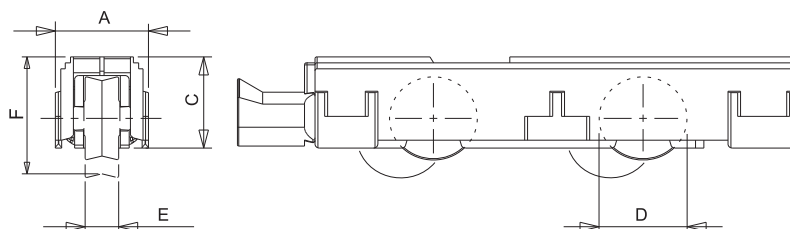
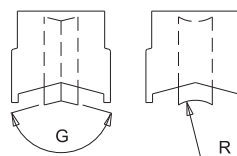
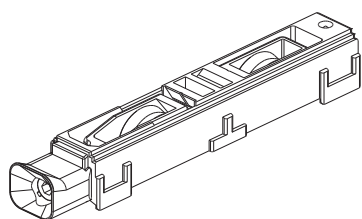
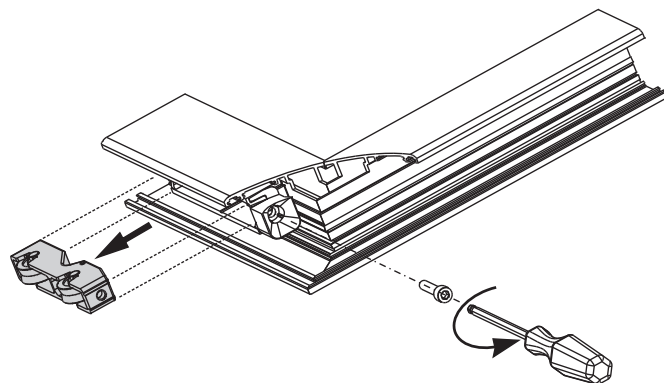
### Capacities

see table

Pulley fixing



Wheel replacement



Item code	Description	Note	Pulley Load Capacity [kg]	A [mm]	C [mm]	D [mm]	E [mm]	F [mm]	Adjustment [mm]	G [°] R [mm]	Bearing type	External support	Internal support	Base Raw	Anodised Elox	Painted	Trend/Gold Brass	Pieces per pack
02915	CARRERA 2 ADJUSTABLE PULLEY	Bulk packaging	80	25,5	26,1	27	11	29,7	+2.5/-2.5	5 mm	Balls	Polyamide	Zamak	X				100
03105	CARRERA 2 ADJUSTABLE PULLEY	Bulk packaging	90	27,4	23,6	19	8	26,6	+2.6/-2.3	150°	Balls	Polyamide	Zamak	X				100
03136N	CARRERA 2 ADJUSTABLE PULLEY	Bulk packaging	110	28	30	28,8	12	31,3	+2.6/-2.8	156°	Balls	Polyamide	Zamak	X				200
03137N	CARRERA 2 ADJUSTABLE PULLEY	Bulk packaging	110	28	30	27,3	11	29,4	+3.3/-1.7	10.1 mm	Balls	Polyamide	Zamak	X				200
03141N	CARRERA 2 ADJUSTABLE PULLEY	Bulk packaging	90	24,5	23,6	21,7	9	27	+2.3/-3	150°	Balls	Polyamide	Zamak	X				200
03291	CARRERA 2 ADJUSTABLE PULLEY	Bulk packaging	90	22,7	25,8	19	8	24,6	+2.8/-2.1	150°	Roller	Polyamide	Zamak	X				40
03298	CARRERA 2 ADJUSTABLE PULLEY	Bulk packaging	50	17,7	30	27	11	31,3	+2.6/-2.8	156°	Balls	Polyamide	Zamak	X				200
03390	CARRERA 2 ADJUSTABLE PULLEY	Bulk packaging	90	27,7	22,4	19,2	9	26,3	+2.6/-2.2	120°	Balls	Polyamide	Zamak	X				100
03397	CARRERA 2 ADJUSTABLE PULLEY	Bulk packaging	90	19	23,2	19	8	23,7	+1.4/-2.3	150°	Balls	Polyamide	Zamak	X				100
03471	CARRERA 2 ADJUSTABLE PULLEY	Bulk packaging	90	36	28,7	24,4	11	28,5	+2.9/-2.5	158°	Balls	Polyamide	Zamak	X				200
03472	CARRERA 2 ADJUSTABLE PULLEY	Bulk packaging	110	27,7	30	26	11	29	+3.5/-1	4 mm	Balls	Polyamide	Zamak	X				200
03534	CARRERA 2 ADJUSTABLE PULLEY	Bulk packaging	60	31,5	22	22,5	9	25,3	+2.5/-2.5	2.6 mm	Balls	Polyamide	Zamak	X				100
03557	CARRERA 2 ADJUSTABLE PULLEY	Bulk packaging	110	31,5	23,2	20	9	26,3	+2.3/-3	160°	Balls	Polyamide	Zamak	X				50
04542	CARRERA 2 ADJUSTABLE PULLEY	Bulk packaging	90	22,2	21	19	8	21,5	+3.5/-1	150°	Balls	Polyamide	Zamak	X				100
04546	CARRERA 2 ADJUSTABLE PULLEY	Bulk packaging	90	22,2	23	19	8	22,5	+2.6/-2.2	150°	Balls	Polyamide	Zamak	X				100
04549	CARRERA 2 ADJUSTABLE PULLEY	Bulk packaging	110	28,5	23,2	20	9	26,3	+2.3/-3	156°	Balls	Polyamide	Zamak	X				100
04563	CARRERA 2 ADJUSTABLE PULLEY	Bulk packaging	90	28,5	23,2	20	9	25,6	+2.6/-2.4	150°	Balls	Polyamide	Zamak	X				100
04572	CARRERA 2 ADJUSTABLE PULLEY	Bulk packaging	70	24,6	32	18,4	8	30,5	+2.5/-2.2	140°	Balls	Polyamide	Zamak	X				100
04600	CARRERA 2 ADJUSTABLE PULLEY	Bulk packaging	90	38,2	19,5	20	9	25	+3.5/-1.7	156°	Balls	Polyamide	Zamak	X				100
06512	CARRERA 2 ADJUSTABLE PULLEY	Bulk packaging	80	22,2	23	19	8	19,3	+2.1/-2.7	2.6 mm	Balls	Polyamide	Zamak	X				100
00801	CARRERA 2 ADJUSTABLE PULLEY	Set of 4 pcs.	90	19	23,2	19	8	27,7	+1.4/-2.3	150°	Balls	Polyamide	Zamak	X				22
02985	CARRERA 2 ADJUSTABLE PULLEY	Set of 4 pcs.	90	22,2	21	18	12	22	+2.6/-2.2	120°	Balls	Polyamide	Zamak	X				50
03116	CARRERA 2 ADJUSTABLE PULLEY	Set of 4 pcs.	110	31,5	23,2	20	9	26,3	+2.3/-2.9	156°	Balls	Polyamide	Zamak	X				50
03118	CARRERA 2 ADJUSTABLE PULLEY	Set of 4 pcs.	110	28,5	23,2	20	9	26,3	+2.3/-2.9	156°	Balls	Polyamide	Zamak	X				50
03120	CARRERA 2 ADJUSTABLE PULLEY	Set of 4 pcs.	90	22,2	21	19	8	21,5	+3.5/-1	150°	Balls	Polyamide	Zamak	X				50
03125	CARRERA 2 ADJUSTABLE PULLEY	Set of 4 pcs.	90	22,2	23	19	8	22,5	+2.6/-2.2	150°	Balls	Polyamide	Zamak	X				50
03133	CARRERA 2 ADJUSTABLE PULLEY	Set of 4 pcs.	110	28,5	23,2	20	9	26,3	+2.3/-3	156°	Balls	Polyamide	Zamak	X				50
03139	CARRERA 2 ADJUSTABLE PULLEY	Set of 4 pcs.	90	22,2	23	19	8	22,5	+2.6/-2.2	150°	Balls	Polyamide	Zamak	X				50
03183	CARRERA 2 ADJUSTABLE PULLEY	Set of 4 pcs.	90	37,8	22	19	12	23,3	+3/-1.3	160°	Roller	Polyamide	Polyamide	X				20
03289	CARRERA 2 ADJUSTABLE PULLEY	Set of 4 pcs.	90	29,4	22,5	19	12	22,5	+2.5/-1.5	150°	Roller	Polyamide	Polyamide	X				50
06503	CARRERA 2 ADJUSTABLE PULLEY	Set of 4 pcs.	80	22,2	23	19	8	23	+2.1/-2.7	5 mm	Balls	Polyamide	Zamak	X				50