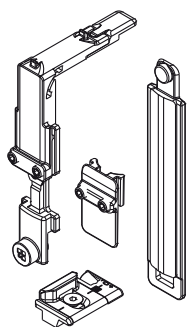


FUTURA CORNER BOLT



Functions

Corner bolt enabling the locking of secondary sashes on the top and bottom cross beams of the frame. For use on secondary sashes (additional profiles) with double channel of dimensions 15/20 mm (bottom channel).

Online data sheet

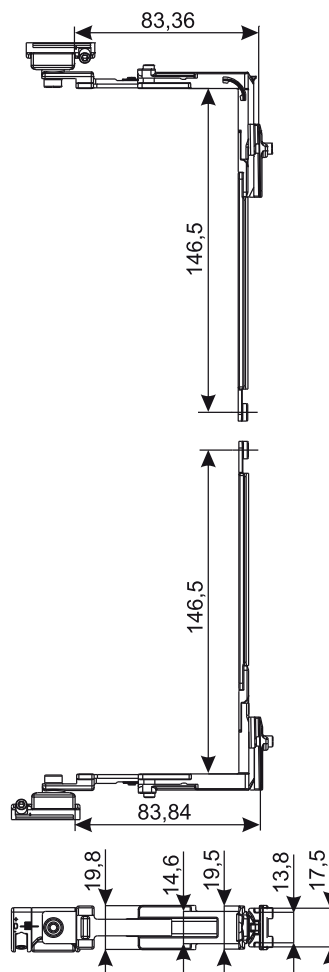
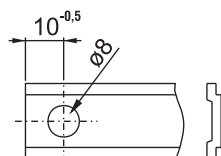
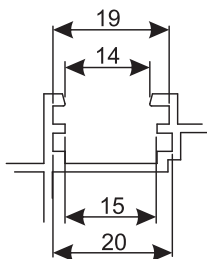
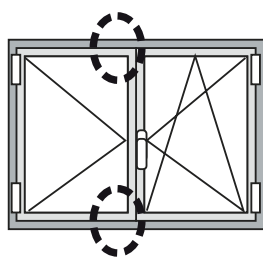
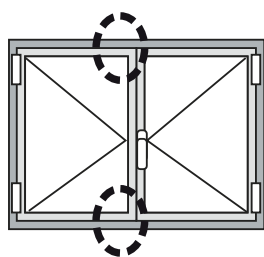


Technical Features

The bolt is equipped with an adjustable striker which allows a compression adjustment of ± 1.8 mm. The application requires the beat continuity plugs to be appropriately unloaded in order to allow the hardware to pass on the top and bottom cross beams.

Materials

Corner drive, connection rod, locking striker, drive clip in zamak GS PLUS SILVER (OVER 500h corrosion resistance)
Screws and grub screws in stainless steel



Item code	Description	Note	Base Raw	Anodised Elox	Painted	Trend/Gold Brass	Pieces per pack
04045K	FUTURA CORNER BOLT	silver plus	X				10