

## INCA BOLTS



### Functions

Bolt for tilt-and-turn secondary sash featuring zamak terminals equipped with adjustable lock strikers for the pawls of the corner drive and of the bolt tip of the tilt-and-turn window.

Online data sheet



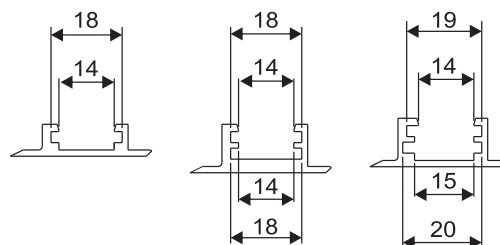
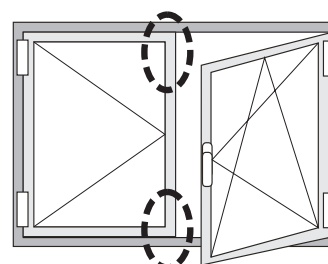
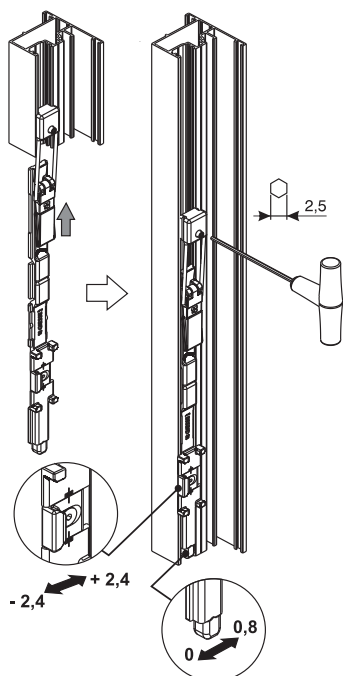
### Technical Features

The strikers supplied enable the same adjustment of  $\pm 2.4$  mm. Specifically designed for use on assembled profiles with a single channel, although also compatible with double channel profiles. The two terminals are equipped with a steel bolt tip that can be combined with an eccentric bushing for closing position adjustment.

### Materials

Terminal, bolt tip and fixing block in GS Silver Plus zamak.  
 Connection rod and bolt tip in polyamide.  
 Mounting grubscrew for bolt and bolt tip in zinc plated steel.

Assembly and adjustment



Item code	Description	Note	Base Raw	Anodised Elox	Painted	Trend/Gold Brass	Pieces per pack
04280	INCA BOLT		X				5
04282K	T/T FUTURA SECONDARY SASH BOLT	E.G. - frame 14/18 - silver plus	X				5
04287	INCA BOLT	METRA - 13.6/16.8	X				5