

MAYA BOLTS

Functions

One-way lever bolt with reduced size for door profile.

Online data sheet



Technical Features

Bolt suited for mounting on doors for frequent use (use category 4 - very heavy duty use - In compliance with EN12051: 1999).

Reversible it is applied on the profile, both at the top and at the bottom of the door.

Bolt tip with features of high break-in security.

Bolt tip stroke 21 mm.

Section of the bolt tip 8x5 mm.

Fixing to the profile with self-tapping screws.

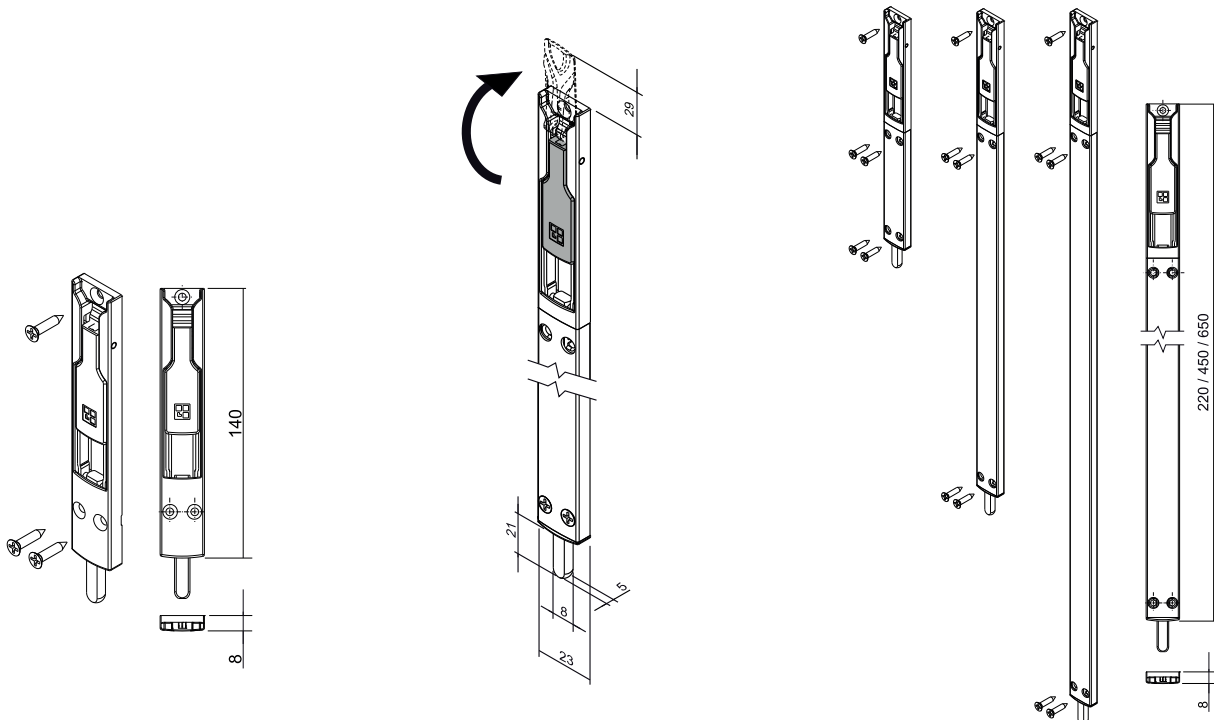
Modular protective cover in aluminium.

Available in lengths of 140, 220, 450 and 650 mm to choose from depending on the best position for the thrust lever, depending on the height of the door.

Possible also in various other lengths, depending on the particular application needs.

Materials

- Body made of painted zamak
- Zamak operating lever with polished chrome (high corrosion resistance)
- Extruded aluminium modular cover
- Spring, connecting brackets, pins and fixing screws made of stainless steel
- Stainless steel bolt tip (high corrosion resistance)



Item code	Description	Length	Dimensions bolt tip	Base Raw	Anodised Elox	Painted	Trend/Gold Brass	Pieces per pack
02080	MAYA BOLT	140 mm	8x5 mm			X		10
02081	MAYA BOLT	220 mm	8x5 mm			X		10
02082	MAYA BOLT	450 mm	8x5 mm			X		10
02083	MAYA BOLT	650 mm	8x5 mm			X		10