



## PESOS BOLTS

### Functions

One-way recessed lever bolt for doors.  
To be combined with the aluminium front cover.

Online data sheet



### Technical Features

Bolt suited for mounting on doors for frequent use.

Reversible it is applied on the profile, both at the top and at the bottom of the door.

The lever operation allows you to gradually exert a great force on the bolt tip.

Bolt tip stroke 18 mm.

It is recessed, by machining the profile.

Prepared for a double drilling diameter, it uses operating rods of  $\varnothing 6$  mm or  $\varnothing 8$  mm.

Can be combined with the casing that can be painted in standard RAL colours to be fitted onto the body of the bolt.

The bolt can be combined:

- to the safety terminal  $\varnothing 8$  mm with cut-proof characteristics, in order to ensure a great hold on the strikers and high burglar resistance. It is joined to the bolt with an M6 threaded die cut to size by the user
- to the reversible rod guide, with double holes for rods  $\varnothing 6$  and  $\varnothing 8$  to be applied on the uprights in the case of kickplates, to keep the terminal in line inside the tubular profile.

### Materials

#### Bolt and front cover

- Body and lever made of die-cast zamak
- Tempered steel springs
- Extruded aluminium cover
- Stainless steel fixing screws

#### Security terminal

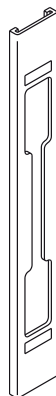
- Pin  $\varnothing 8$  made of cut-proof carbonitrided steel

#### Rod guide

- Zinc plated steel

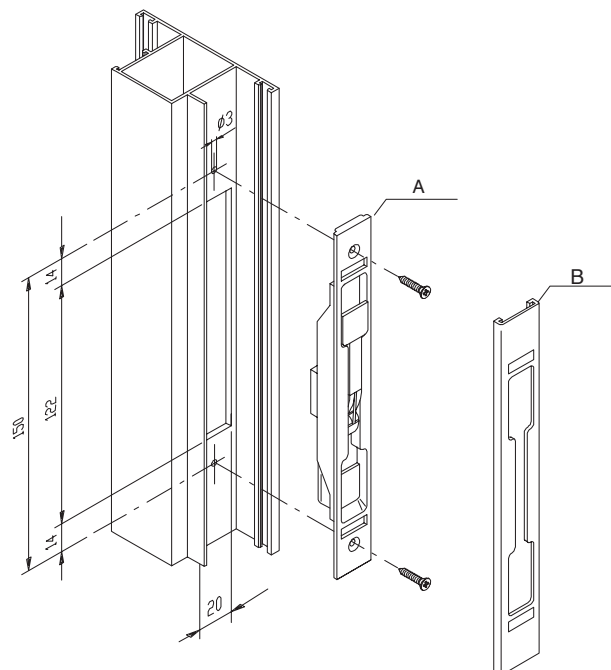


art. 02151

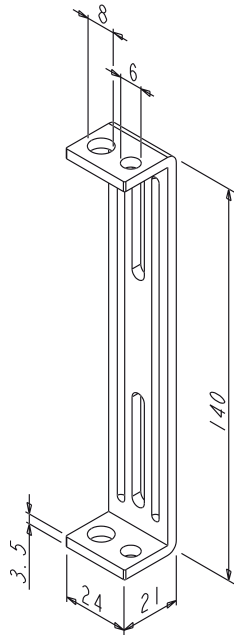


A = art. 02150

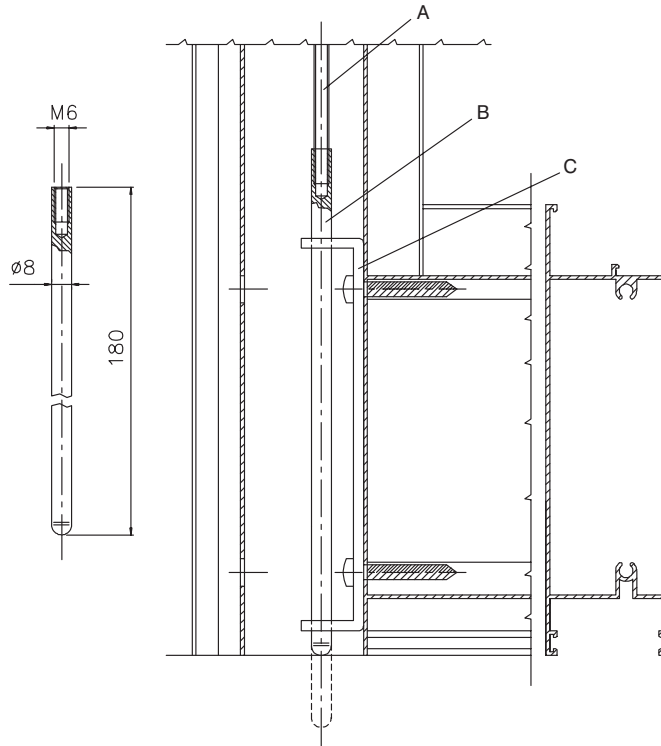
B = art. 02151



art. 02340



A = M6 threaded die  
B = terminal art. 02158  
C = rod guide art. 02340



Item code	Description	Dimensions bolt tip	Base Raw	Anodised Elox	Painted	Trend/Gold Brass	Pieces per pack
02150	PESOS BOLT	Ø6/Ø8 mm	X				10
02151	PESOS FRONT COVER		X	X	X	X	50
02158	SECURITY TERMINAL FOR PESOS	Ø8 mm	X				50
02340	GUIDE FOR ROD		X				50