

SUPERGIAP BOLTS

Functions

Direct activation bolt, especially strong, for aluminium casement window and door fixtures with central gasket seal.

Supplied in pairs.

For 20 mm groove.

Online data sheet



Technical Features

The bolt stroke is 18 mm.

Fits to the profile groove without any machining.

Once positioned, it secures with a block by tightening the pre-assembled M5 grub screw, with a 2.5 mm Allen key.

The terminal is equipped with a polyamide positioning spring.

The spring also has the feature of aiding the sliding and compensating for any extrusion tolerances or increased thickness due to painting.

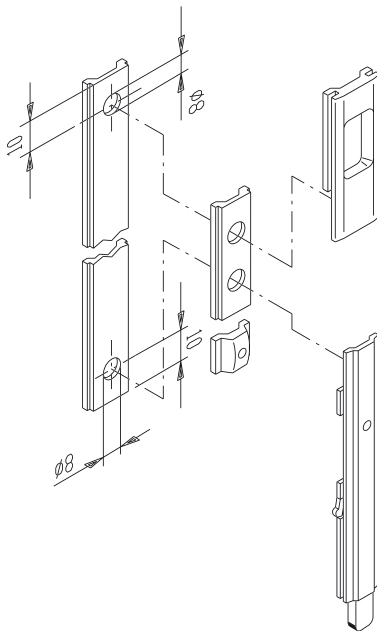
The plate can be replaced by the connection rod.

Materials

Terminal pin of zinc plated steel.

Bolt tip body in zamak.

Pull recess, plate and spring in polyamide.



| Item code | Description | Note | Base Raw | Anodised Elox | Painted | Trend/Gold Brass | Pieces per pack |
|-----------|----------------|------|----------|---------------|---------|------------------|-----------------|
| 02153 | SUPERGIAP BOLT | | X | | | | 10 |