

DOOR TOTEM BOLTS

**Functions**

One-way lever bolt for door profile.

Online data sheet

**Technical Features**

Bolt suited for mounting on doors for frequent use.
 Reversible it is applied on the profile, both at the top and at the bottom of the door.
 Bolt tip with features of high break-in security.
 Bolt tip stroke 20 mm.
 Section of the bolt tip 8x7 mm.
 Fixing to the profile with self-tapping screws.
 It is possible to extend the bolt by using the specific rod in the series, positioned between the connecting element and the terminal.

Materials

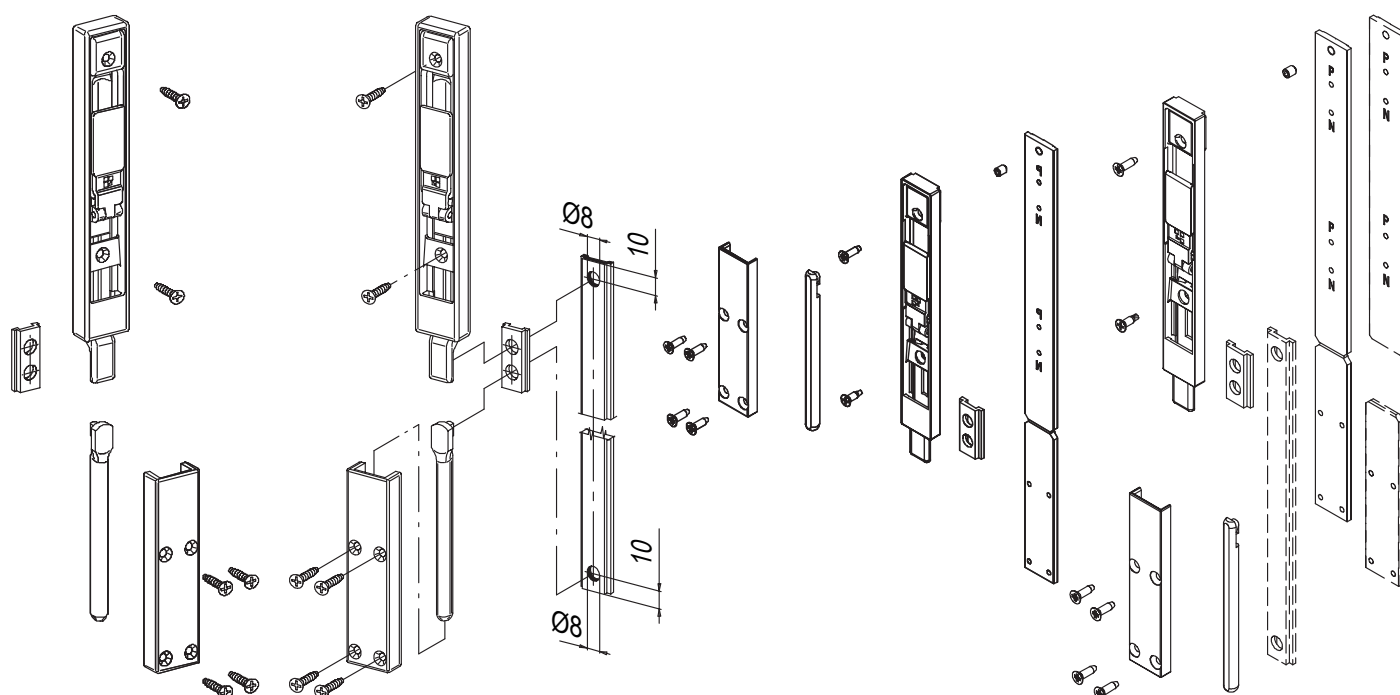
Slider and block in black painted zamak
 Body and bolt tip guide in polyamide
 Cut-proof 8x7 mm bolt tip in carbonitrided steel
 Operating lever in zamak with GS Silver Plus finish (up to 500 h corrosion resistance)
 Spring, connecting brackets and pins in stainless steel
 Polyamide connecting plate
 Black oxidized aluminium fixing plate (only for art. 02185)
 Blackened stainless steel fixing screws
 Blackened stainless steel mounting grub screw (only for art. 02185)

art. 02170

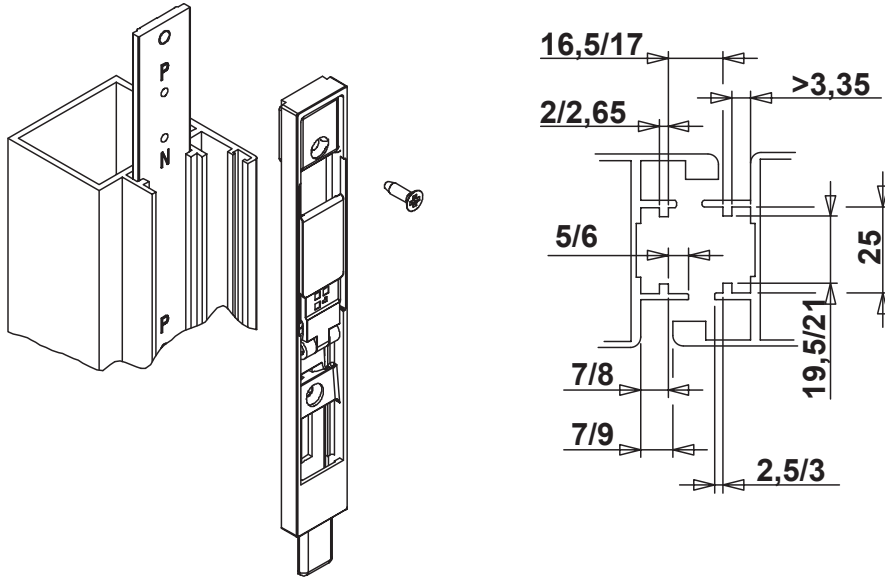
Application of extension
with art. 02170

art. 02185

Application of extension
with art. 02185



Assembly art. 02185



Item code	Description	Dimensions bolt tip	Base Raw	Anodised Elox	Painted	Trend/Gold Brass	Pieces per pack
02170	TOTEM DOOR BOLT	8x7 mm	X				10
02185	TOTEM DOOR BOLT	8x7 mm	X				10